

# IPPC1700-RE

## IPPC series

Intel® Core™ i Processor Heavy-Duty Industrial Panel PC



17"

### I/O View



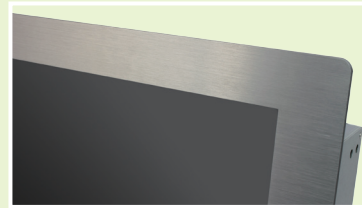
IPPC-1700-RE

## Features

- 17" Panel PC with MI953AF mini-ITX motherboard
- Resistive touch panel
- Two PCI expansion slots
- IP65 front-panel protection
- Optional DVD-ROM



- Aluminum front bezel



- AC power input



- 2 PCI riser slots



# IPPC1700-RE

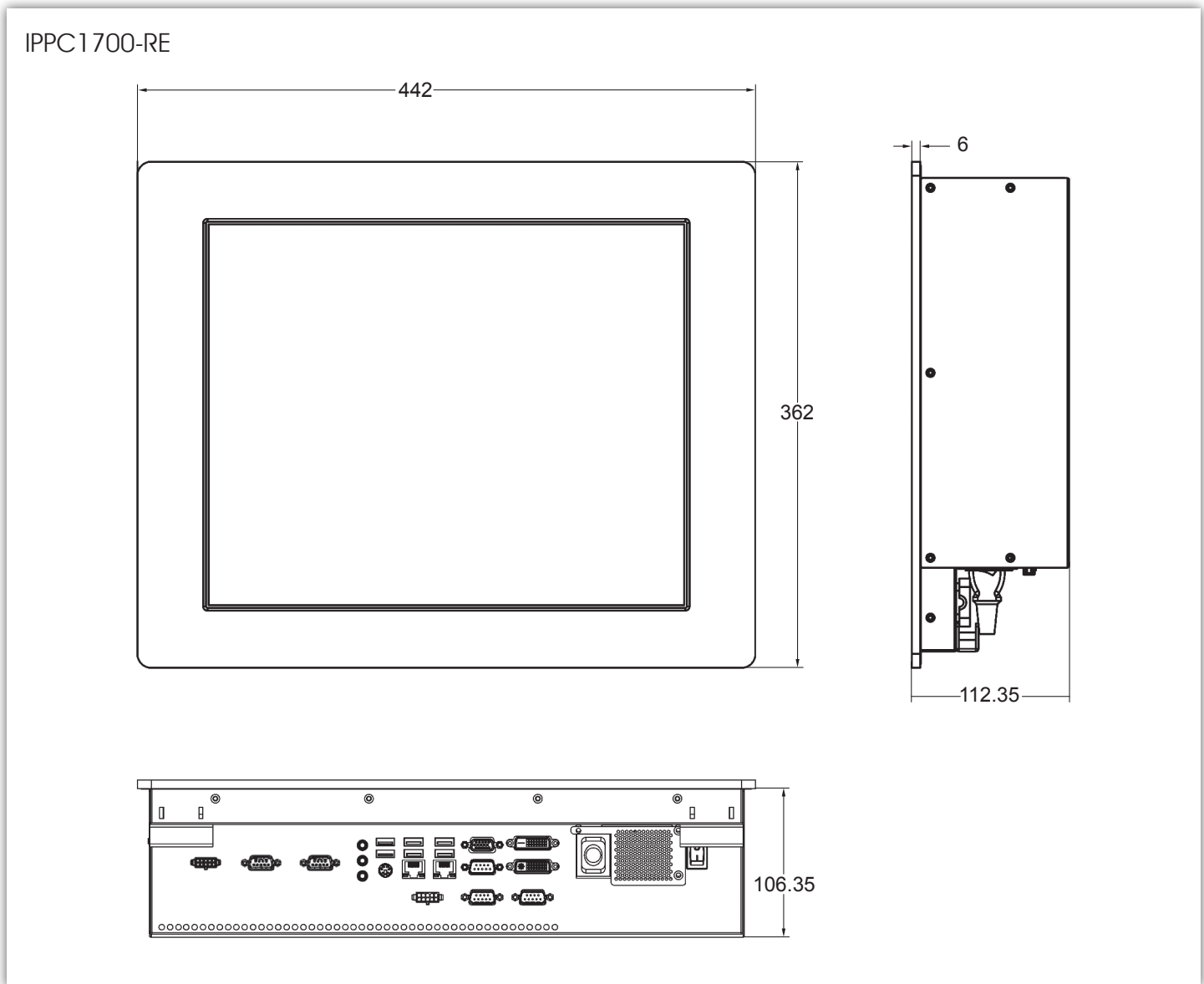
## Specifications

Model No.		IPPC1700-RE
<b>Display &amp; Touch Screen</b>	Display Size	17" TFT LCD
	Max. Resolution	1280 x 1024
	Luminance (cd/m <sup>2</sup> )	380
	Contrast	1000:1
	Max. Color	16.7M
	View Angle (H°/V°)	160/160
	Backlight Lifetime(hrs)	50000
	Touch Type	Resistive
	Touch Interface	USB
	Light Transmission (%)	80
Point of touch	1	
<b>I/O Interface</b>	USB 3.0	0
	USB 2.0	6
	RS-232/422/485 Selectable under BIOS	1
	RS-232	2
	LAN	2x GbE
	Additional Graphics	2x DVI-D 1x VGA
	Audio	1x RCAx3 for HD audio
	Digital I/O	4in / 4out
	Power Connector	AC inlet
	Power Button	Rock switch
<b>Mechanical</b>	Dimensions (mm)	442 x 362 x 112.4
	Net Weight (kgs)	9.9
<b>System</b>	Processor	Socket G1 (rPGA 989) for Intel® Core™ i7 / Core™ i5 processors
	Memory	2x DDR3 1066MHz SO-DIMM, Max. 8GB
	Thermal Design	With Fan
	Membrane Control	None
	Built-in Speaker/MIC	None
<b>Expansion</b>	Internal Expansion Bus	1x Mini PCI-E
	Expansion Slot	2x PCI slot (optional)
	Wireless	None
<b>Storage Space</b>	HDD	1x Slim SATA Combo DVD (optional) 1x 2.5" HDD (optional)
	Removable	None
<b>Power</b>	Power Input Range	110V / 220V AC
<b>Construction</b>	Chassis Material	SGCC
	Color (Front/Back)	Silver / Silver
	IP Rating	IP65 front bezel
	Mounting	Panel mount and VESA 100x100 mm Rack mount (optional)
<b>Environment</b>	Operating Temperature	0°C ~ 40°C
	Storage Temperature	-10°C ~ 60°C
	Storage Humidity	10%~90% @ 40°C (non-condensing)
	Certification	CE/FCC Class A
	Operating System Support	Windows Embedded Standard 7, Windows 7 Pro for Embedded

1 Stainless Steel Panel PC | 2 All-in-one Panel PC with Riser Card Expansion | 3 Compact Panel PC | 4 Outdoor Panel PC | 5 Heavy-duty Industrial Panel PC | 6 ARM-Based Panel PC | 7 ARM-Based HMI

# IPPC1700-RE

## Dimensions



## Ordering Information

IPPC1700-RE

17" Panel PC with MI953AF, Socket G1 for Intel® Core™ i7/i5 CPU, 2x DDR3 SO-DIMM, Resistive Touch

1 Stainless Steel Panel PC

2 All-in-one Panel PC with Riser Card Expansion

3 Compact Panel PC

4 Outdoor Panel PC

5 Heavy-duty Industrial Panel PC

6 ARM-Based Panel PC

7 ARM-Based HMI