

# **MPT-3000R / RHV**

## **Multi-Purpose Railway System**

### **User's Manual**

Version 1.3  
(Mar. 2018)



## **Copyright**

© 2018 IBASE Technology, Inc. All rights reserved.

No part of this publication may be reproduced, copied, stored in a retrieval system, translated into any language or transmitted in any form or by any means, electronic, mechanical, photocopying, or otherwise, without the prior written consent of IBASE Technology, Inc. (hereinafter referred to as "IBASE").

## **Disclaimer**

IBASE reserves the right to make changes and improvements to the products described in this document without prior notice. Every effort has been made to ensure the information in the document is correct; however, IBASE does not guarantee this document is error-free. IBASE assumes no liability for incidental or consequential damages arising from misapplication or inability to use the product or the information contained herein, nor for any infringements of rights of third parties, which may result from its use.

## **Trademarks**

All the trademarks, registrations and brands mentioned herein are used for identification purposes only and may be trademarks and/or registered trademarks of their respective owners.

## Compliance

### CE

This product has passed CE tests for environmental specifications and limits. This product is in accordance with the directives of the Union European (EU). If users modify and/or install other devices in this equipment, the CE conformity declaration may no longer apply.

### FCC

This product has been tested and found to comply with the limits for a Class B device, pursuant to Part 15 of the FCC Rules. These limits are designed to provide reasonable protection against harmful interference in a residential installation. This equipment generates, uses and can radiate radio frequency energy and, if not installed and used in accordance with manufacturer's instructions, may cause harmful interference to radio communications.

### WEEE



This product must not be disposed of as normal household waste, in accordance with the EU directive of for waste electrical and electronic equipment (WEEE - 2012/19/EU). Instead, it should be disposed of by returning it to a municipal recycling collection point. Check local regulations for disposal of electronic products.

### Green IBASE



This product is compliant with the current RoHS restrictions and prohibits use of the following substances in concentrations exceeding 0.1% by weight (1000 ppm) except for cadmium, limited to 0.01% by weight (100 ppm).

- Lead (Pb)
- Mercury (Hg)
- Cadmium (Cd)
- Hexavalent chromium (Cr6+)
- Polybrominated biphenyls (PBB)
- Polybrominated diphenyl ether (PBDE)

## Important Safety Information

Carefully read the precautions before using the device.

### Environmental conditions:

- Lay the device horizontally on a stable and solid surface in case the device may fall, causing serious damage.
- Leave plenty of space around the device and do not block the openings for ventilation. NEVER DROP OR INSERT ANY OBJECTS OF ANY KIND INTO THE VENTILATION OPENINGS.
- Slots and openings on the chassis are for ventilation. Do not block or cover these openings. Make sure you leave plenty of space around the device for ventilation. NEVER INSERT OBJECTS OF ANY KIND INTO THE VENTILATION OPENINGS.
- Use this product in environments with ambient temperatures between -40°C and 70°C for SSD, and between -20°C and 50°C for HDD.
- DO NOT LEAVE THIS DEVICE IN AN ENVIRONMENT WHERE THE STORAGE TEMPERATURE MAY GO BELOW -40°C OR ABOVE 85°C. This could damage the device. The device must be used in a controlled environment.

### Care for your iBASE products:

- Before cleaning the device, turn it off and unplug all cables such as power in case a small amount of electrical current may still flow.
- Use neutral cleaning agents or diluted alcohol to clean the device chassis with a cloth. Then wipe the chassis with a dry cloth.
- Vacuum the dust with a computer vacuum cleaner to prevent the air vent or slots from being clogged.



## WARNING

### Attention during use:

- Do not use this product near water.
- Do not spill water or any other liquids on your device.
- Do not place heavy objects on the top of the device.
- Operate this device from the type of power indicated on the marking label. If you are not sure of the type of power available, consult your distributor or local power company.
- Do not walk on the power cord or allow anything to rest on it.
- If you use an extension cord, make sure that the total ampere rating of the product plugged into the extension cord does not exceed its limits.

### Avoid Disassembly

You are not suggested to disassemble, repair or make any modification to the device. Disassembly, modification, or any attempt at repair could generate hazards and cause damage to the device, even bodily injury or property damage, and will void any warranty.



## CAUTION

Danger of explosion if internal lithium-ion battery is replaced by an incorrect type. Replace only with the same or equivalent type recommended by the manufacturer. Dispose of used batteries according to the manufacturer's instructions.

## Warranty Policy

- **IBASE standard products:**

24-month (2-year) warranty from the date of shipment. If the date of shipment cannot be ascertained, the product serial numbers can be used to determine the approximate shipping date.
- **3<sup>rd</sup>-party parts:**

12-month (1-year) warranty from delivery for the 3<sup>rd</sup>-party parts that are not manufactured by IBASE, such as CPU, memory, HDD, power adapter, panel and touchscreen.
- \* PRODUCTS, HOWEVER, THAT FAILS DUE TO MISUSE, ACCIDENT, IMPROPER INSTALLATION OR UNAUTHORIZED REPAIR SHALL BE TREATED AS OUT OF WARRANTY AND CUSTOMERS SHALL BE BILLED FOR REPAIR AND SHIPPING CHARGES.

## Technical Support & Services

1. Visit the IBASE website at [www.ibase.com.tw](http://www.ibase.com.tw) to find the latest information about the product.
2. If you need any further assistance from your distributor or sales representative, prepare the following information of your product and elaborate upon the problem.
  - Product model name
  - Product serial number
  - Detailed description of the problem
  - The error messages in text or in screenshots if there is any
  - The arrangement of the peripherals
  - Software in use (such as OS and application software, including the version numbers)
3. If repair service is required, you can download the RMA form at <http://www.ibase.com.tw/english/Supports/RMAService/>. Fill out the form and contact your distributor or sales representative.

# Table of Contents

---

<b>Compliance</b> .....	<b>iii</b>
<b>Important Safety Information</b> .....	<b>iv</b>
<b>WARNING</b> .....	<b>iv</b>
<b>CAUTION</b> .....	<b>v</b>
<b>Warranty Policy</b> .....	<b>v</b>
<b>Technical Support &amp; Services</b> .....	<b>v</b>
<b>Chapter 1 General Information</b> .....	<b>1</b>
1.1 Introduction .....	2
1.2 Features.....	2
1.3 Packing List .....	3
1.4 Optional Accessories .....	3
1.5 Specifications.....	4
1.6 Overview.....	6
1.7 Fuse Dimensions .....	8
1.8 Dimensions .....	9
<b>Chapter 2 Hardware Configuration</b> .....	<b>11</b>
2.1 Essential Installations.....	12
2.1.1 Memory Installation .....	12
2.1.2 Storage Installation.....	14
2.1.3 CFast & Micro-SIM Card Installation.....	17
2.1.4 Mini-PCIe & M.2 Network Cards Installation .....	18
2.1.5 WiFi / 3G / 4G Antenna Installation.....	19
2.1.6 Mounting Brackets Installation.....	20
2.1.7 Pinout for M12 Connectors (Power Input, USB 2.0, LAN) .....	22
2.2 Setting the Jumpers .....	24
2.2.1 How to Set Jumpers .....	24
2.3 Jumper & Connector Locations on Motherboard .....	25
2.4 Jumpers Quick Reference.....	27
2.4.1 COM1, COM2 Port RS-232 Selection (JP1, JP2).....	27
2.4.2 ME Register Clearance (JP3).....	28
2.4.3 CMOS Data Clearance (JP4).....	28
2.5 Connectors Quick Reference .....	29

2.5.1	Digital I/O Port (CN1)	30
2.5.2	DVI-D Port (CN2)	30
2.5.3	LAN Port (J1, J2)	31
2.5.4	USB 2.0 Port (J3, CN15)	31
2.5.5	Audio Jack (CN6, CN13, CN14)	31
2.5.6	SATA II Connector (CN7)	32
2.5.7	CFast Connector (CN9)	32
2.5.8	USB 3.0 Port (CN10)	32
2.5.9	SIM Card Slot (CN11, CN12)	33
2.5.10	COM Port Connector (COM1 ~ COM4)	33
2.5.11	SATA HDD Power Connector (J4)	34
2.5.12	CRT Connector (J5)	34
2.5.13	M.2 (M) SATA Interface (J6)	35
2.5.14	M.2 (E) USB2.0 / PCIe (x1) Interface (J7)	35
2.5.15	DDR3L SO-DIMM Socket (J9, J10)	35
2.5.16	Future Connector for CAN Module Connection (J11)	36
2.5.17	M.2(B) USB2.0 Interface (J13)	36
2.5.18	Half Mini PCIe USB2.0 Connector (J18)	37
2.5.19	Full Mini PCIe USB2.0 / PCIe (x1) Connector (J19)	37
2.5.20	Power Module Interface (PCIE1)	37
2.5.21	Digital IO Pull High to +5V Switch (SW1)	38
2.5.22	Reset Button (SW2)	38

### **Chapter 3 Driver Installation ..... 39**

3.1	Introduction	40
3.2	Intel® Chipset Software Installation Utility	40
3.3	VGA Driver Installation	42
3.4	HD Audio Driver Installation	43
3.5	LAN Driver Installation	44
3.6	Intel® Trusted Execution Engine Installation	46
3.7	Intel® Serial I/O Driver Installation	47
3.8	G-Sensor Driver Installation	48

### **Chapter 4 BIOS Setup ..... 50**

4.1	Introduction	51
4.2	BIOS Setup	51
4.3	Main Settings	52
4.4	Advanced Settings	53
4.4.1	CSM Configuration	54
4.4.2	ACPI Settings	55
4.4.3	Digital I/O Configuration	56

4.4.4	Power Board Configuration.....	57
4.4.5	Super IO Configuration .....	58
4.4.6	Hardware Monitor .....	59
4.4.7	CPU Configuration.....	60
4.4.8	CPU PPM Configuration .....	61
4.4.9	SATA Configuration .....	62
4.4.10	USB Configuration .....	63
4.5	Chipset Settings.....	64
4.5.1	North Bridge .....	64
4.6	Security Settings .....	65
4.7	Boot Settings.....	66
4.8	Save & Exit Settings.....	67
<b>Appendix .....</b>		<b>68</b>
A.	I/O Port Address Map.....	69
B.	Interrupt Request Lines (IRQ) .....	69
C.	Watchdog Timer Configuration.....	70
D.	Software Development Kit for WDT.DLL .....	74
E.	Motherboard MCU ISP Specifications .....	80

# Chapter 1

## General Information

The information provided in this chapter includes:

- Features
- Packing List
- Specifications
- Overview
- Dimensions

## 1.1 Introduction

The MPT-3000R / RHV is a product series of IBASE embedded computing system that is railway compliant. It is a robust, rugged and fanless design with an Intel®-Atom™ E3845 processor and an Intel®-I210 Ethernet controller. This product provides high-speed data transmission and reliable connection when subject to shock or vibration. It is able to be operated at the ambient operating temperature ranging from -40 ~ 70 °C, and even from -40 ~ 85 °C for storage.






Photo of MPT-3000R

## 1.2 Features

- Intel® Atom™ E3845 processor and I210 Ethernet Controller
- EN50155 certified
- Fanless design
- Robust M12 connection for dual Gigabit Ethernet
- Dual SIM slots for WWAN redundancy
- Removable 2.5" drive bay and CFAST slots
- Rich I/O interfaces for wireless, SSD, GPS, WWAN and add-on card expansion
- Ignition power control
- Wide-range voltage GPIO interface

### 1.3 Packing List

Your product package should include the items listed below. If any of the items below is missing, contact the distributor or the dealer from whom you purchased the product.

Item	Q'ty	IBASE P/N
MPT-3000R / MPT-3000RHV	1	--
Mounting Bracket	2	--
GPIO Matching Connector (8 pins) (DINKLE EC350VM-08P, 8 pins)	1	C1216EC3508103000P
Thermal Pad (70 x 20 x 5.5 mm) * Bigger, for M.2 SSD module card	1	C1401070020055000P
Thermal Pad (20 x 20 x 5.5 mm) * Smaller, for M.2 WiFi module card	1	C1401020020055000P
Round Head Screw (4 for Mounting Bracket, 1 for M.2network Module Card, 1 for spare)	 6	H02306110122001N0P
Flat Head Screw for Mini PCIe Card	 2	H02203511122000N0P
Screw for SSD (if not pre-installed)	 4	H0230561B710BN000P

### 1.4 Optional Accessories

IBASE provide optional accessories as follows. Please contact us or your dealer if you need any.

Item	IBASE P/N
Thermal Pad (70 x 20 x 1.5 mm)	C1401070020055000P
Thermal Pad (20 x 20 x 5.5 mm)	C1401020020055000P
RTC Battery	C272113012020B100P
Fuse for MPT-3000R	C2309001151058000P
Fuse for MPT-3000RHV	C2313000501400100P
M12 Power Cable	C501PW39904121000P
M12 USB2.0 Cable	C501USB1130A32000P
M12 to RJ45 Cable	A012CB01200101000P
2.5" MLC SSD (64 GB)	A002SSDSA064G2524P
M.2 MLC SSD (128 GB)	A002SSDM2S128G200P
MLC CFast (8 GB)	A008CFG0080400200P

## 1.5 Specifications

Product Name	MPT-3000R	MPT-3000RHV
<b>System</b>		
<b>Motherboard</b>	MBT-3001R	
<b>Operating System</b>	<ul style="list-style-type: none"> <li>• Windows 7 / 8.1 (32-bit &amp; 64-bit)</li> <li>• Windows Embedded 8</li> <li>• Linux Fedora</li> </ul>	
<b>CPU</b>	Intel® Atom™ E3845 processor (2 MB L2, 1.91 GHz)	
<b>Chipset</b>	Integrated	
<b>Memory</b>	2 x DDR3L-1333 SO-DIMM 2GB, upgradable to 8 GB	
<b>Graphics</b>	Intel® HD graphics Gen. 7 with 4EU Supports DX 11, OGL 3.0, OCL 1.2, OGL ES 2.0	
<b>Super I/O</b>	Fintek F81866AD	
<b>Storage</b>	<ul style="list-style-type: none"> <li>• 2.5" drive bay for SSD / HDD</li> <li>• M.2 (M) slot for M.2 SATA (NGFF)</li> </ul> <p>* M.2 SATA (NGFF) is the storage interface by default. If you use SSD/HDD alternatively, remove the M.2 SATA card installed. Otherwise the SSD/HDD will not be detected.</p>	
<b>Audio Codec</b>	Realtek ALC662, two-way audio	
<b>Power Supply</b>	DC 24V with IGN control	DC 72/110V with IGN control
<b>Fuse</b>	Littlefuse® TAC ATO® Style Blade 15A, 58V DC	Littelfuse® Time-lag Fuse 477 series 5A, 400V DC
<b>BIOS</b>	AMI BIOS	
<b>Watchdog</b>	Watchdog Timer 256 segments, 0, 1, 2...255 sec/min	
<b>Chassis</b>	Aluminum, black	
<b>Mounting</b>	Custom mounting rail	
<b>Dimensions (W x H x D)</b>	256 x 68 x 182 mm (10.08" x 2.68" x 7.17")	
<b>Net Weight</b>	2.55 kg (5.62 lb)	
<b>Certificate</b>	EN50155:2007, EN50153:2014, EN50121-3-2:2015 CE, FCC	
<b>I/O Ports</b>		
<b>LAN</b>	2 x GbE LAN (M12 type)	
<b>USB</b>	<ul style="list-style-type: none"> <li>• 1 x USB 3.0</li> <li>• 3 x USB 2.0 (Two are M12 type)</li> </ul>	

<b>SSD</b>	2 x 2.5" drive bay	
<b>SATA</b>	2 x SATA III port	
<b>Serial</b>	3 x COM ports: <ul style="list-style-type: none"> <li>• COM1: RS-232/422/485</li> <li>• COM2 &amp; COM3: RS-232 only</li> </ul> * COM3 is optional with CAN.	3 x COM ports: <ul style="list-style-type: none"> <li>• COM1: RS-232/422/485</li> <li>• COM2 &amp; COM3: RS-232 only</li> </ul> * COM3 is optional with VGA.
<b>Display</b>	<ul style="list-style-type: none"> <li>• 1 x DVI-D, up to 1920 x 1080</li> <li>• 1 x VGA, up to 1920 x 1080</li> </ul>	
<b>Digital I/O</b>	6 digital I/O with 24V input tolerance * Define the I/O direction in <b>BIOS &gt; Advanced Settings &gt; Digital IO Configuration</b> . * You can use IBase's software development kit (SDK) to configure GPIO in the operating system. For further information about the SDK, refer to <i>Appendix D Software Development Kit for WDT.DLL</i> in this manual.	
<b>CFast</b>	1 x CFast connector	
<b>SIM</b>	2 x Micro-SIM card slot	
<b>Audio Jack</b>	2 x Microphone Input 2 x Line-out	
<b>Expansion</b>	<ul style="list-style-type: none"> <li>• 1 x Mini PCIe slot (full-sized) with USB 2.0 &amp; PCIe</li> <li>• 1 x Mini PCIe slot (half-sized) with USB 2.0</li> <li>• 1 x M.2 (M) slot (2280) with SATA for SSD only</li> <li>• 1 x M.2 (E) slot (2230) with PCIe &amp; USB for WLAN</li> <li>• 1 x M.2 (B) slot (3042) with PCIe &amp; USB for WWAN</li> </ul>	
<b>Environment</b>		
<b>Temperature</b>	<ul style="list-style-type: none"> <li>• <b>Operating:</b> SSD: -40 ~ 70 °C (-40 ~ 158 °F) HDD: -20 ~ 50°C (-4 ~ 122 °F)</li> <li>• <b>Storage:</b> --40 ~ 85 °C (-40 ~ 185 °F)</li> </ul>	
<b>Relative Humidity</b>	10 ~ 95% (non-condensing)	
<b>Vibration Protection</b>	<ul style="list-style-type: none"> <li>• <b>Function:</b> 1 m/s<sup>2</sup>, 5 ~ 150 Hz (EN 61373)</li> <li>• <b>Lifetime:</b> 7.9 m/s<sup>2</sup>, 5 ~ 150 Hz (EN 61373)</li> </ul>	
<b>Shock Protection</b>	50 m/s <sup>2</sup> , 30 msec (EN61373)	

All specifications are subject to change without prior notice.

## 1.6 Overview

### Front View

(MPT-3000R & MPT-3000RHV)



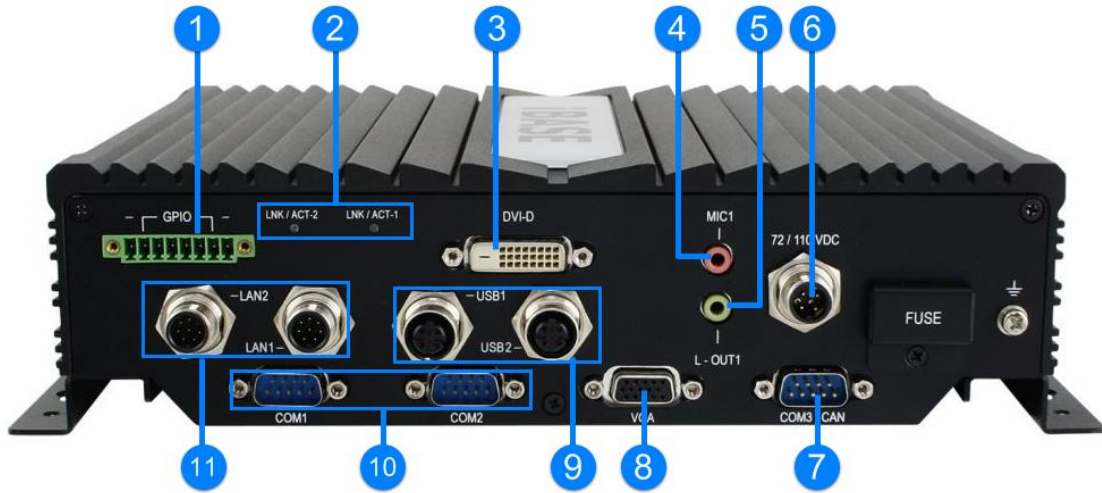
No.	Name	No.	Name
1	LED Indicators	6	USB 3.0 Receptacle
2	Reset Button	7	CFast / SIM Card Slot Door
3	Secondary Microphone Input	8	Antenna Hole
4	Secondary Line-out	9	SSD / HDD Drive Bay
5	USB 2.0 Receptacle		

Rear View

MPT-3000R:



MPT-3000RHV:



No.	Name	No.	Name
1	GPIO Connector	7	COM3 / CAN (Optional)
2	LED Indicators for LAN Ports	8	VGA Port
3	DVI-D Port	9	USB 2.0 Port (M12)
4	First Microphone Input	10	COM Ports
5	First Line-out	11	LAN Port (M12)
6	Power Input (M12)		

**Oblique View**  
(MPT-3000R & MPT-3000RHV)

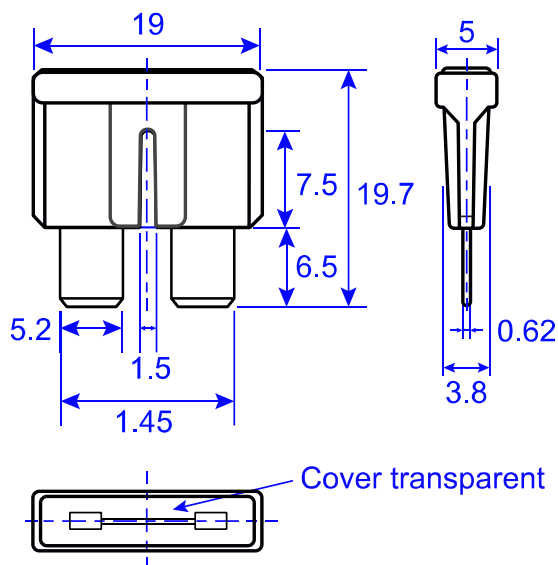


**1.7 Fuse Dimensions**

Unit: mm

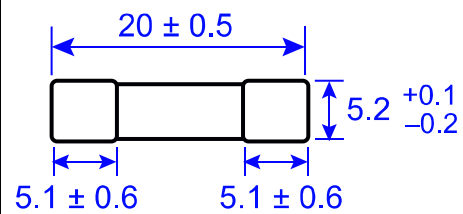
**Fuse for MPT-3000R:**

Littlefuse® TAC ATO® Style Blade  
15A, 58V DC



**Fuse for MPT-3000RHV**

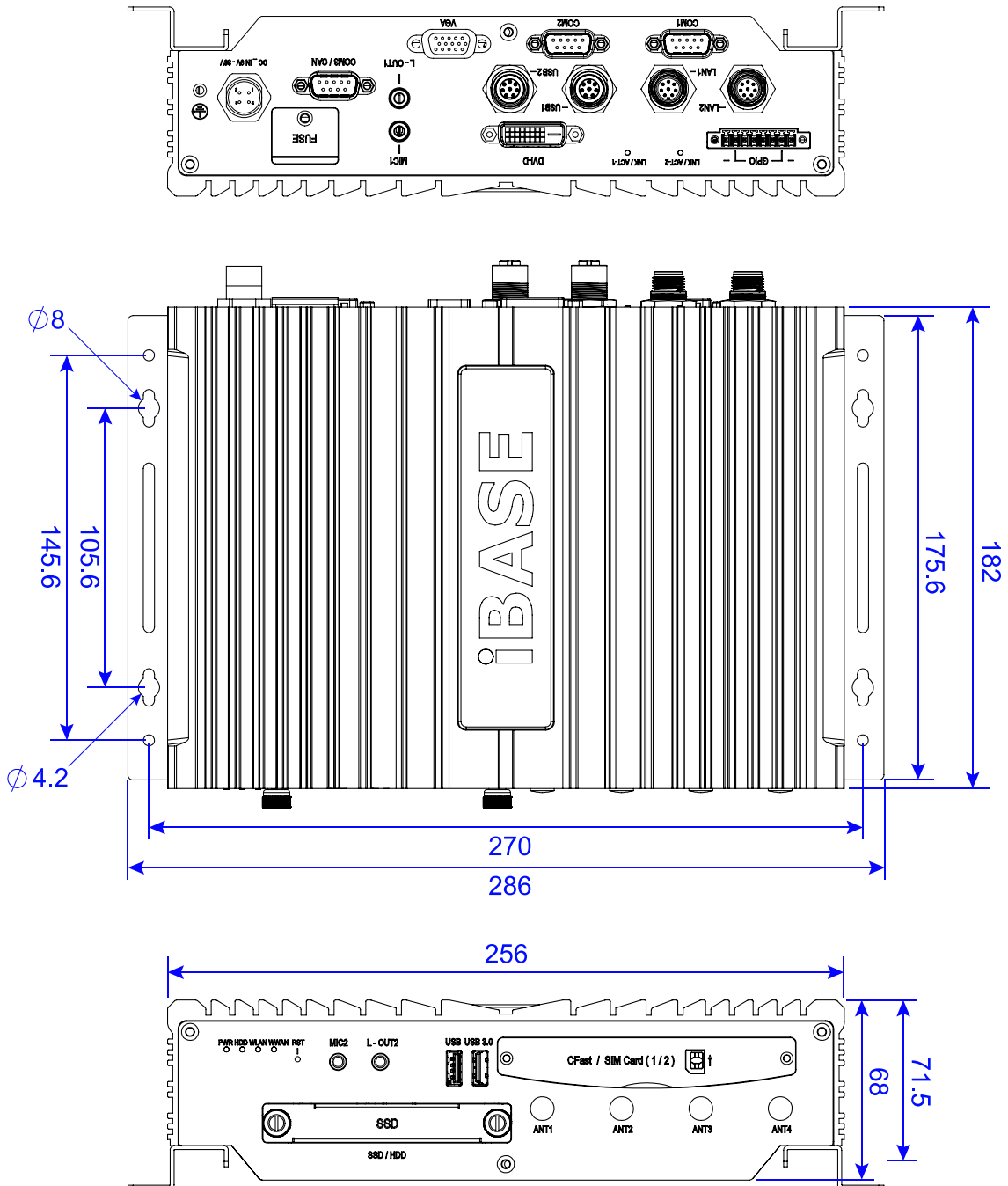
Littelfuse® Time-lag Fuse  
477 series 5A, 400V DC



## 1.8 Dimensions

Unit: mm

### MPT-3000R:





## Chapter 2

# Hardware Configuration

The information provided in this chapter includes:

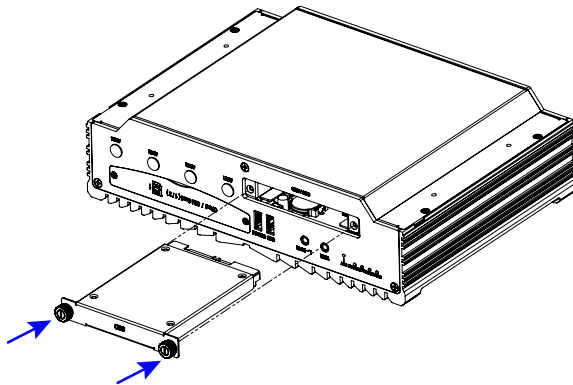
- Essential installations before you begin
- Information and locations of connectors

## 2.1 Essential Installations

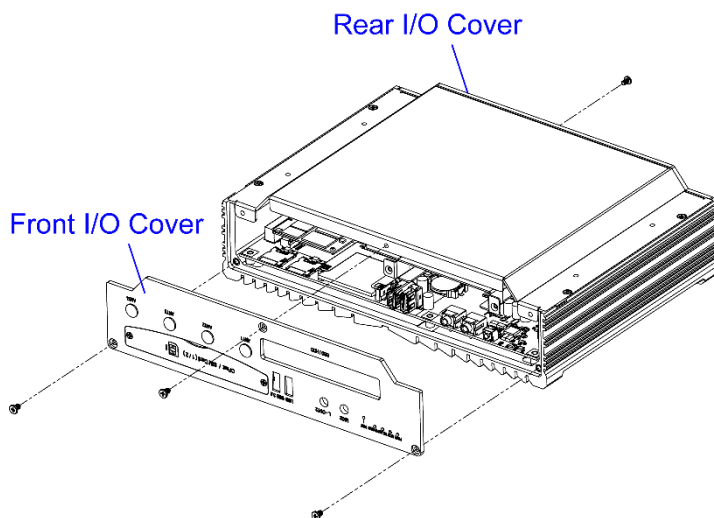
### 2.1.1 Memory Installation

The MPT-3000R supports two SO- DIMM DDR3L memory slots for a maximum total memory of 8G. To install the modules, you need to remove the HDD/SSD tray, front I/O cover and back cover. Perform the following steps below:

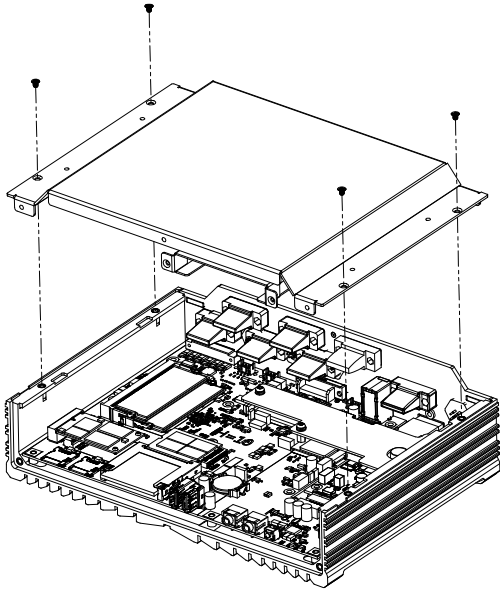
1. Release 2 screws to pull out the SSD/HDD tray.



2. Release 3 screws to remove the front I/O cover and release 1 screw from the rear I/O cover.

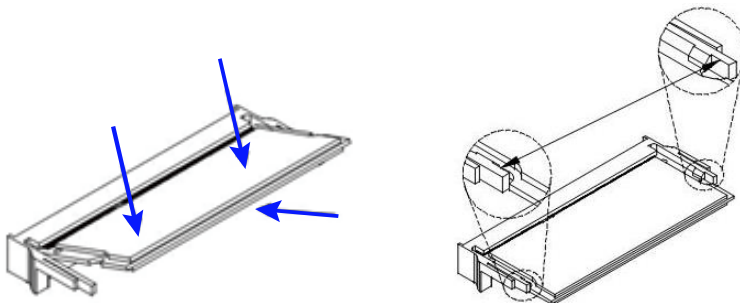


3. Release 4 screws to remove the bottom cover of the device.



4. Locate the memory slot and align the key of the memory module with that on the memory slot.
5. Insert the module slantwise and gently push the module straight down until the clips of the slot close to hold the module in place when the module touches the bottom of the slot.

To remove the module, press the clips outwards with both hands.



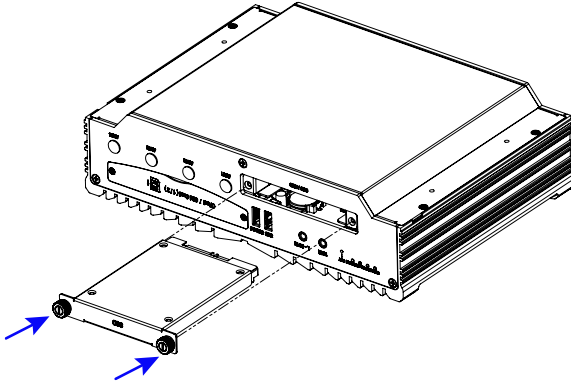
After installation, tighten 6 screws mentioned in Step 1 to secure the half bottom cover.

## 2.1.2 Storage Installation

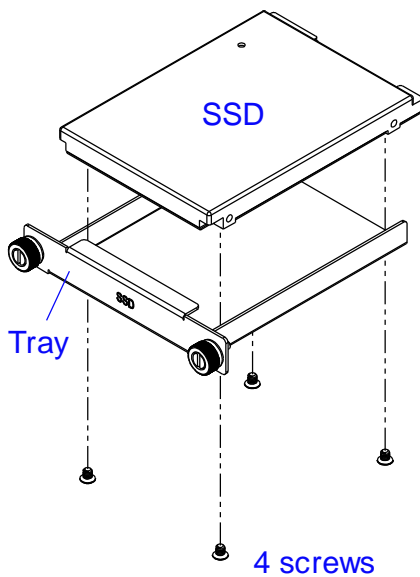
You can use either HDD, SSD or M.2 SATA card, or use both for storage. For HDD, SSD or M.2 SATA card replacement or installation, follow the instructions below.

### Installation for 2.5" SSD / HDD

1. Release 2 screws to pull out the SSD/HDD tray.



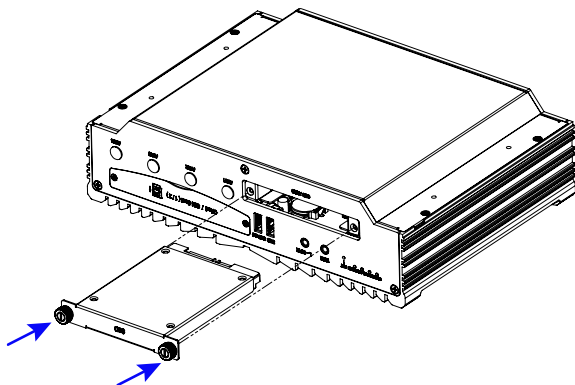
2. Put your 2.5" SSD / HDD into the tray and secure it with the supplied 4 screws.



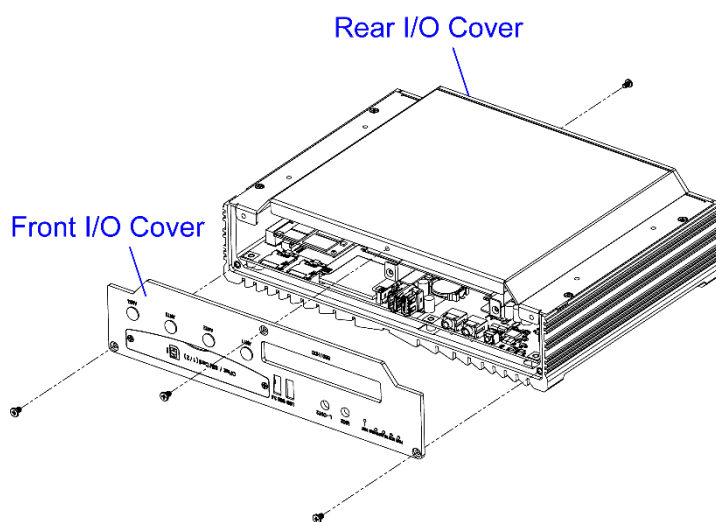
3. Put and secure the tray back to the device.

## Installation for M.2 SATA Card

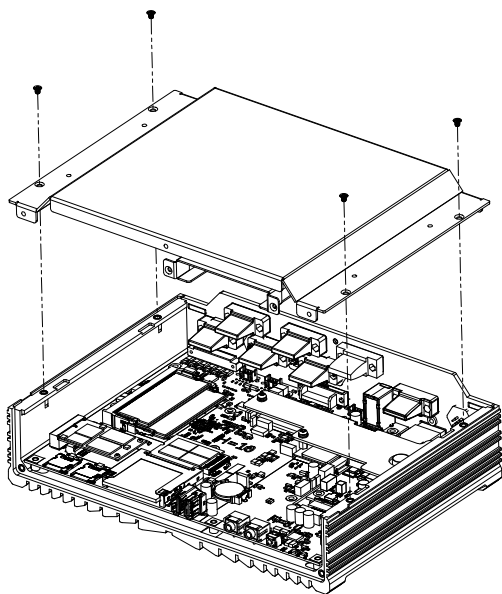
1. Release 2 screws to pull out the SSD/HDD tray.



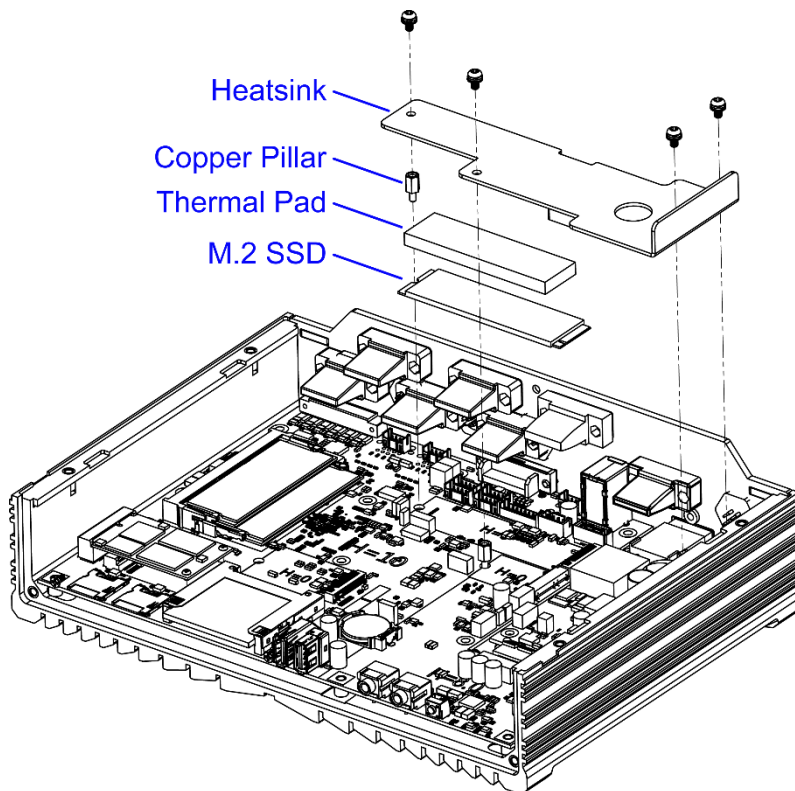
2. Release 3 screws to remove the front I/O cover and release 1 screw from the rear I/O cover.



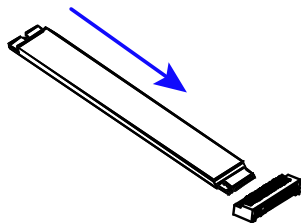
3. Release 4 screws to remove the bottom cover of the device.



#### 4. Install the M.2 SATA card.



- a.) Remove the heatsink by releasing the 4 screws and the brass standoff as shown above.
- b.) Align the key of the M.2 card to the M.2 interface, and insert the card slantwise.

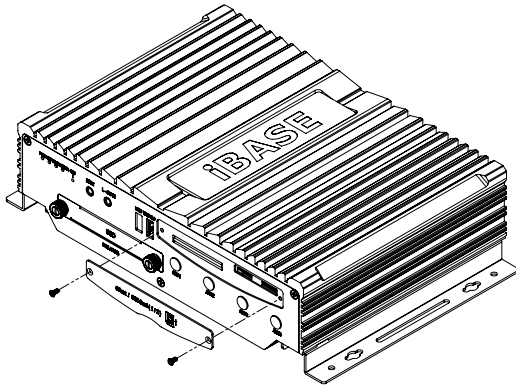


- c.) Push the M.2 card down and fix the card with brass standoff you released.
- d.) Put the thermal pad (the bigger one) onto the M.2 card and secure the heatsink back with 4 round head screws. .

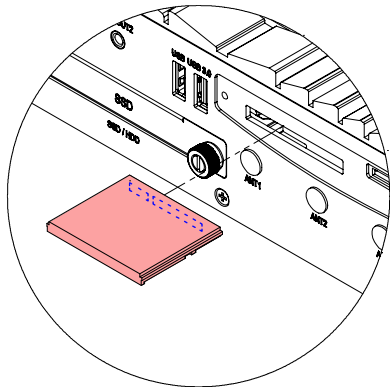
After installation, secure the bottom cover and front I/O cover and put back the SSD trays.

### 2.1.3 CFAST & Micro-SIM Card Installation

1. Release the two screws as shown below to open the CFAST & Micro-SIM card door.

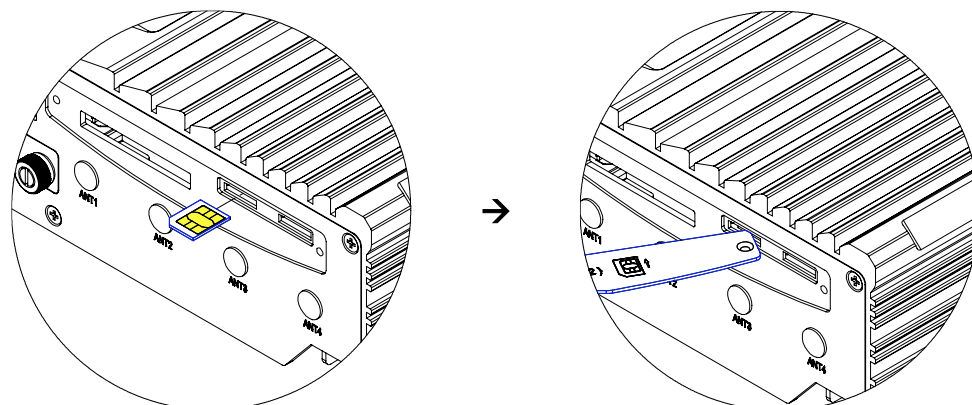


2. **For CFAST card**, insert the card as below.  
To remove the CFAST card, push the card again.



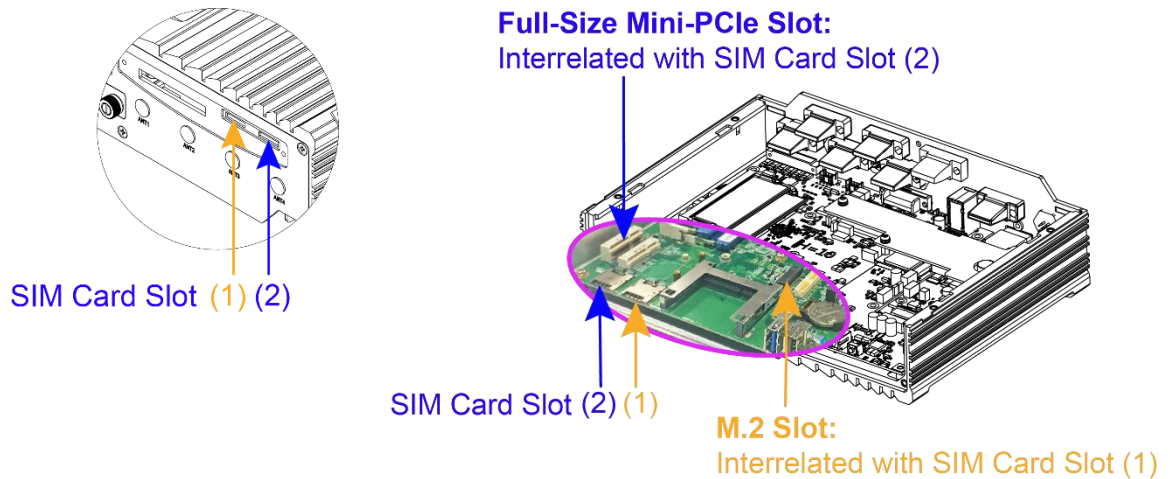
3. **For micro-SIM card**, insert the card to one of the micro-SIM card slot with the chip up and push the card by using your fingernail or a corner of the CFAST & micro-SIM card door. Then refer to 2.1.4 *Mini-PCle & M.2 Network Cards Installation* for further installation.

To remove the micro-SIM card, push the card again.

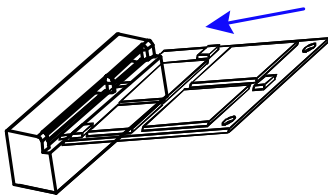


## 2.1.4 Mini-PCle & M.2 Network Cards Installation

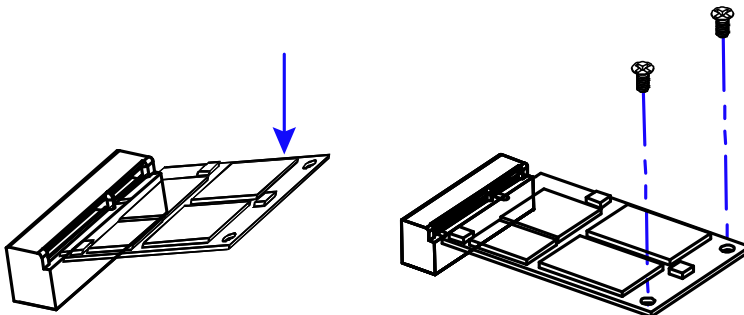
Before you start, firstly pay attention to the interrelation among the SIM card slots, mini-PCle slot, and M.2 slot as below. Then you need to remove the front I/O cover and the bottom cover as mentioned earlier.



1. Locate the mini-PCle slot, align the key of the mini-PCle card to the interface, and insert the card slantwise.  
(Insert the M.2 network card in the same way.)



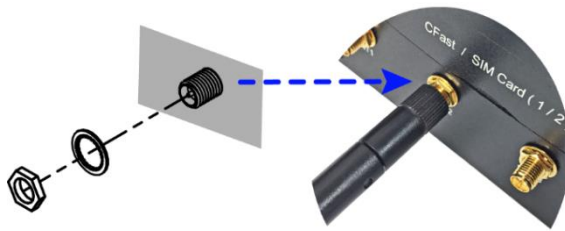
2. Push the mini-PCle card down, fix it with the supplied 2 flat head screws for a full-sized card and with one screw for a half-sized card.  
(Fix the M.2 network card with the brass standoff.)



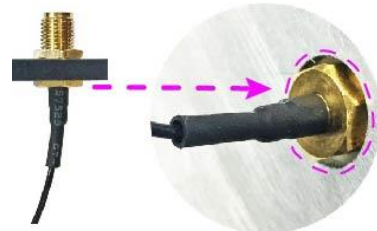
### 2.1.5 WiFi / 3G / 4G Antenna Installation

Thread the WiFi / 3G / 4G antenna extension cable through an antenna hole of the front I/O cover and fasten the antenna as shown below. Then apply adhesive to the edge of the hex nut behind the front I/O cover to prevent the extension cable from falling if the cable becomes loose.

1. Thread and fasten the hex nut and the washer. Then install the antenna.



2. Apply adhesive around here.



---

**Info:** The diameter of the nut is around 6.35 mm (0.25"-36UNC).

---

## 2.1.6 Mounting Brackets Installation

---

**Note:** Before mounting the system on wall, ensure that you are following all applicable building and electric codes.

---

### Requirements

When mounting, ensure that you have enough room for power and signal cable routing. And have good ventilation for power adapter. The method of mounting must be able to support weight of the MPT-3000R plus the suspend weight of all the cables to be attached to the system. Use the following methods for mounting your system:

### Selecting the Location

Plan the mounting location thoroughly. Locations such as walkway areas, hallways, and crowded areas are not recommended. Mount the product to a flat, sturdy, structurally sound column or wall surface.

The best mounting surface is a standard countertop, cabinet, table, or other structure that is minimally the width and length of the product. This will reduce the risk that someone may accidentally wall into and damage the product. Local laws governing the safety of individuals might require this type of consideration.

### Selecting the type of wall construction

#### 1. Mounting on a hollow wall

- **Wood surface**

Use construction-grade wood and the recommended minimum thickness is 38 x 25.4 mm (1.5" x 10").

---

**Note:** This method provides the most reliable attachment for the product with little risk that the product may come loose or require ongoing maintenance.

---

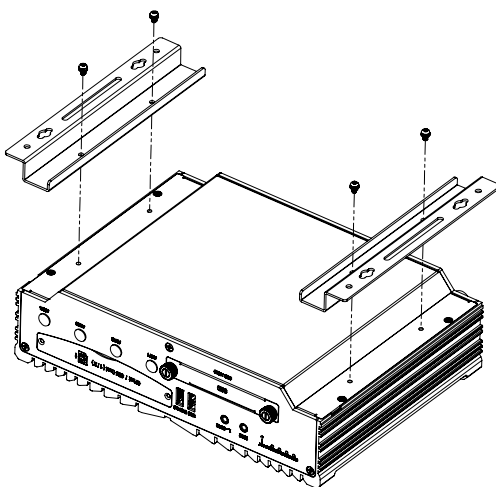
- **Drywall**

Drywall over wood studs is acceptable.

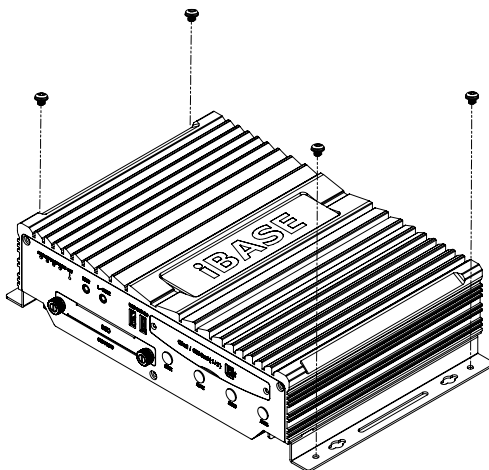
#### 2. Mounting on a solid concrete or brick wall with flat and smooth surface

**Installation instructions:**

1. Turn your MPT-3000R upside down, attach the mounting brackets to MPT-3000R, and secure with the supplied four screws as below.



2. Prepare at least four screws (M3, 6 mm) to mount MPT-3000R on wall .

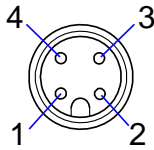


You can install MPT-3000R on plastic (LCD monitor), wood, drywall surface over studs, or a solid concrete or metal plane directly. The types of fasteners required are dependent on the type of wall construction.

Fasteners are not supplied in the product package. You will need to prepare the fasteners. Choose fasteners that are rated either **Medium Duty** or **Heavy Duty**. To assure proper fastener selection and installation, follow the fastener manufacturer's recommendations.

## 2.1.7 Pinout for M12 Connectors (Power Input, USB 2.0, LAN)

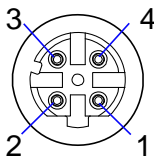
- **Power Input (M12, 4 pins, male A-coded)**



When you connect the connector to the automotive power, the ignition output shall be expected as +12 VDC. The DC-In and Ground leads can be directly connected to the automotive battery.

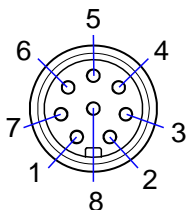
Pin	Assignment	Pin	Assignment
1	Ignition	3	Ground
2	Ground	4	DC-Input

- **USB 2.0 Port (M12, 4 pins, female D-coded)**



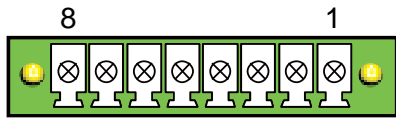
Pin	Assignment	Pin	Assignment
1	+5V	3	D+
2	Ground	4	D-

- **LAN Port (M12, 8 pins, male A-coded)**



Pin	Assignment	Pin	Assignment
1	MX1+	5	MX2-
2	MX3-	6	MX4+
3	MX3+	7	MX1-
4	MX4-	8	MX2+

- **GPIO Connector (terminal block)**



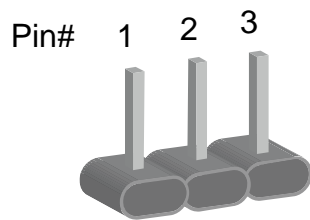
Pin	Assignment	Pin	Assignment
1	Ground	5	DIO4
2	DIO1	6	DIO5
3	DIO2	7	DIO6
4	DIO3	8	Ground

## 2.2 Setting the Jumpers

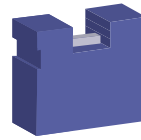
Set up and configure your MPT-3000R by using jumpers for various settings and features according to your needs and applications. Contact your supplier if you have doubts about the best configuration for your use.

### 2.2.1 How to Set Jumpers

Jumpers are short-length conductors consisting of several metal pins with a non-conductive base mounted on the circuit board. Jumper caps are used to have the functions and features enabled or disabled. If a jumper has 3 pins, you can connect either PIN1 to PIN2 or PIN2 to PIN3 by shorting.

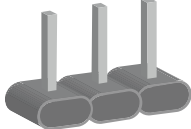
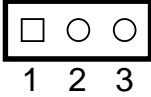
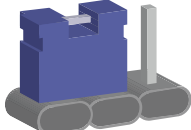
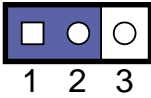
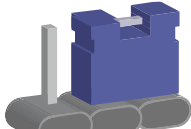
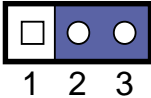


A 3-pin jumper



A jumper cap

Refer to the illustration below to set jumpers.

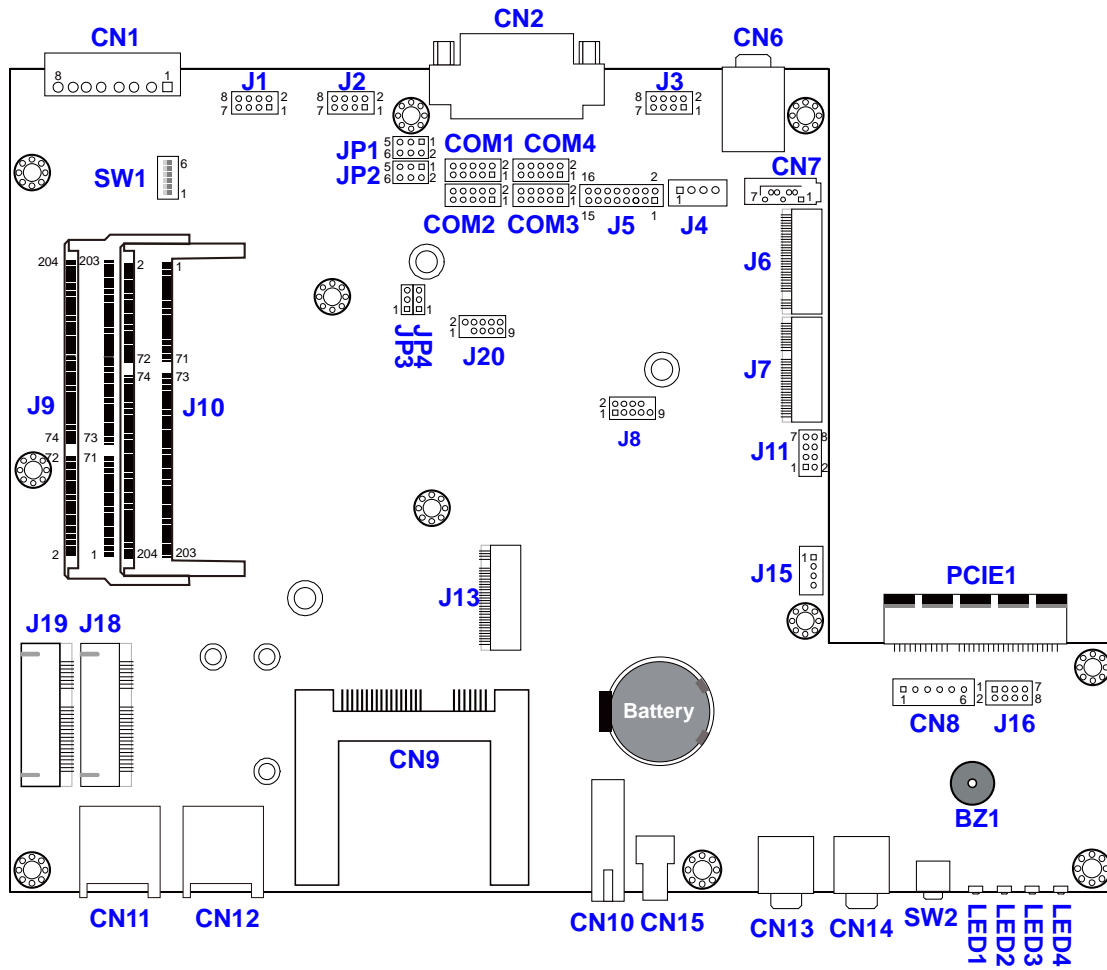
Pin closed	Oblique view	Schematic illustration in the manual
Open		
1-2		
2-3		

When two pins of a jumper are encased in a jumper cap, this jumper is **closed**, i.e. turned **On**.

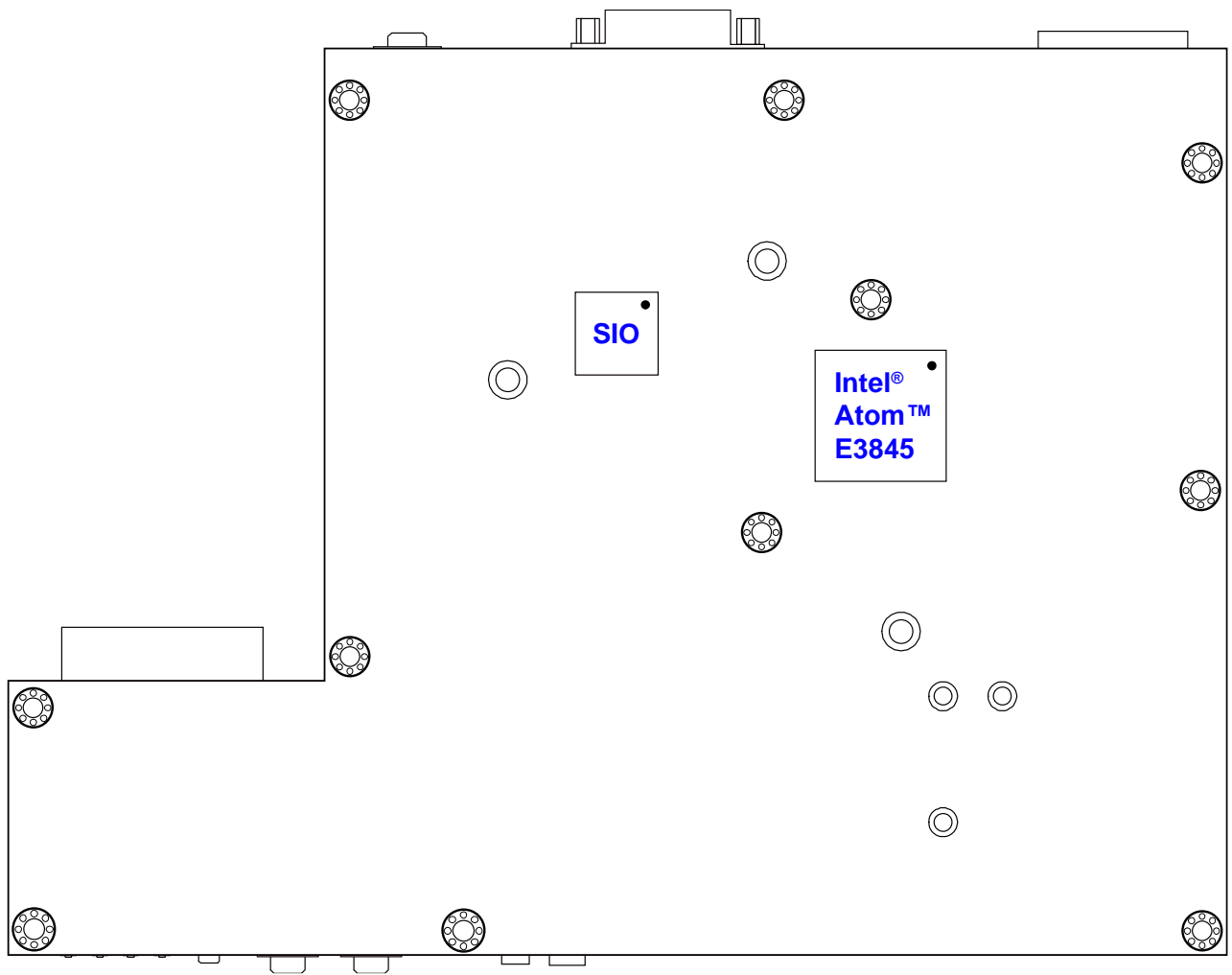
When a jumper cap is removed from two jumper pins, this jumper is **open**, i.e. turned **Off**.

### 2.3 Jumper & Connector Locations on Motherboard

Motherboard: MBT-3001R



MBT-3001R - top

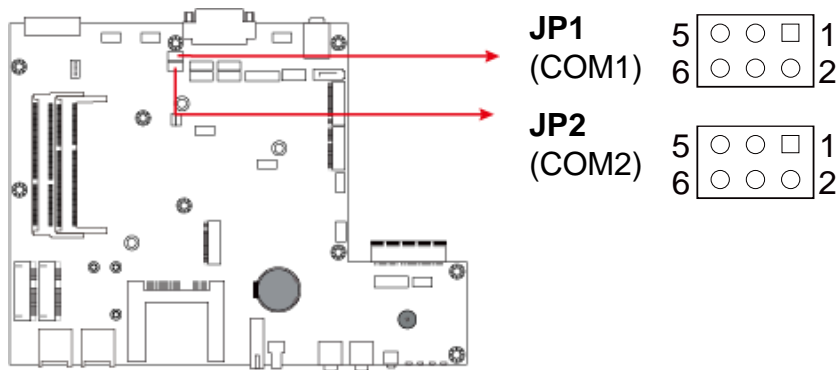


**MBT-3001R - bottom**

## 2.4 Jumpers Quick Reference

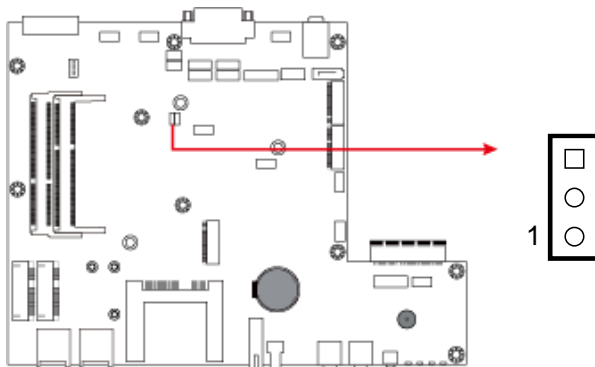
Function	Connector Name	Page
COM1, COM2 Port RS-232 Selection	JP1, JP2	27
ME Register Clearance	JP3	28
CMOS Data Clearance	JP4	28

### 2.4.1 COM1, COM2 Port RS-232 Selection (JP1, JP2)



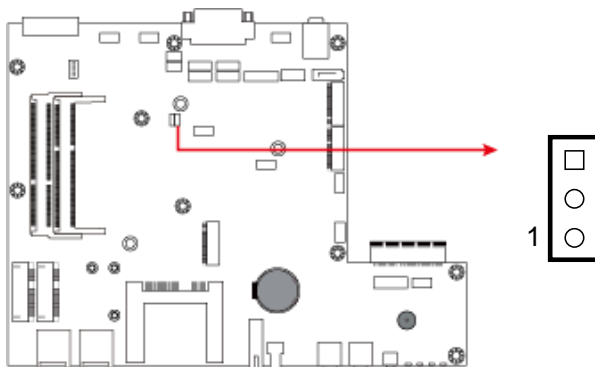
Function	Pin closed	Illustration
12V	1-3	<p>5 ○ ● □ 1 6 ○ ○ ○ 2</p>
RI (default)	3-4	<p>5 ○ ● □ 1 6 ○ ● ○ 2</p>
5V	3-5	<p>5 ● ● □ 1 6 ○ ○ ○ 2</p>

**2.4.2 ME Register Clearance (JP3)**



Function	Pin closed	Illustration
Normal (default)	1-2	
Clear ME Register	2-3	

**2.4.3 CMOS Data Clearance (JP4)**

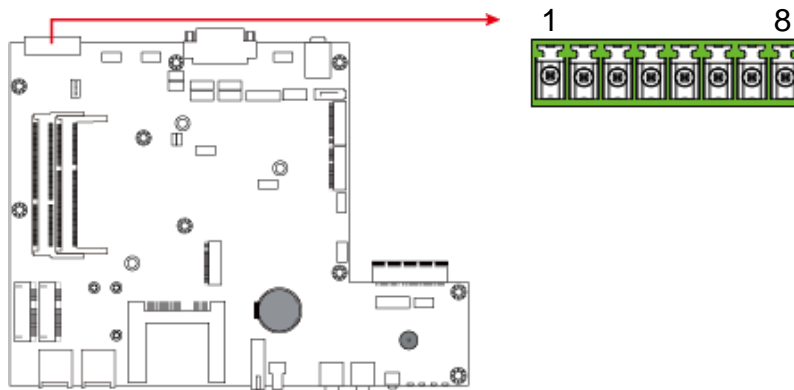


Function	Pin closed	Illustration
Normal (default)	1-2	
Clear CMOS	2-3	

## 2.5 Connectors Quick Reference

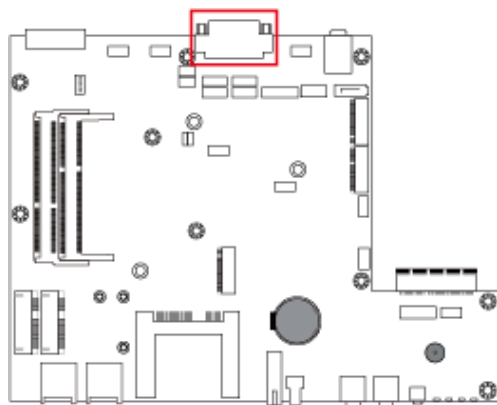
Function	Connector Name	Page
Digital I/O Port	CN1	30
DVI-D Port	CN2	30
LAN Port	J1, J2	31
USB 2.0 Port	J3, CN15	31
Audio Jack	CN6, CN13, CN14	31
SATA II Connector	CN7	32
CFast Connector	CN9	32
USB 3.0 Port	CN10	32
SIM Card Slot	CN11, CN12	33
COM Port Connector	COM1, COM2, COM3, COM4	33
SATA HDD Power Connector	J4	34
CRT Connector	J5	34
M.2 (M) SATA Interface	J6	35
M.2 (E) USB2.0 / PCIe (x1) Interface	J7	35
DDR3L SO-DIMM Socket	J9, J10	35
Future Connector for CAN Module Connection	J11	36
M.2 (B) USB2.0 Interface (interrelated with CN12)	J13	36
Half Mini PCIe USB2.0 Connector	J18	37
Full Mini PCIe USB2.0 / PCIe (x1) Connector (interrelated with CN11)	J19	37
Power Module Interface	PCIE1	37
Digital IO Pull High to +5V Switch	SW1	38
Reset Button	SW2	38
Power Button Connector (Reserved)	CN8	--
Power Connector (Reserved)	J16	--

## 2.5.1 Digital I/O Port (CN1)

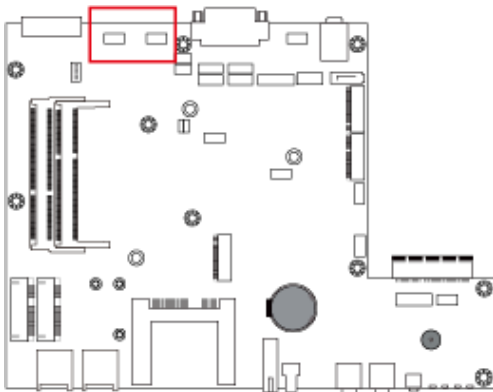


Pin	Assignment	Pin	Assignment
1	GND	5	DIO4
2	DIO1	6	DIO5
3	DIO2	7	DIO6
4	DIO3	8	GND

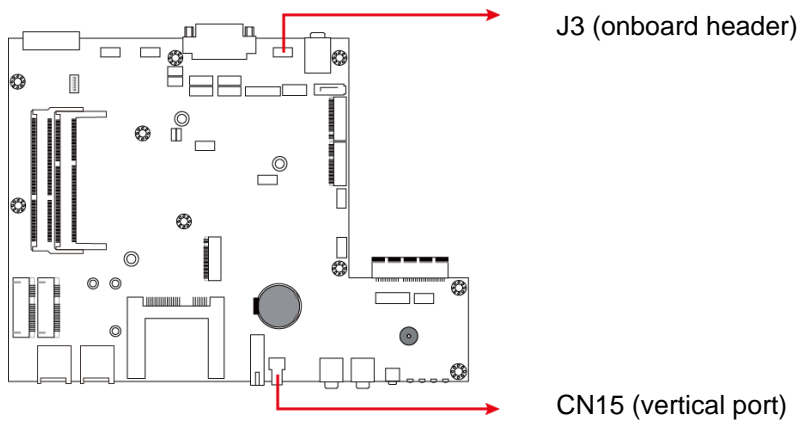
## 2.5.2 DVI-D Port (CN2)



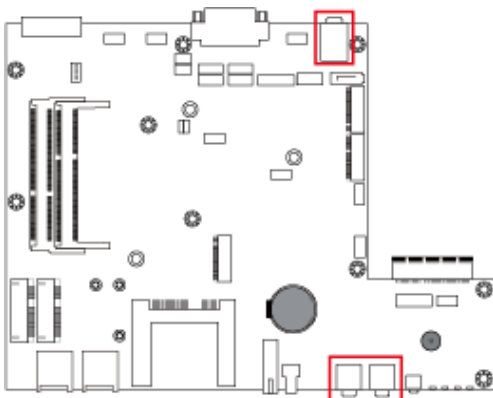
### 2.5.3 LAN Port (J1, J2)



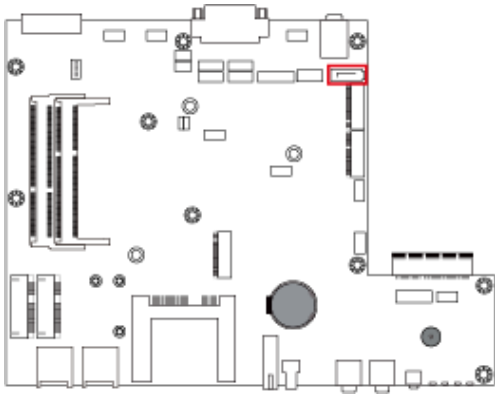
### 2.5.4 USB 2.0 Port (J3, CN15)



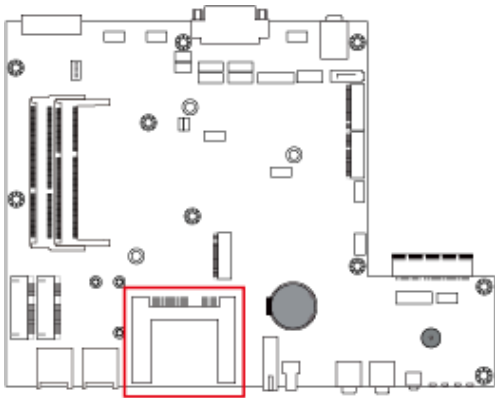
### 2.5.5 Audio Jack (CN6, CN13, CN14)



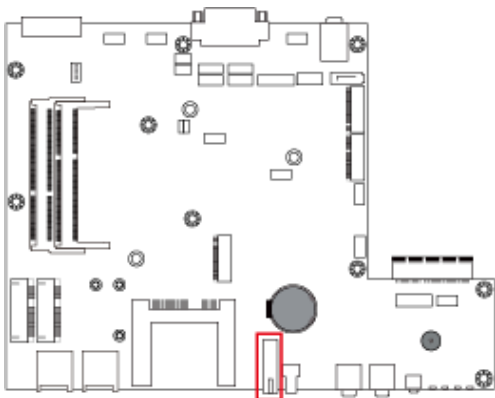
**2.5.6 SATA II Connector (CN7)**



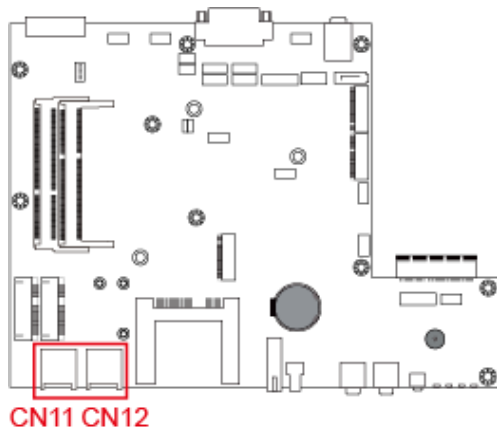
**2.5.7 CFAST Connector (CN9)**



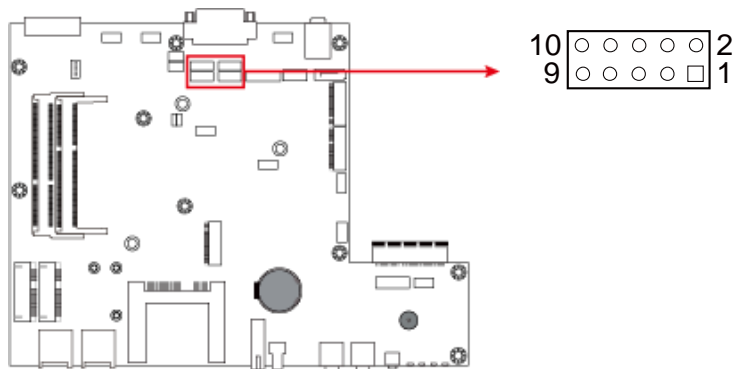
**2.5.8 USB 3.0 Port (CN10)**



### 2.5.9 SIM Card Slot (CN11, CN12)

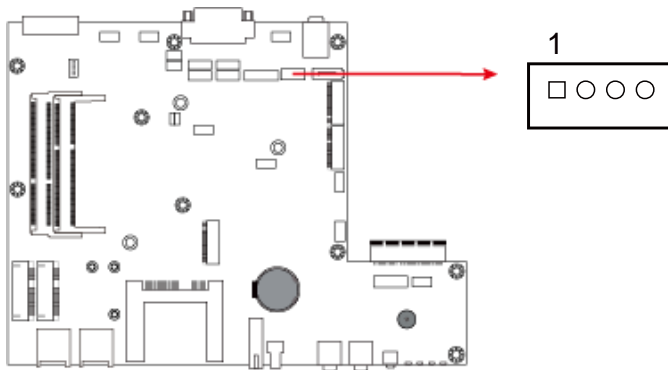


### 2.5.10 COM Port Connector (COM1 ~ COM4)



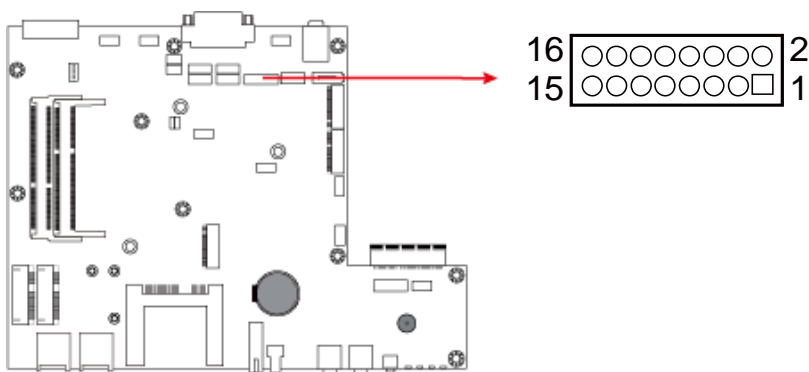
Pin	Assignment	Pin	Assignment
1	DCD	6	DSR
2	SIN	7	RTS
3	SOUT	8	CTS
4	DTR	9	RI
5	GND	10	N/C

**2.5.11 SATA HDD Power Connector (J4)**



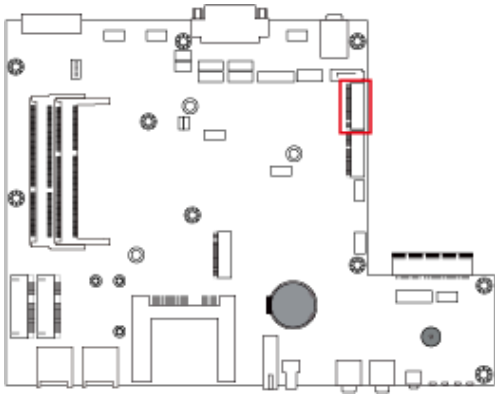
Pin	Assignment
1	+5V
2	Ground
3	Ground
4	+12V

**2.5.12 CRT Connector (J5)**

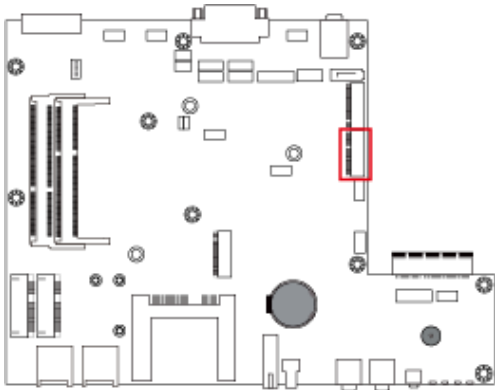


Pin	Assignment	Pin	Assignment
1	Red	9	GND
2	VCC	10	HSYNC
3	Green	11	GND
4	GND	12	VSYNC
5	Blue	13	GND
6	N.C.	14	DCCCLK
7	N.C.	15	GND
8	DCCDATA	16	N.C.

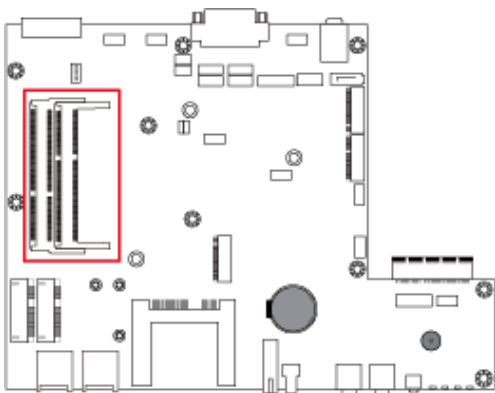
**2.5.13 M.2 (M) SATA Interface (J6)**



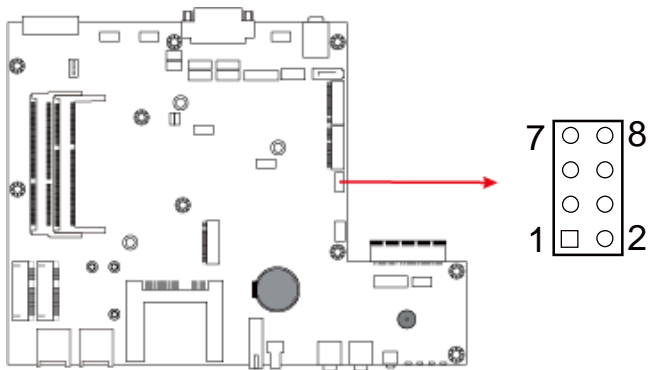
**2.5.14 M.2 (E) USB2.0 / PCIe (x1) Interface (J7)**



**2.5.15 DDR3L SO-DIMM Socket (J9, J10)**

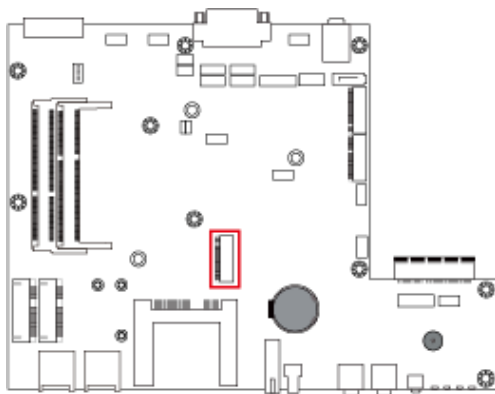


**2.5.16 Future Connector for CAN Module Connection (J11)**



Pin	Assignment	Pin	Assignment
1	+5V	5	USB+
2	GND	6	COM6-RX
3	USB-	7	GND
4	COM6-TX	8	+5V

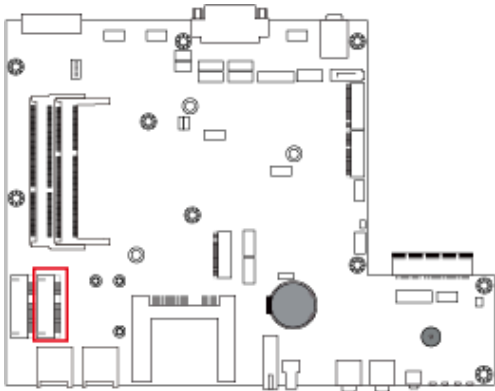
**2.5.17 M.2(B) USB2.0 Interface (J13)**



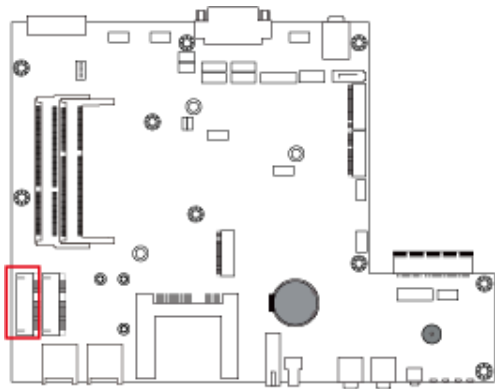
**CN11 CN12**

J13 is interrelated with the SIM card slot CN12.

### 2.5.18 Half Mini PCIe USB2.0 Connector (J18)



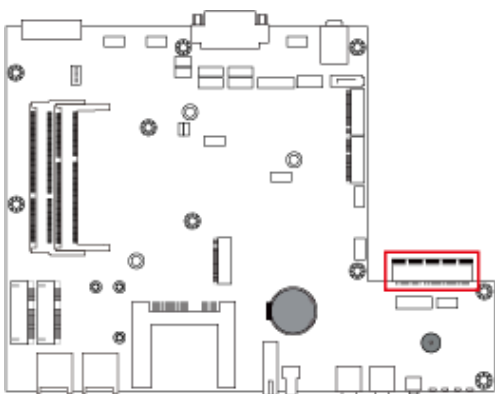
### 2.5.19 Full Mini PCIe USB2.0 / PCIe (x1) Connector (J19)



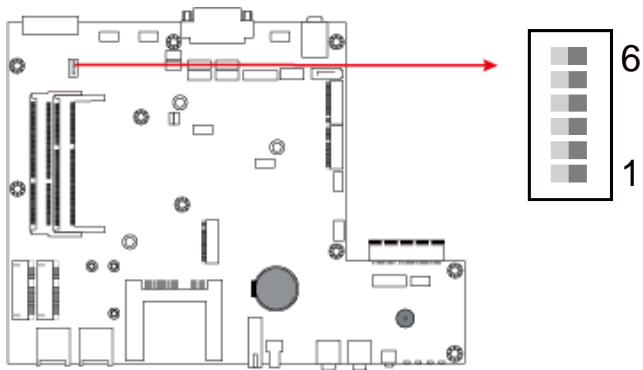
CN11 CN12

J19 is interrelated with the SIM card slot CN11.

### 2.5.20 Power Module Interface (PCIE1)



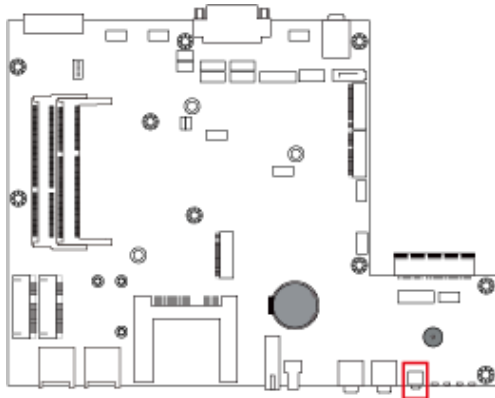
## 2.5.21 Digital IO Pull High to +5V Switch (SW1)



Switch to **ON** to pull high to 5V.

Pin	Assignment	Pin	Assignment
1	DIO1	4	DIO4
2	DIO2	5	DIO5
3	DIO3	6	DIO6

## 2.5.22 Reset Button (SW2)



## Chapter 3

# Driver Installation

The information provided in this chapter includes:

- Intel® Chipset Software Installation Utility
- VGA Driver Installation
- HD Audio Driver Installation
- LAN Driver Installation
- Intel® Trusted Execution Engine Installation
- Intel® Serial I/O Driver Installation
- G-Sensor Driver Installation

## 3.1 Introduction

This section describes the installation procedures for software drivers.

---

**Note:** After installing your Windows operating system, you must install the Intel® Chipset Software Installation Utility first before proceeding with the drivers installation.

---

## 3.2 Intel® Chipset Software Installation Utility

The Intel® Chipset drivers should be installed first before the software drivers to install INF files for Plug & Play function for the chipset components. Follow the instructions below to complete the installation.

1. Go to the download page of the product. Copy the compressed drivers file to your computer. Double click the file to decompress it. Run “CDGuide” to go to the main drivers page as shown. Click **Intel** and then **Intel(R) Baytrail Chipset Drivers**.



2. Click **Intel(R) Chipset Software Installation Utility**.



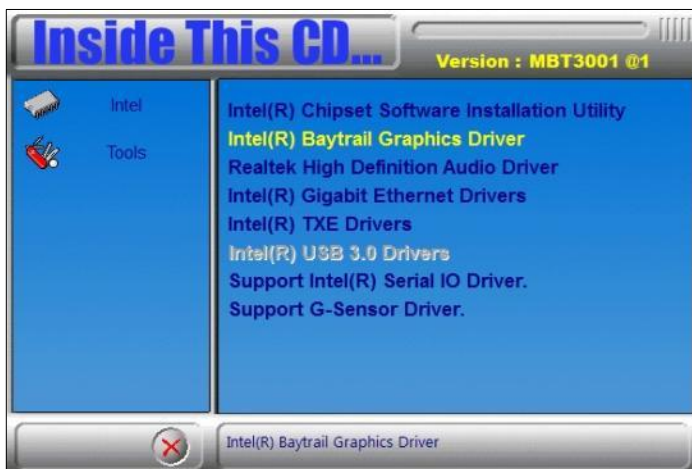
3. When the *Welcome* screen to the Intel® Chipset Device Software appears, click **Next** to continue.
4. Click **Yes** to accept the software license agreement and proceed with the installation process.
5. The driver has been completely installed. You are suggested to restart the computer for changes to take effect.

## 3.3 VGA Driver Installation

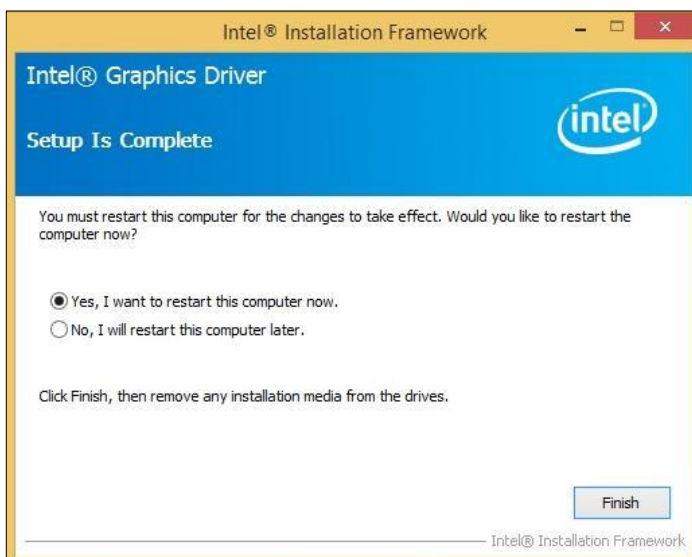
1. Click **Intel** and then **Intel(R) Baytrail Chipset Drivers**.



2. Click **Intel(R) Baytrail Graphics Driver**.



3. When the *Welcome* screen appears, click **Next** to continue.
4. Click **Yes** to agree with the license agreement and continue the installation.
5. The driver has been completely installed. You are suggested to restart the computer for changes to take effect.



### 3.4 HD Audio Driver Installation

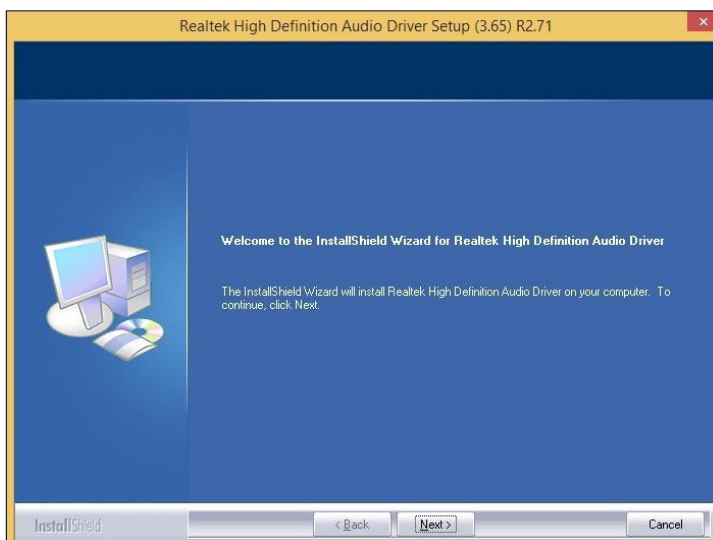
1. Click **Intel** and then **Intel(R) Baytrail Chipset Drivers**.



2. Click **Realtek High Definition Audio Driver**.



3. On the *Welcome* screen of the InstallShield Wizard, click **Next** for installation.



4. The driver has been completely installed. You are suggested to restart the computer and for changes to take effect.

## 3.5 LAN Driver Installation

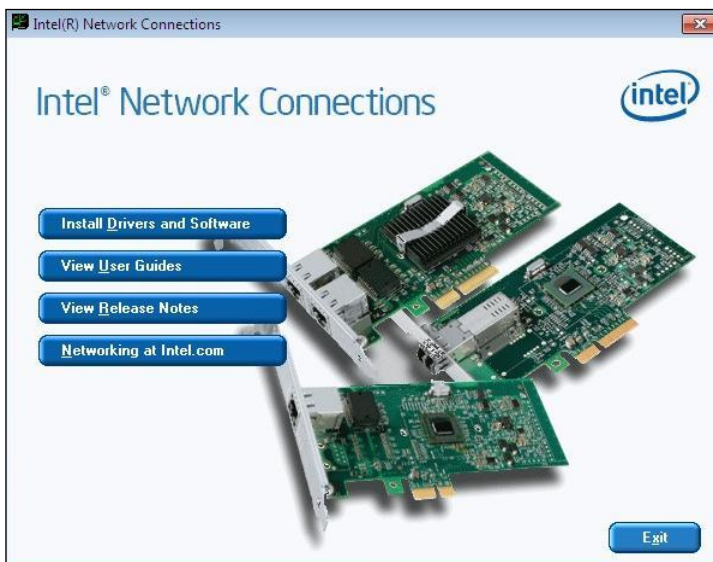
1. Click **Intel** and then **Intel(R) Baytrail Chipset Drivers**.



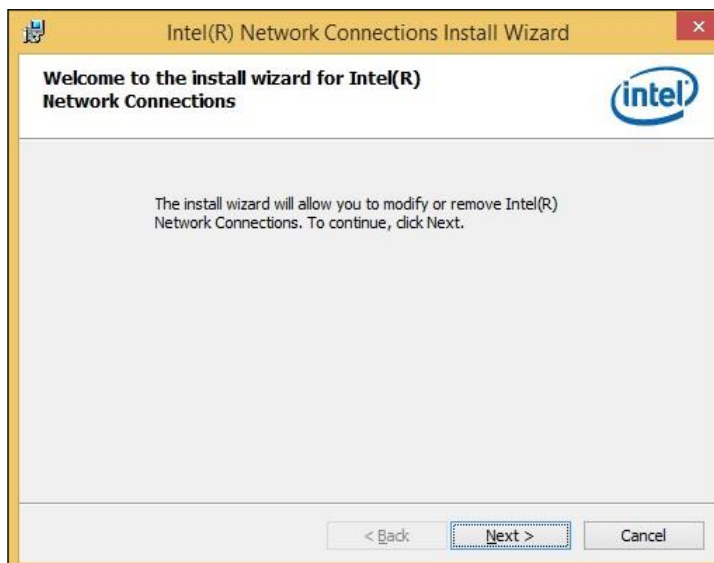
2. Click **Intel(R) Gigabit Ethernet Drivers**.



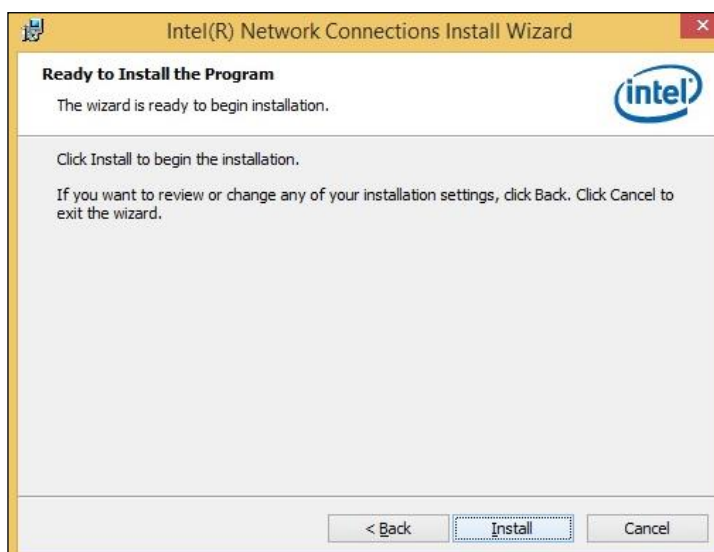
3. On the screen of *Intel® Network Connections*, click **Install Drivers and Software**.



- When the *Welcome* screen appears, click **Next**.



- Accept the license agreement and click **Next** for installation..
- On the *Setup Options* screen, click the checkbox to select the desired driver(s) for installation. Then click **Next** to continue.
- The wizard is ready for installation. Click **Install**.



- The driver has been completely installed. You are suggested to restart the computer for changes to take effect.

## 3.6 Intel® Trusted Execution Engine Installation

1. Click **Intel** and then **Intel(R) Baytrail Chipset Drivers**.



2. Click **Intel** and then **Intel(R) TXE Drivers**.



3. When the *Weelcome* screen appears, click **Next** to continue installation.



4. Accept the license agreement and click **Next** for installation.
5. The driver has been completely installed. You are suggested to restart the computer for changes to take effect.

### 3.7 Intel® Serial I/O Driver Installation

1. Click **Intel** and then **Intel(R) Baytrail Chipset Drivers**.



2. Click **Intel** and then **Support Intel(R) Serial IO Driver**.



3. When the *Weelcome* screen appears, click **Next** to continue installation.



4. Accept the license agreement and click **Next** for installation.
5. The driver has been completely installed. You are suggested to restart the computer for changes to take effect.

## 3.8 G-Sensor Driver Installation

---

**Note:** The G-Sensor driver is only installable on Windows 10 (64bit).

---

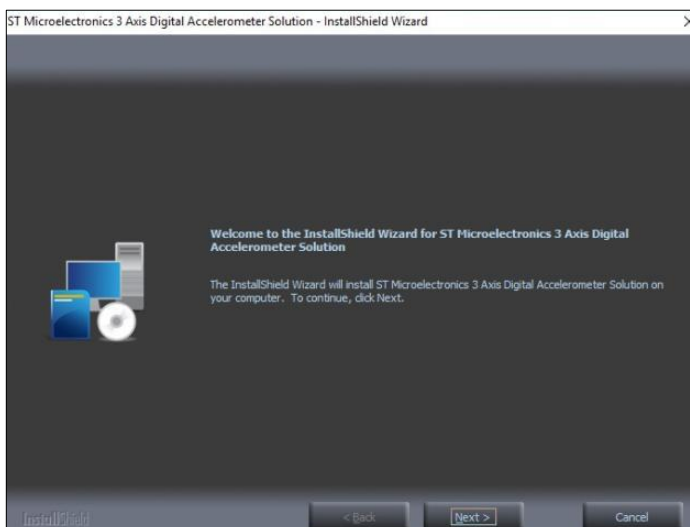
1. Click **Intel** and then **Intel(R) Baytrail Chipset Drivers**.



2. Click **Intel** and then **Support G-Sensor Driver**.



3. When the *Weelcome* screen appears, click **Next** to continue installation.



4. Accept the license agreement and click **Next** and then click **Install**.
5. The driver has been completely installed. You are suggested to restart the computer for changes to take effect.

## Chapter 4

# BIOS Setup

This chapter describes the different settings available in the AMI BIOS that comes with the board. The topics covered in this chapter are as follows:

- Main Settings
- Advanced Settings
- Chipset Settings
- Security Settings
- Boot Settings
- Save & Exit

## 4.1 Introduction

The BIOS (Basic Input/Output System) installed in the ROM of your computer system supports Intel® processors. The BIOS provides critical low-level support for standard devices such as disk drives, serial ports and parallel ports. It also provides password protection as well as special support for detailed fine-tuning of the chipset controlling the entire system.

## 4.2 BIOS Setup

The BIOS provides a Setup utility program for specifying the system configurations and settings. The BIOS ROM of the system stores the Setup utility. When you turn on the computer, the BIOS is immediately activated. Press the <Del> key immediately allows you to enter the Setup utility. If you are a little bit late pressing the <Del> key, POST (Power On Self Test) will continue with its test routines, thus preventing you from invoking the Setup.

If you still need to enter Setup, restart the system by pressing the "Reset" button or simultaneously pressing the <Ctrl>, <Alt> and <Delete> keys. You can also restart by turning the system Off and back On again.

The following message will appear on the screen:

```
Press <DEL> to Enter Setup
```

In general, press the arrow keys to highlight items, <Enter> to select, the <PgUp> and <PgDn> keys to change entries, <F1> for help, and <Esc> to quit.

When you enter the BIOS Setup utility, the *Main Menu* screen will appear on the screen. The Main Menu allows you to select from various setup functions and exit choices.

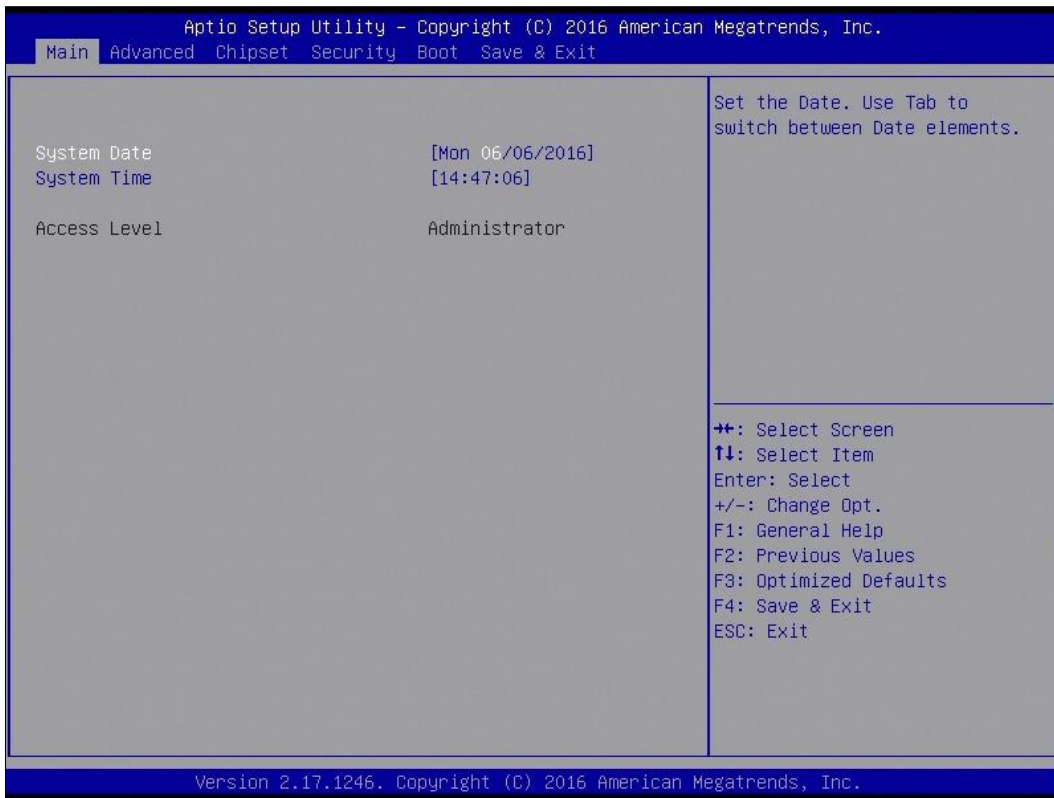
---

**Warning:** It is strongly recommended that you avoid making any changes to the chipset defaults.

These defaults have been carefully chosen by both AMI and your system manufacturer to provide the absolute maximum performance and reliability. Changing the defaults could make the system unstable and crash in some cases.

---

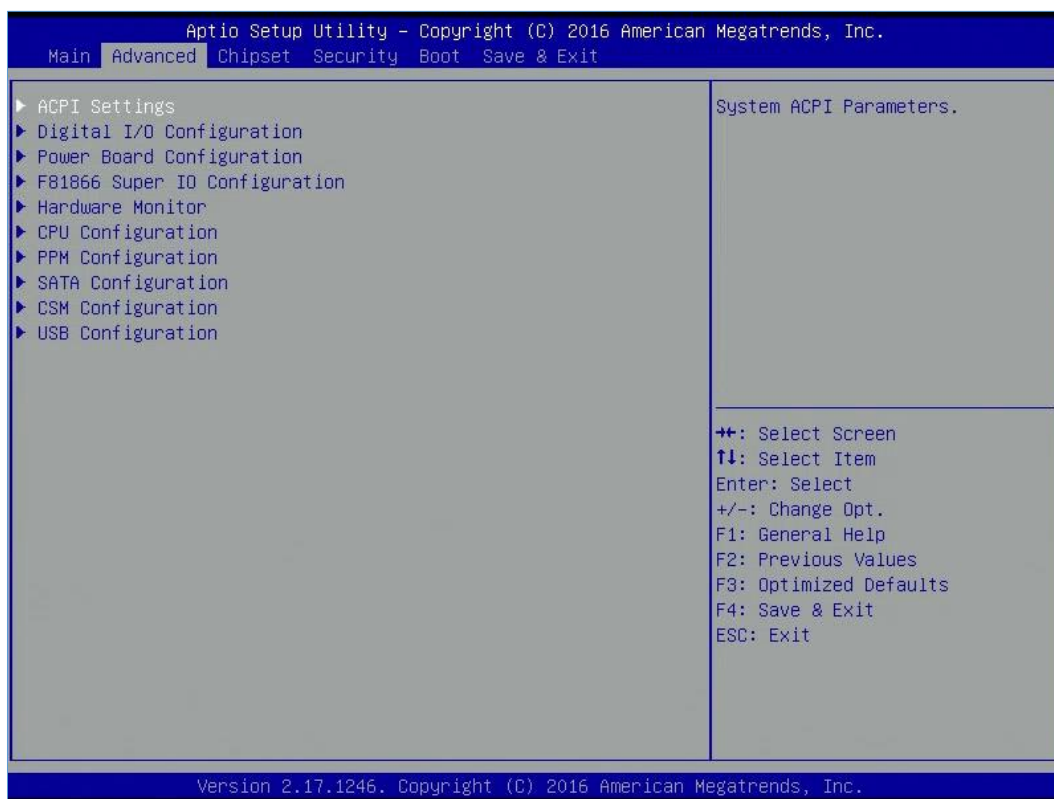
### 4.3 Main Settings



BIOS Setting	Description
System Date	Sets the date. Use the <Tab> key to switch between the date elements.
System Time	Set the time. Use the <Tab> key to switch between the time elements.

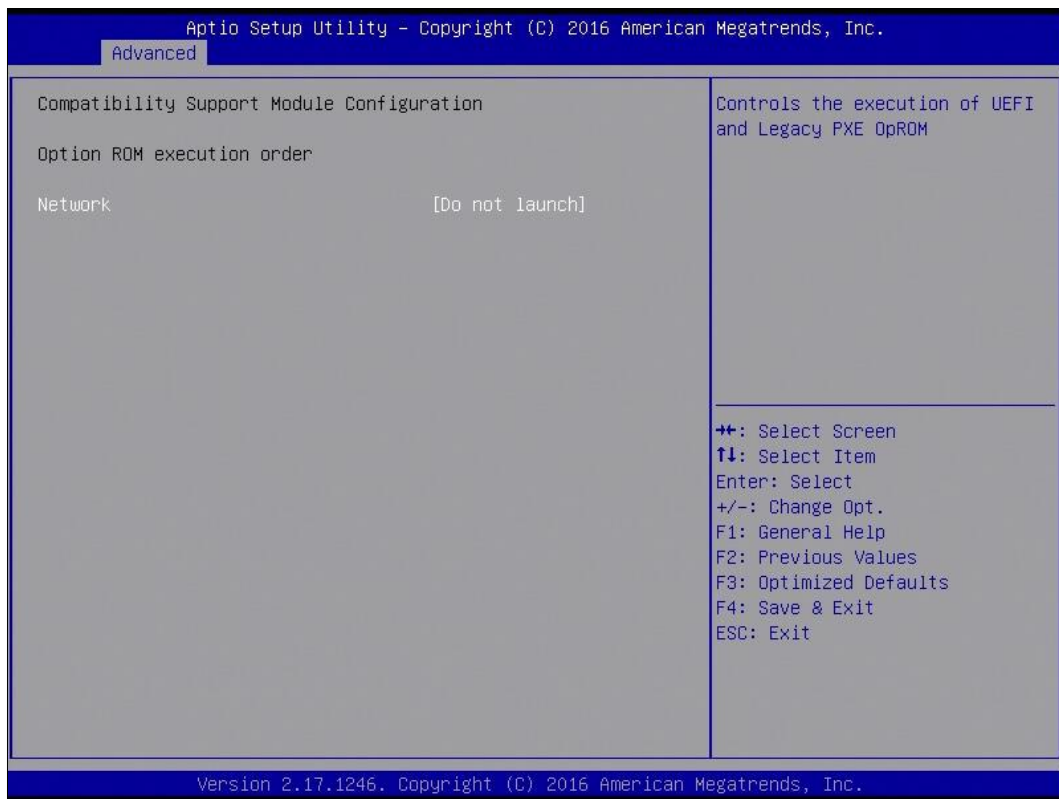
## 4.4 Advanced Settings

This section allows you to configure, improve your system and allows you to set up some system features according to your preference.

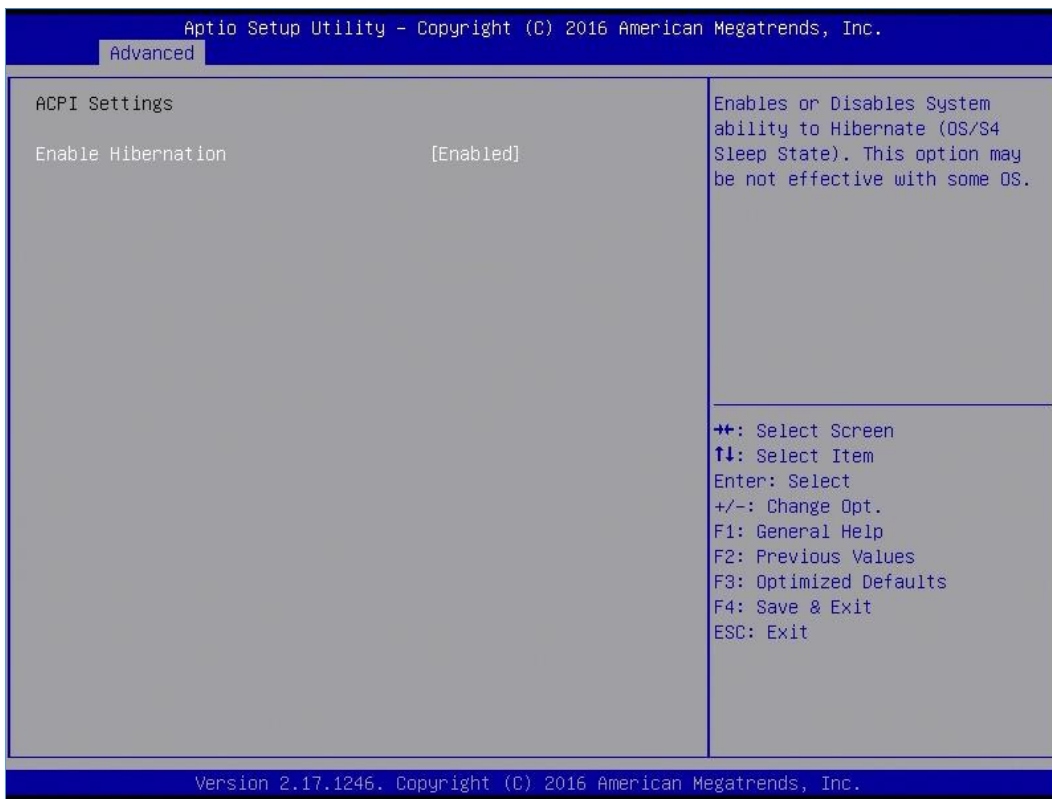


BIOS Setting	Description
ACPI Settings	System ACPI Parameters.

## 4.4.1 CSM Configuration

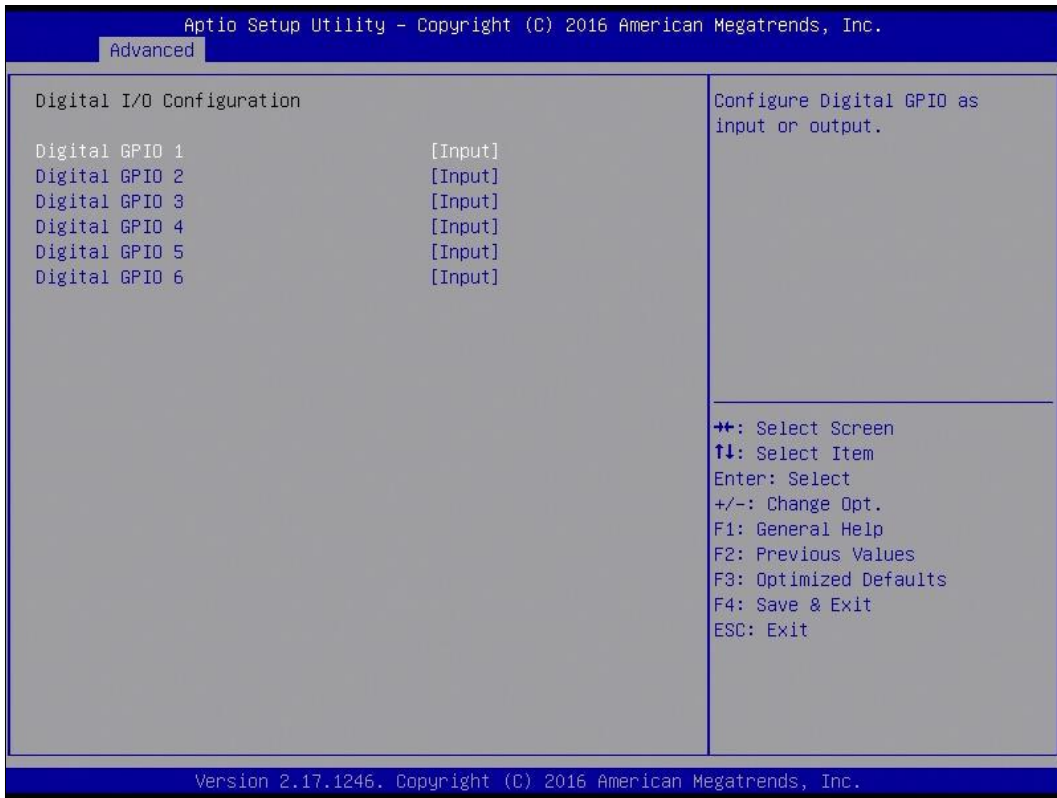


### 4.4.2 ACPI Settings



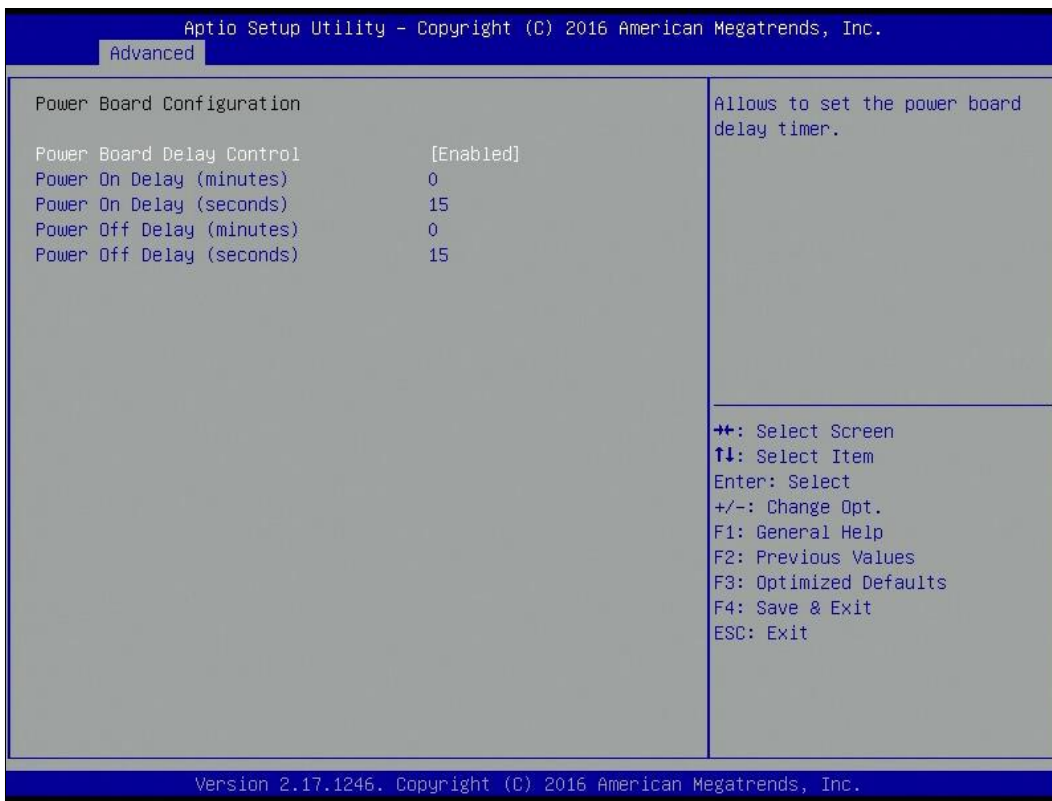
BIOS Setting	Description
Enable Hibernation	Enables or disables the System ability to Hibernate (OS/S4 Sleep State). This option may not be effective with some OS.
ACPI Sleep State	Selects ACPI sleep state that the system will enter when the SUSPEND button is pressed.

### 4.4.3 Digital I/O Configuration



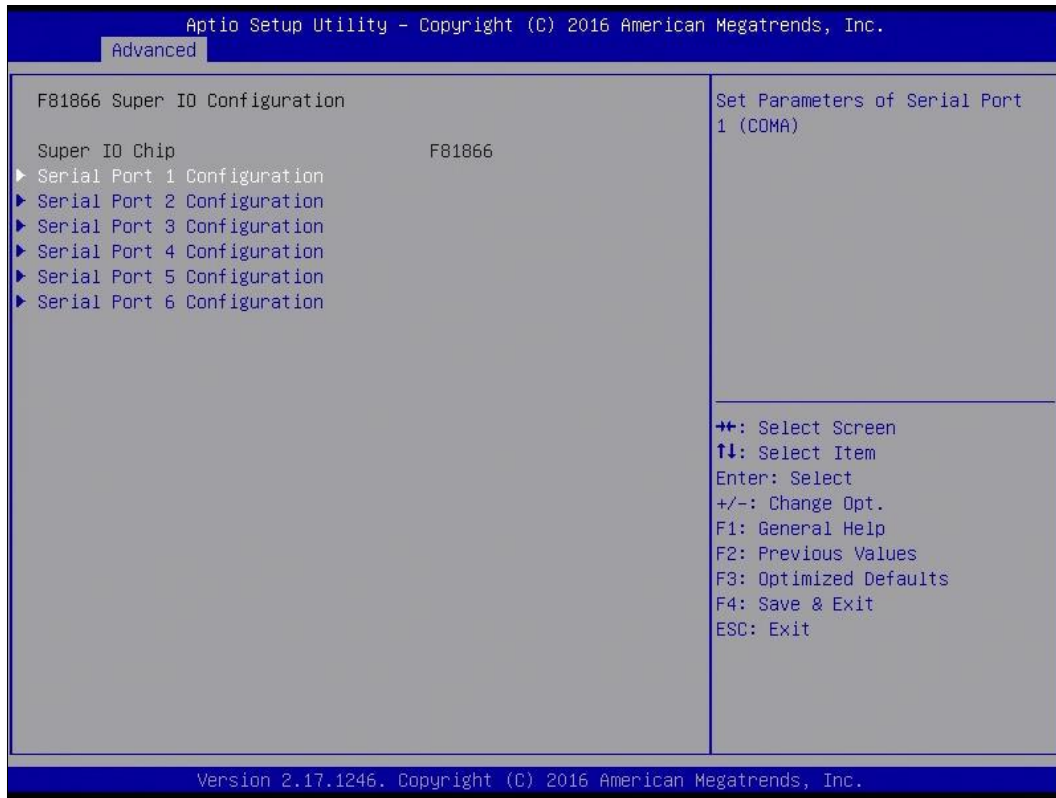
BIOS Setting	Description
Digital GPIO 1 ~ 6	Configure Digital GPIO as input or output.

### 4.4.4 Power Board Configuration



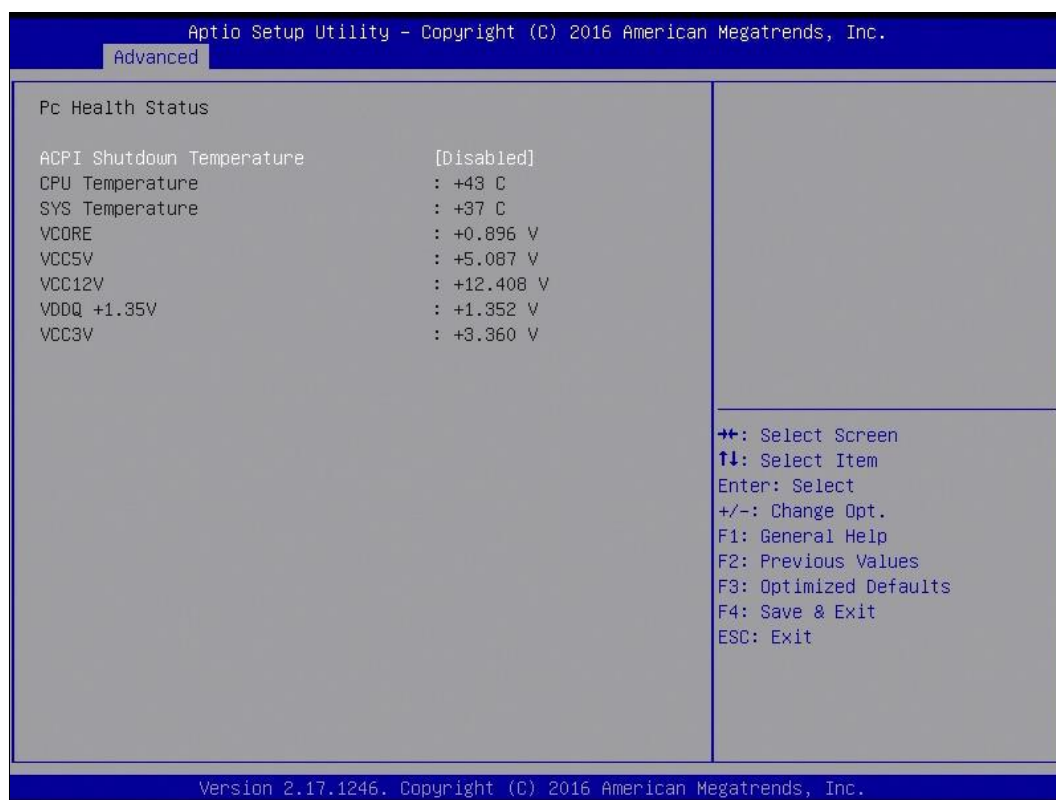
BIOS Setting	Description
Power Board Delay Control	Allows to set the delay timer for turning on or off the power board.

### 4.4.5 Super IO Configuration



BIOS Setting	Description
Serial Port Configuration	<p>Sets Parameters of Serial Ports.</p> <p>You can enable / disable the serial port and select an optimal settings for the Super IO device.</p> <p>* COM5 is for internal use only. COM6 sigals come from the on-board connector J11, and is reserved for future use to connect to CAN module.</p>

## 4.4.6 Hardware Monitor



BIOS Setting	Description
Smart Fan Function	This field enables or disables the smart fan feature. Options: Disabled (default), 50 °C, 60 °C, 70 °C, 80 °C, 90 °C
Shutdown Temperature	This field enables or disables the Shutdown Temperature Options: Disabled (default). 70 °C, 75 °C, 80 °C, 85 °C, 90 °C, 95 °C
Temperatures / Voltages	These fields are the parameters of the hardware monitoring function feature of the motherboard. The values are read-only values as monitored by the system and show the PC health status

### 4.4.7 CPU Configuration



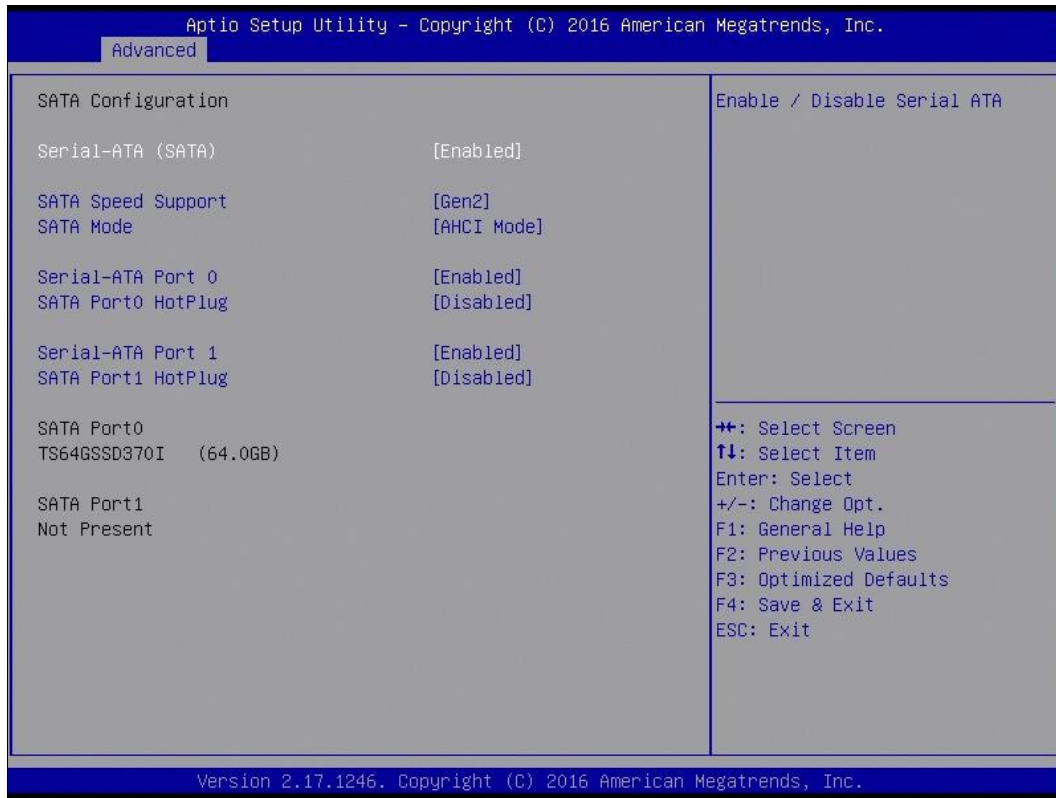
BIOS Setting	Description
Socket 0 CPU Information	Displays the specific socket CPU Information.

### 4.4.8 CPU PPM Configuration



BIOS Setting	Description
EIST	Enables / Disables Intel SpeedStep.

### 4.4.9 SATA Configuration

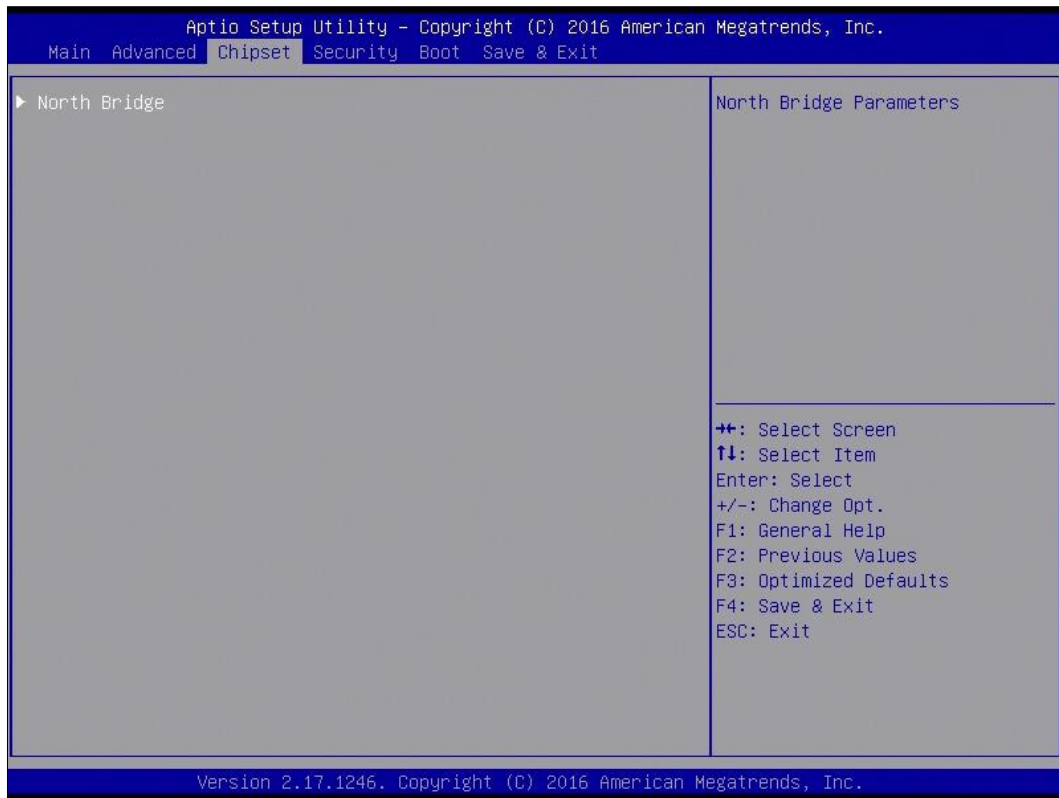


BIOS Setting	Description
Serial-ATA (SATA)	Enables / Disables the Serial ATA.
SATA Mode	Selects IDE / AHCI Mode.
Serial –ATA Port 0	Enables / Disables Serial Port 0.
SATA Port0 HotPlug	Enables / Disables SATA Port 0 HotPlug.
Serial –ATA Port 1	Enables / Disables Serial Port 1.
SATA Port1 HotPlug	Enables / Disables SATA Port 1 HotPlug.

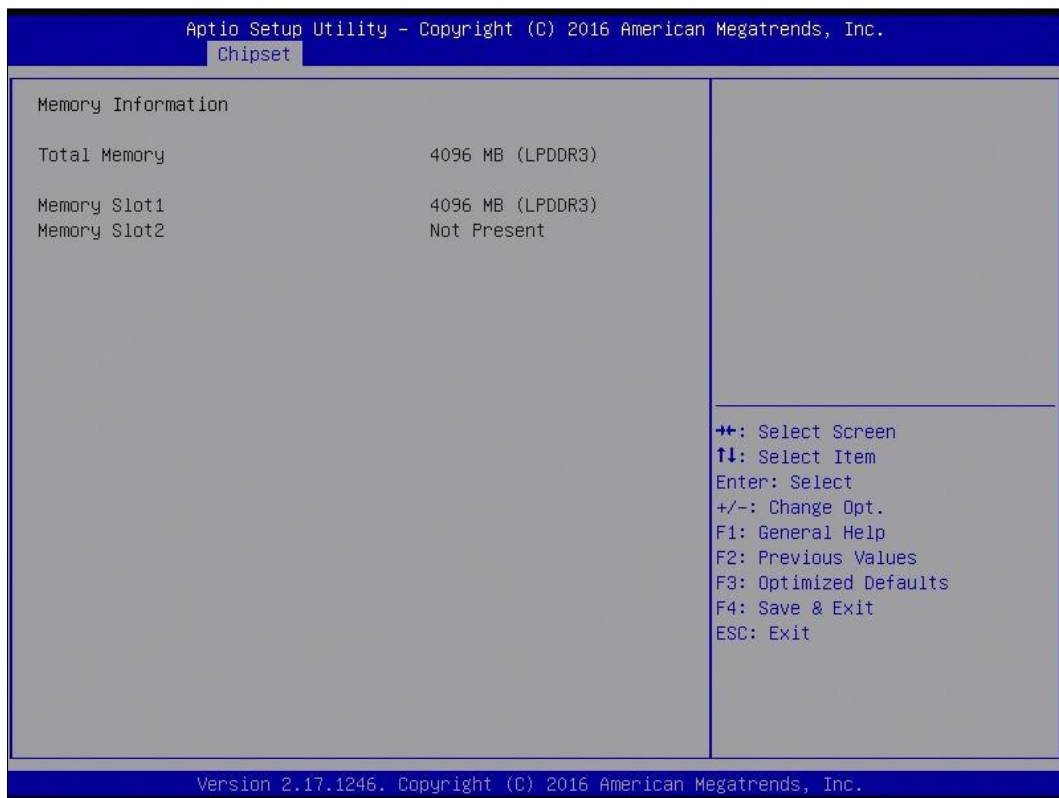
### 4.4.10 USB Configuration

Aptio Setup Utility - Copyright (C) 2016 American Megatrends, Inc.		
Advanced		
USB Configuration		Enables Legacy USB support. AUTO option disables legacy support if no USB devices are connected. DISABLE option will keep USB devices available only for EFI applications.
USB Module Version	8.11.03	
USB Devices:		
1 Keyboard, 3 Hubs		
Legacy USB Support	[Enabled]	
XHCI Hand-off	[Enabled]	
EHCI Hand-off	[Enabled]	
USB Mass Storage Driver Support	[Enabled]	
USB hardware delays and time-outs:		
USB transfer time-out	[20 sec]	←→: Select Screen
Device reset time-out	[20 sec]	↑↓: Select Item
Device power-up delay	[Auto]	Enter: Select
		+/-: Change Opt.
		F1: General Help
		F2: Previous Values
		F3: Optimized Defaults
		F4: Save & Exit
		ESC: Exit
Version 2.17.1246. Copyright (C) 2016 American Megatrends, Inc.		

## 4.5 Chipset Settings

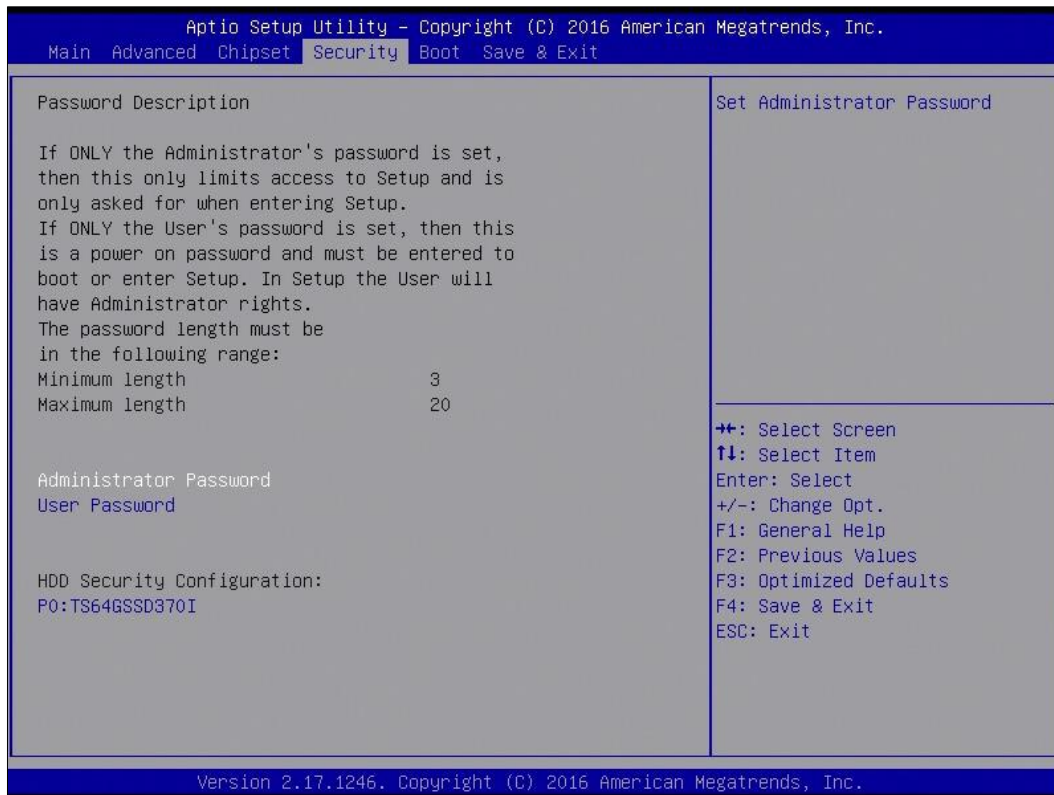


### 4.5.1 North Bridge



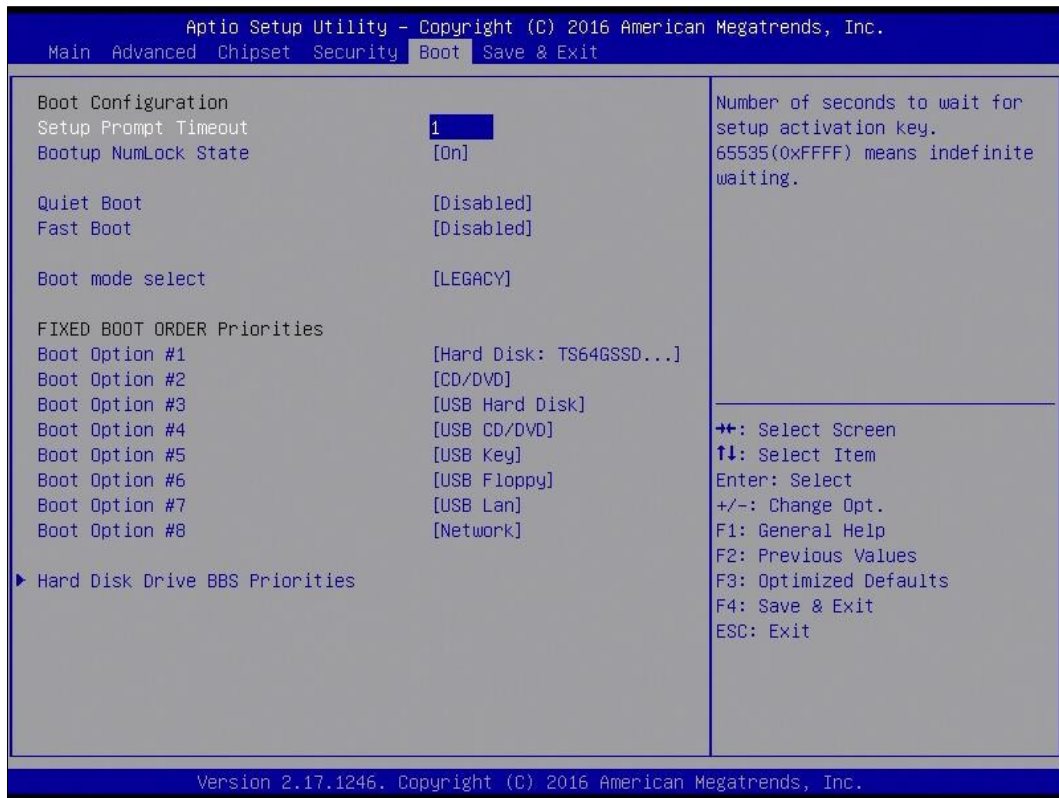
## 4.6 Security Settings

This section allows you to configure, improve your system, and set up some system features according to your preference.



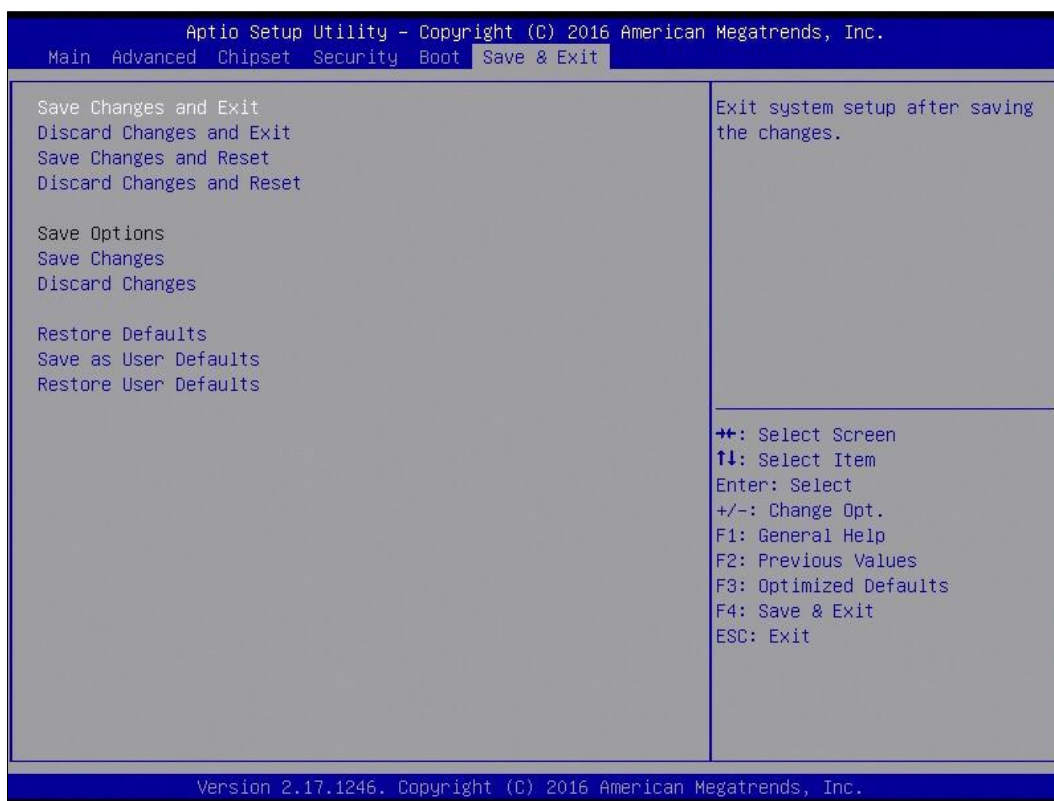
BIOS Setting	Description
Administrator Password	Sets an administrator password for the setup utility.
User Password	Sets a user password.

## 4.7 Boot Settings



BIOS Setting	Description
Setup Prompt Timeout	Number of seconds to wait for setup activation key. 65535 (0xFFFF) means indefinite waiting.
Bootup NumLock State	Selects the keyboard NumLock state.
Quiet Boot	Enables / Disables Quiet Boot option.
Fast Boot	Enables / Disables boot with initialization of a minimal set of devices required to launch the active boot option. Has no effect for BBS boot options.
Boot Option Priorities	Sets the system boot order.

## 4.8 Save & Exit Settings



BIOS Setting	Description
Save Changes and Exit	Exits system setup after saving the changes.
Discard Changes and Exit	Exits system setup without saving any changes.
Save Changes and Reset	Resets the system after saving the changes.
Discard Changes and Reset	Resets system setup without saving any changes.
Save Changes	Saves changes done so far to any of the setup options.
Discard Changes	Discards changes done so far to any of the setup options.
Restore Defaults	Restores / Loads defaults values for all the setup options.
Save as User Defaults	Saves the changes done so far as user defaults.
Restore User Defaults	Restores the user defaults to all the setup options.

## Appendix

This section provides the mapping addresses of peripheral devices and the sample code of watchdog timer configuration.

- I/O Port Address Map
- Interrupt Request Lines (IRQ)
- Watchdog Timer Configuration
- Software Development Kit for WDT.DLL

## A. I/O Port Address Map

Each peripheral device in the system is assigned a set of I/O port addresses which also becomes the identity of the device. The following table lists the I/O port addresses used.

Address	Device Description
070h – 07Fh	Real Time Clock
2E0h – 2E7h	Serial Port #6 (COM6) * COM6 sigals come from the on-board connector J11, and is reserved for future use to connect to CAN module.
2E8h – 2EFh	Serial Port #4 (COM4)
2F0h – 2F7h	Serial Port #3 (COM3)
2F8h – 2FFh	Serial Port #2 (COM2)
3B0h – 3DFh	Intel(R) HD Graphics
3E8h – 3EFh	Serial Port #5 (COM5) * COM5 is for internal use only.
3F8h – 3FFh	Serial Port #1 (COM1)
0000 – FFFF	PCI-e Root Complex

## B. Interrupt Request Lines (IRQ)

Peripheral devices use interrupt request lines to notify CPU for the service required. The following table shows the IRQ used by the devices on board.

Level	Function
IRQ0	System Timer
IRQ3	Serial Port #2
IRQ4	Serial Port #1
IRQ6	Serial Port #5
IRQ7	Serial Port #4
IRQ8	High precision event timer
IRQ10	Serial Port #3
IRQ11	Serial Port #6
IRQ22	High Definition Audio Controller

## C. Watchdog Timer Configuration

The Watchdog Timer (WDT) is used to generate a variety of output signals after a user programmable count. The WDT is suitable for the use in the prevention of system lock-up, such as when software becomes trapped in a deadlock. Under these sorts of circumstances, the timer will count to zero and the selected outputs will be driven.

Under normal circumstance, you will need to restart the WDT at regular intervals before the timer counts to zero.

### Sample Code:

```
//-----  
//  
// THIS CODE AND INFORMATION IS PROVIDED "AS IS" WITHOUT WARRANTY OF ANY  
// KIND, EITHER EXPRESSED OR IMPLIED, INCLUDING BUT NOT LIMITED TO THE  
// IMPLIED WARRANTIES OF MERCHANTABILITY AND/OR FITNESS FOR A PARTICULAR  
// PURPOSE.  
//  
//-----  
#include <dos.h>  
#include <conio.h>  
#include <stdio.h>  
#include <stdlib.h>  
#include "F81866.H"  
//-----  
int main (int argc, char *argv[]); void EnableWDT(int);  
void DisableWDT(void);  
//-----  
int main (int argc, char *argv[])  
{  
    unsigned char bBuf; unsigned char bTime; char **endptr;  
  
    char SIO;  
    printf("Fintek 81866 watch dog program\n"); SIO = Init_F81866();  
    if (SIO == 0)  
    {  
        printf("Can not detect Fintek 81866, program abort.\n"); return(1);  
    }/if (SIO == 0)  
  
    if (argc != 2)  
    {  
        printf(" Parameter incorrect!!\n"); return (1);  
    }  
  
    bTime = strtol (argv[1], endptr, 10);  
    printf("System will reset after %d seconds\n", bTime);  
  
    if (bTime)  
    {    EnableWDT(bTime); } else  
    {    DisableWDT(); } return 0;
```

```

}
//-----
void EnableWDT(int interval)
{
unsigned char bBuf;

bBuf = Get_F81866_Reg(0x2B); bBuf &= (~0x20);
Set_F81866_Reg(0x2B, bBuf); //Enable WDTO

Set_F81866_LD(0x07); //switch to logic device 7
Set_F81866_Reg(0x30, 0x01); //enable timer

bBuf = Get_F81866_Reg(0xF5); bBuf &= (~0x0F);
bBuf |= 0x52;
Set_F81866_Reg(0xF5, bBuf); //count mode is second Set_F81866_Reg(0xF6,
interval); //set timer
bBuf = Get_F81866_Reg(0xFA); bBuf |= 0x01;
Set_F81866_Reg(0xFA, bBuf); //enable WDTO output

bBuf = Get_F81866_Reg(0xF5); bBuf |= 0x20;
Set_F81866_Reg(0xF5, bBuf); //start counting
}
//-----
void DisableWDT(void)
{
unsigned char bBuf;
Set_F81866_LD(0x07); //switch to logic device 7 bBuf = Get_F81866_Reg(0xFA);
bBuf &= ~0x01;
Set_F81866_Reg(0xFA, bBuf); //disable WDTO output

bBuf = Get_F81866_Reg(0xF5); bBuf &= ~0x20;
bBuf |= 0x40;
Set_F81866_Reg(0xF5, bBuf); //disable WDT
}
//-----

```

# iBASE

```
//-----  
//  
// THIS CODE AND INFORMATION IS PROVIDED "AS IS" WITHOUT WARRANTY OF ANY  
// KIND, EITHER EXPRESSED OR IMPLIED, INCLUDING BUT NOT LIMITED TO THE  
// IMPLIED WARRANTIES OF MERCHANTABILITY AND/OR FITNESS FOR A PARTICULAR  
// PURPOSE.  
//  
//-----  
#include "F81866.H"  
#include <dos.h>  
//-----  
unsigned int F81866_BASE; void Unlock_F81866 (void); void Lock_F81866 (void);  
//-----  
unsigned int Init_F81866(void)  
{  
    unsigned int result; unsigned char ucDid;  
  
    F81866_BASE = 0x4E;  
    result = F81866_BASE;  
  
    ucDid = Get_F81866_Reg(0x20);  
    if (ucDid == 0x07) //Fintek 81866  
    {    goto Init_Finish; }  
  
    F81866_BASE = 0x2E;  
    result = F81866_BASE;  
  
    ucDid = Get_F81866_Reg(0x20);  
    if (ucDid == 0x07) //Fintek 81866  
    {    goto Init_Finish; }  
  
    F81866_BASE = 0x00;  
    result = F81866_BASE;  
  
    Init_Finish:  
    return (result);  
}  
//-----  
void Unlock_F81866 (void)  
{  
    outportb(F81866_INDEX_PORT, F81866_UNLOCK); outportb(F81866_INDEX_PORT,  
    F81866_UNLOCK);  
}  
//-----  
void Lock_F81866 (void)  
{  
    outportb(F81866_INDEX_PORT, F81866_LOCK);  
}  
//-----  
void Set_F81866_LD( unsigned char LD)  
{  
    Unlock_F81866();  
    outportb(F81866_INDEX_PORT, F81866_REG_LD);  
    outportb(F81866_DATA_PORT, LD); Lock_F81866();  
}
```

```

}
//-----
void Set_F81866_Reg( unsigned char REG, unsigned char DATA)
{
Unlock_F81866(); outportb(F81866_INDEX_PORT, REG); outportb(F81866_DATA_PORT,
DATA); Lock_F81866();
}
//-----
unsigned char Get_F81866_Reg(unsigned char REG)
{
unsigned char Result; Unlock_F81866();
outportb(F81866_INDEX_PORT, REG); Result = inportb(F81866_DATA_PORT);
Lock_F81866();
return Result;
}
//-----

//-----
//
// THIS CODE AND INFORMATION IS PROVIDED "AS IS" WITHOUT WARRANTY OF ANY
// KIND, EITHER EXPRESSED OR IMPLIED, INCLUDING BUT NOT LIMITED TO THE
// IMPLIED WARRANTIES OF MERCHANTABILITY AND/OR FITNESS FOR A PARTICULAR
// PURPOSE.
//
//-----
#ifndef F81866_H
#define F81866_H 1
//-----
#define F81866_INDEX_PORT (F81866_BASE)
#define F81866_DATA_PORT (F81866_BASE+1)
//-----
#define F81866_REG_LD 0x07
//-----
#define F81866_UNLOCK 0x87
#define F81866_LOCK 0xAA
//-----
unsigned int Init_F81866(void);
void Set_F81866_LD( unsigned char);
void Set_F81866_Reg( unsigned char, unsigned char); unsigned char
Get_F81866_Reg( unsigned char);
//-----
#endif // F81866_H

```

## D. Software Development Kit for WDT.DLL

### 1. OS Supported

Windows SP (32-bit / 64-bit) or above

### 2. Driver Installation

- For 32-bit environment:

Step 1:

Copy the file **KMUI32\_1K.SYS** to <%WINDIR%>\SYSTEM32\DRIVERS.

Step 2:

The following parameters must be written to your registry.

```
HKLM,"System\CurrentControlSet\Services\KMUI32_1K","ErrorControl",%REG_DWORD%,0x00000001
```

```
HKLM,"System\CurrentControlSet\Services\KMUI32_1K","Type",%REG_DWORD%,0x00000001
```

```
HKLM,"System\CurrentControlSet\Services\KMUI32_1K","Start",%REG_DWORD%,0x00000000
```

```
HKLM,"System\CurrentControlSet\Services\KMUI32_1K","DisplayName",%REG_SZ%,"KMUI32_1K"
```

Step 3:

Restart the system.

- **For 64-bit environment:**

Step 1:

Copy "KMUI64\_1K.SYS" file to <%WINDIR%>\SYSTEM32\DRIVERS

Step 2:

The following parameters must be written to your registry.

```
HKLM,"System\CurrentControlSet\Services\KMUI64_1K","ErrorControl",  
%REG_DWORD%,0x00000001
```

```
HKLM,"System\CurrentControlSet\Services\  
KMUI64_1K","Type",%REG_DWORD%,0x00000001
```

```
HKLM,"System\CurrentControlSet\Services\  
KMUI64_1K","Start",%REG_DWORD%,0x00000000
```

```
HKLM,"System\CurrentControlSet\Services\  
KMUI64_1K","DisplayName",%REG_SZ%,"KMUI64_1K"
```

Step 3:

Restart the system.

---

**Note:** Do not install both of the 32-bit and 64-bit drivers on an operating system.

---

### 3. Exporition from IB\_WDT.DLL / IB\_WDT.64.DLL

```
extern "C" __declspec(dllexport) int __stdcall InstallDriver(void);
extern "C" __declspec(dllexport) int __stdcall RemoveDriver(void);
extern "C" __declspec(dllexport) char* __stdcall GetWDTInfo(void);
extern "C" __declspec(dllexport) int __stdcall EnableWDT(int);
extern "C" __declspec(dllexport) int __stdcall DisableWDT(int);
extern "C" __declspec(dllexport) int __stdcall IsDioAvailable(int);
extern "C" __declspec(dllexport) int __stdcall SetDioInputMask(int);
extern "C" __declspec(dllexport) int __stdcall SetDioOutputMask(int);
extern "C" __declspec(dllexport) int __stdcall GetDioInput(int);
extern "C" __declspec(dllexport) int __stdcall SetDioOutput(int);
```

---

**Note:**

1. The **IB\_WDT.DLL** is of 32-bit and works on 32-bit and 64-bit Windows operating system. The "IB\_WDT.64.DLL" is for 64bit Windows only.
  2. The routines are not thread-safe. Your software engineers should take the responsibility to avoid multi-entry condition.
- 

#### ● Driver Initialization & Deinitialization

```
extern "C" __declspec(dllexport) int __stdcall InstallDriver(void);
```

Input : None

Output : Return 1 if device driver loads successfully; otherwise return 0.

**Note:** This function should be invoked before Watchdog and Digital I/O routines.

```
extern "C" __declspec(dllexport) int __stdcall RemoveDriver(void);
```

Input : None

Output : Always return 1.

**Note:** This function should be invoked before the program closes and it will release the device driver and memory for **ib\_wdt.dll**. If the program is closed without calling this routine, resource leak may occur.

- **Watchdog**

```
extern "C" __declspec(dllexport) char * __stdcall GetWDTInfo(void);
```

Input : None

Output : Return a string that describes the module information.

```
extern "C" __declspec(dllexport) int __stdcall EnableWDT(int);
```

Input : Timer interval, depending on the WDT chip

Output : Always return "0"

For further information, refer to the datasheet for WDT or contact your sales representative.

```
extern "C" __declspec(dllexport) int __stdcall DisableWDT(int);
```

Input : Dummy data and will be ignored.

Output : Always return "0"

- **Digital I/O**

```
extern "C" __declspec(dllexport) int __stdcall IsDioAvailable(int);
```

Input : Dummy data and will be ignored

Output : Return 1 if the digital I/O is available, otherwise return 0.

```
extern "C" __declspec(dllexport) int __stdcall SetDioInputMask(int);
```

Input: : Hardware parameter for digital I/O input function call.

For example, the 6 GPIO functions:

GPIO\_0 to GPIO\_2 are mapped as the input functions, and GPIO\_4 to GPIO\_6 are mapped as the output functions.

In this case, the parameter for “SetDioInputMask” is 0x07 and it indicates that GPIO\_0 to GPIO\_2 are the input functions.

The parameter for “SetDioOutputMask” is 0x70 and it indicates that GPIO\_4 to GPIO\_6 are the output functions.

Output : Dummy data and should be ignored.

```
extern "C" __declspec(dllexport) int __stdcall SetDioOutputMask(int);
```

Input : Hardware parameter for digital I/O output function call

For further information, refer to the following explanation of “SetDioInputMask” routine.

**SetDioInputMask:**

```

if ((*lpIsDioAvailable)(0))
    {
        int DioInput;
        printf(" Test for digital IO ....\n");

        //Please check digital IO setting in BIOS setup utility
        //Here example as follow:
        // Digital GPIO [1..3] = Input
        // Digital GPIO [4..6] = Output

        //set hardware information for GPIO chip
        //bit 0..2 : input for GPIO_0 to GPIO_2
        //bit 4..6 : output for GPIO_4 to GPIO_6
        (*lpSetDioInputMask)(0x07);
        (*lpSetDioOutputMask)(0x70);

        DioInput = (*lpGetDioInput)(0);
        printf(" Current GPIO_0 to GPIO_2 is 0x%X\n", DioInput);

    while(1)
    {
        (*lpSetDioOutput)(0x00);
        printf(" Set GPIO_4 to GPIO_6 to LOW\n");
        (*lpSetDioOutput)(0x70);
        printf(" Set GPIO_4 to GPIO_6 to HIGH\n");
        (*lpSetDioOutput)(0x30);
        printf(" Set GPIO_4 to GPIO_5 to HIGH\n");
        (*lpSetDioOutput)(0x60);
        printf(" Set GPIO_5 to GPIO_6 to HIGH\n");

        Sleep(500);
        if (_kbhit())
        {
            break;
        }
    }//if (kbhit())
    }//while(1)
} //if ((*lpIsDioAvailable)(0))

```

---

**Note:** Be sure to set up the input / output for GPIO bits in BIOS identically with the GPIO hardware information above.

---

## E. Motherboard MCU ISP Specifications

### 1. Description

Security MCU provides following functionality

- **Getting Firmware Version**  
Software can get the firmware version, MCU provides commands to get current Major Version, Minor version and build version.
- **Setting Power-On-Delay Timer**  
MCU provides command to set power on delay timer, when arrived the setting time, MCU will send power button to let the system power on.
- **Setting Power-Off-Delay Timer**  
MCU provides command to set power off delay timer, when arrived the setting time, MCU will send power button to let the system power off.
- **Getting Status**  
MCU provides command to get current status which includes the power on delay timer setting value and power off delay timer setting value.

---

**Note:** Before using the ISP, your software engineer has to make sure the firmware version (GET\_FORMWARE\_VERSION) MUST be as follows to make the ISP function workable.

Major version is 0.

Minor version is 0.

Build version is 1 (or above).

---

## 2. Protocol

- **Signal transmit format**

### Bandwidth

Baud rate: 19200 bps

### Data Format

Parity: No Parity

1 start bit

8 data bits

1 stop bit

- **Packet Format**

Header	Size	Command	Data	CRC
2 bytes	1 byte	1 byte	0 – 64 bytes	2 bytes

**Header** bytes indicate start of the packet.

**Size** specifies number of bytes for data field.

**Command** identifies action, which is required to be performed on the data.

**CRC** verifies data integrity for header, size, command and data bytes.

- **CRC**

Protocol uses 16-bit CCITT CRC to verify data integrity.

$$P(x) = X^{16} + X^{12} + X^5 + 1$$

```

unsigned calc_crc(unsigned char *data, unsigned n, unsigned start) {
    unsigned l, k, q, c, crcval;
    crcval=start;
    for (l=0; l<n; l++) {
        c=data(l) & 0xFF;
        q=(crcval^c) & 0x0F;
        crcval=(crcval>>4)^(q*0x1081);
        q=(crcval^(c>>4)) & 0x0F;
        crcval=(crcval>>4)^(q*0x1081);
    }
    return crcval;
}

```

- **Communications flow**

Communication between PC and Security MCU utilizes Master-Slave model, where PC is a master, and Security MCU is a slave. Master sends requests to the slave, and slave has to reply to them. Slave acts like a passive device and cannot send any requests to the master.

### 3. Command and Reply Codes

- **Summary**

Code	Value	Description
GET_FIRMWARE_VERSION	0x01	Get Firmware version
SET_POWER_ON_DELAY_TIMER	0x04	Power on delay timer setting
SET_POWER_OFF_DELAY_TIMER	0x05	Power off delay timer setting
GET_STATUS	0x10	Get Current Status

- **Getting Firmware Version**

**Parameter:** GET\_FIRMWARE\_VERSION

Reads version number of the security MCU firmware.

**Request:**

Header	Size	Command	Data	CRC
0xFF 0xEE	0x00	GET_FIRMWARE_VERSION	None	

**Reply:**

Header	Size	Command	Data	CRC
0xFF 0xEE	Size of Version structure	GET_FIRMWARE_VERSION	BSL Version Structure	

#### BSL Version Structure

Field	Type	Description
Major Version	Byte	Major version number
Minor Version	Byte	Minor version number
Build	Byte	Build version number

- **Setting Power-On Delay Timer**

**Parameter:** SET\_POWER\_ON\_DELAY\_TIMER

Sets power on delay timer.

**Request:**

Header	Size	Command	Data0	Data1	CRC
0xFF 0xEE	0x02	SET_POWER_ON_DELAY_TIMER	N (mins)	N (secs)	

**Reply**

Header	Size	Command	Data	CRC
0xFF 0xEE	0x00	SET_POWER_ON_DELAY_TIMER	None	

- **Setting Power-Off Delay Timer**

**Parameter:** SET\_POWER\_OFF\_DELAY\_TIMER

Sets power off delay timer.

**Request:**

Header	Size	Command	Data0	Data1	CRC
0xFF 0xEE	0x02	SET_POWER_OFF_DELAY_TIMER	N (mins)	N (secs)	

**Reply**

Header	Size	Command	Data	CRC
0xFF 0xEE	0x00	SET_POWER_OFF_DELAY_TIMER	None	

- **Getting Status**

Gets the power-on-delay timer and power-off-delay timer.

**Request:**

Header	Size	Command	Data	CRC
0xFF 0xEE	0x00	GET_STATUS	None	

**Reply:**

Header	Size	Command	Data	CRC
0xFF 0xEE	0x04	GET_STATUS	Status structure	

**BSL Version Structure**

Field	Type	Description
Power on delay timer	Word	Byte4+ Byte5
Power off delay timer	Word	Byte6+ Byte7