

SSPA-24

AC to DC 90W Power Adaptor

User Guide

Revision	Release Date
V1.0	2015/05/21

Copyright © 2015 IBASE Technology Inc. All Rights Reserved.

No part of this manual, including the products and software described in it, may be reproduced, transmitted, transcribed, stored in a retrieval system, or translated into any language in any form or by any means, except documentation kept by the purchaser for backup purposes, without the express written permission of IBASE Technology INC. ("IBASE").

Products and corporate names mentioned in this manual may or may not be registered trademarks or copyrights of their respective companies, and are used for identification purposes only. All trademarks are the property of their respective owners.

Every effort has been made to ensure that the contents of this manual are correct and up to date. However, the manufacturer makes no guarantee regarding the accuracy of its contents, and reserves the right to make changes without prior notice.

Table of Contents

CHAPTER 1 INTRODUCTION	3
1.1 General Description	1
1.2 Hardware Specifications	1
1.3 Dimensions	2
1.4 I/O View	2
1.5 Pin Definition	3

CHAPTER 1 INTRODUCTION

1.1 General Description

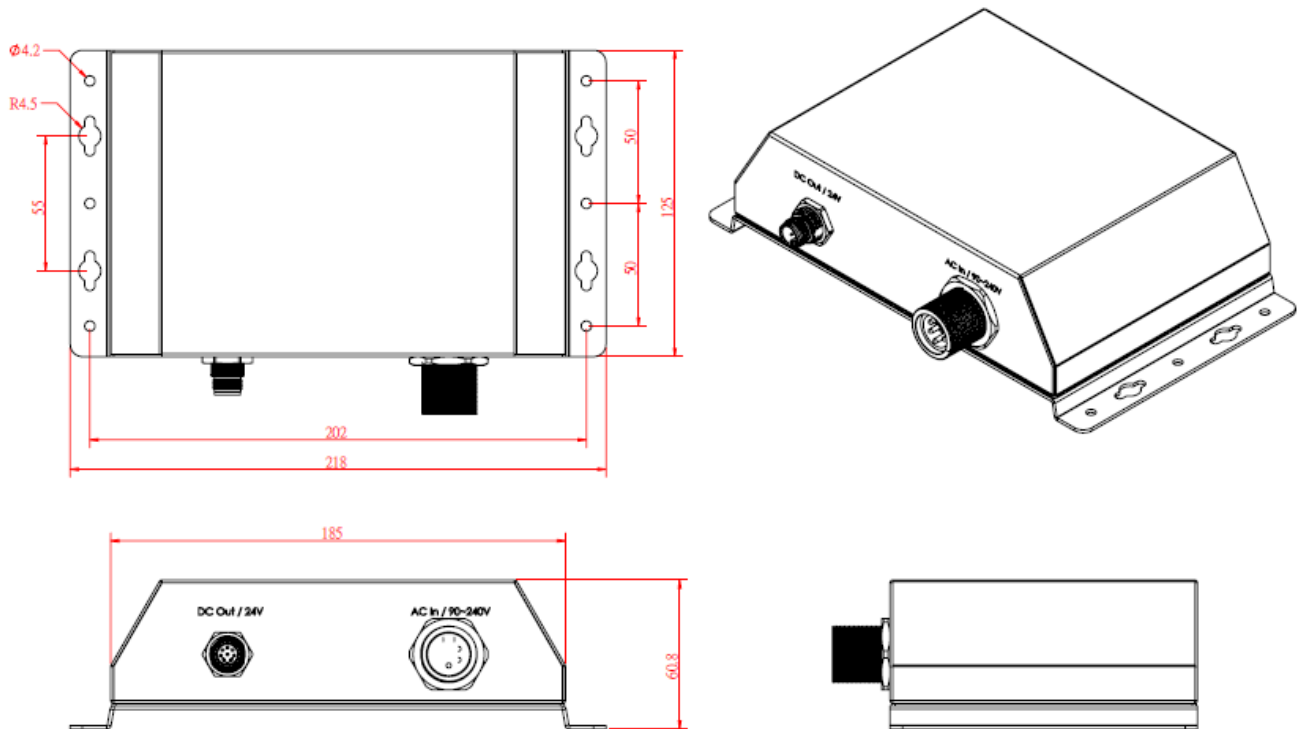
The SSPA-24 is an AC to DC 90W power adaptor with an M12 connector and features total IP56 waterproof protection. It comes with 304 stainless steel housing and optional 316 stainless steel, which makes it ideal for food, livestock, chemical, mining, petro and factory automation or any other industrial applications.

1.2 Hardware Specifications

Specifications –SSPA-24	
Edge I/O	
	<ul style="list-style-type: none"> - M23 connector AC input - 4-pin M12 connector DC output (4 pin definition: +/-G/earth ground)
Power	
Power Module	- AC/DC open frame
Power Supply	- 24V DC input
Construction	
Chassis	- 304 stainless steel / 316 stainless steel for option
Mounting	- Wall mount
Protection Class	- Total IP56
Environmental	
Temperature	<ul style="list-style-type: none"> - Operating: 0°C~ 50°C (Max 80W at 50°C) - Storage: -40°C~85°C
Humidity	- 10%~90% (non-condensing)
Regulation	- RoHS
Certification	- CE/FCC class A
Accessories	
	- Wall mount kits
	- 1 x power cable M23/3P L=5m
	- 1 x power cable M12 4P L=2m
	- Power connector for U.S. regulation (optional)
	- Power connector for EU regulation (optional)
	- Power connector for Australian regulatory (optional)

·This specification is subject to change without prior notice.

1.3 Dimensions

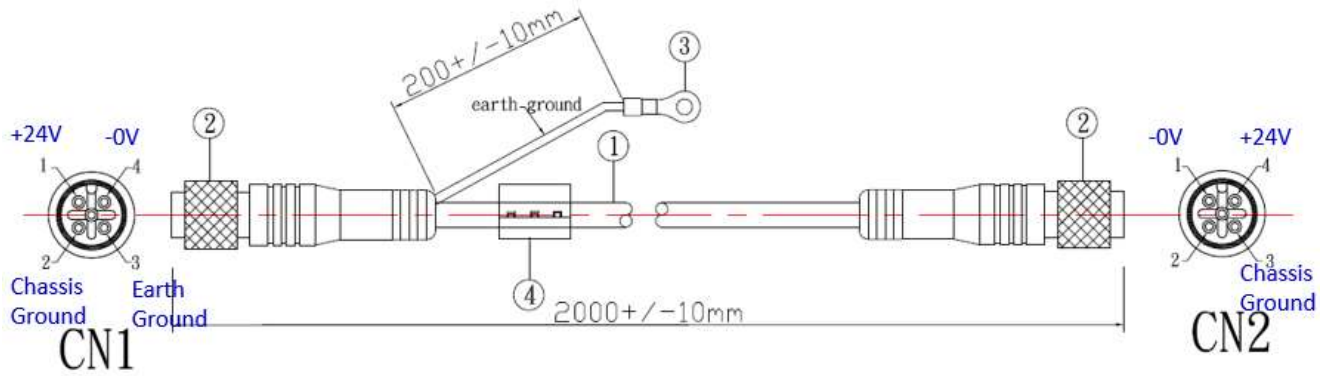


1.4 I/O View

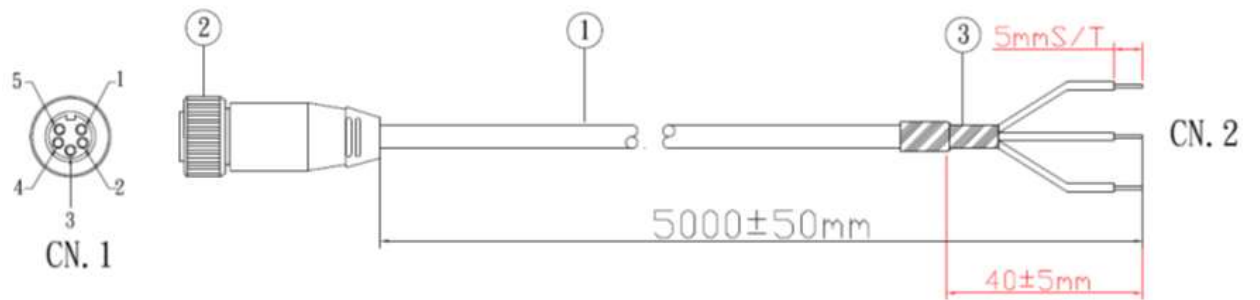


1.5 Pin Definition

M12 DC power cable



M23 AC power cable



PIN OUT		
CN. 1	Wire Color	CN. 2
1	White	L
2		
3	Green	G
4	Black	N
5		