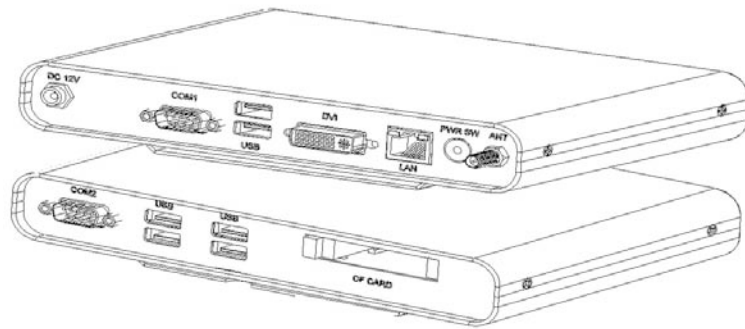


CSB200-888

User Manual



2009 October V1.0

Copyright © 2008 IBASE Technology INC. All Rights Reserved.

No part of this manual, including the products and software described in it, may be reproduced, transmitted, transcribed, stored in a retrieval system, or translated into any language in any form or by any means, except documentation kept by the purchaser for backup purposes, without the express written permission of IBASE Technology INC. ("IBASE").

Products and corporate names mentioned in this manual may or may not be registered trademarks or copyrights of their respective companies, and are used for identification purposes only. All trademarks are the property of their respective owners.

Every effort has been made to ensure that the contents of this manual are correct and up to date. However, the manufacturer makes no guarantee regarding the accuracy of its contents, and reserves the right to make changes without prior notice.

Table of Contents

<i>Accessories</i>	6
<i>Components</i>	7
Front View	7
Rear View	8
<i>Specification</i>	10
<i>Mounting CSB200-888 to VESA mounting bracket</i>	11
Mounting procedure:	11
<i>Exploded view of the CSB200-888 assembly</i>	12
Parts description	12
<i>Driver Installation</i>	13
<i>BIOS Setup</i>	13

Safety Information

Your CSB200-888 is designed and tested to meet the latest standards of safety for information technology equipment. However, to ensure your safety, it is important that you read the following safety instructions.

Setting up your system

- Read and follow all instructions in the documentation before you operate your system.
- Do not use this product near water.
- Set up the system on a stable surface or secure on wall with the provided rail. Do not secure the system on any unstable plane or without the rail.
- Do not place this product on an unstable cart, stand, or table. The product may fall, causing serious damage to the product.
- Slots and openings on the chassis are for ventilation. Do not block or cover these openings. Make sure you leave plenty of space around the system for ventilation. Never insert objects of any kind into the ventilation openings.
- This system should be operated from the type of power indicated on the marking label. If you are not sure of the type of power available, consult your dealer or local power company.
- Use this product in environments with ambient temperatures between 0°C and 45°C.
- If you use an extension cord, make sure that the total ampere rating of the devices plugged into the extension cord does not exceed its ampere rating.

Care during use

- Do not walk on the power cord or allow anything to rest on it.
- Do not spill water or any other liquids on your system.
- When the system is turned off, a small amount of electrical current still flows. Always unplug all power, and network cables from the power outlets before cleaning the system.
- If you encounter the following technical problems with the product, unplug the power cord and contact a qualified service technician or your retailer.
 - The power cord or plug is damaged.
 - Liquid has been spilled into the system.
 - The system does not function properly even if you follow the operating instructions.

- The system was dropped or the cabinet is damaged.

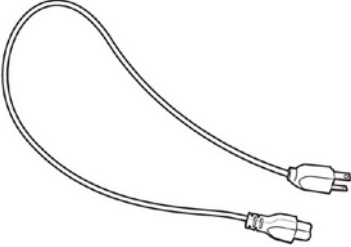

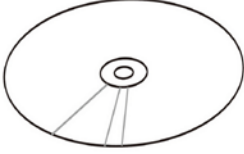
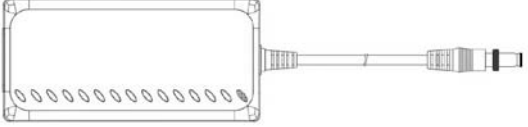

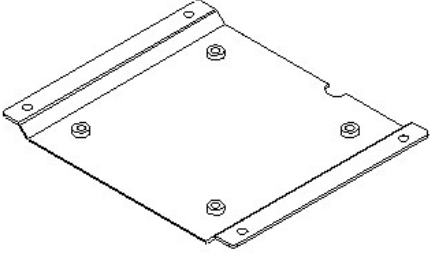
Lithium-Ion Battery Warning

CAUTION: Danger of explosion if battery is incorrectly replaced. Replace only with the same or equivalent type recommended by the manufacturer. Dispose of used batteries according to the manufacturer's instructions.

NO DISASSEMBLY

The warranty does not apply to the products that have been disassembled by users

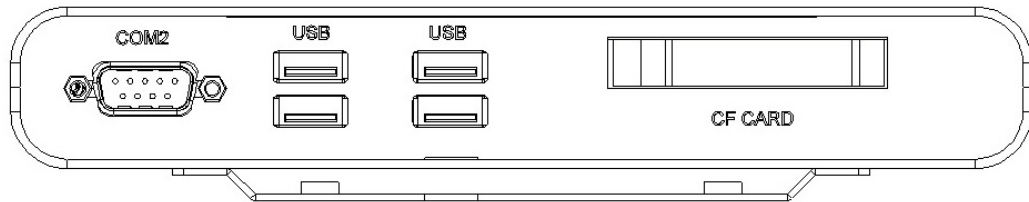
Accessories

 A power cord with a standard AC power plug on one end and a smaller, specialized connector on the other.	 A small, rectangular booklet with the words "User Manual" printed on its cover.
a. Power Cord x 1	b. M/B Manual x 1
 A standard compact disc (CD) with a central hole and a reflective surface.	 A rectangular power adapter (power brick) with a power cord extending from one side.
c. Driver CD x 1	d. Power Brick x 1
 A screw with a wide, flat, funnel-shaped head and a threaded shaft.	 A rectangular metal mounting bracket with four pre-drilled holes, one in each corner.
e. Mounting Rail Screw x 4	f. Mounting Bracket x 1

Components

Front View

Refer to the diagram below to identify the components on this side of the system.



COM2

Communication or serial port one is compatible with RS-232 interface.

USB

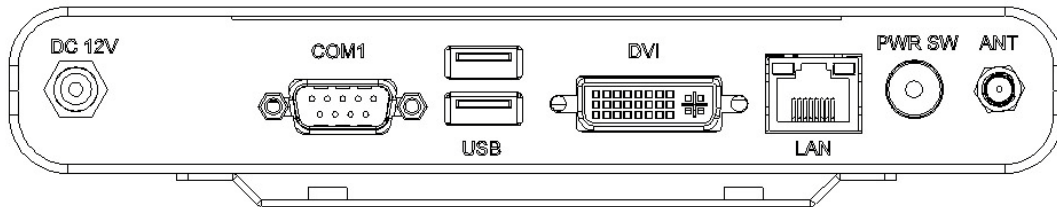
The USB (Universal Serial Bus) port is compatible with USB devices such as keyboards, mouse devices, cameras, and hard disk drives. USB allows many devices to run simultaneously on a single computer, with some peripheral acting as additional plug-in sites or hubs.

CF CARD

Compact-Flash card slot supports up to Type-II specification.

Rear View

Refer to the diagram below to identify the components on this side of the system.



DC 12V

The supplied power adapter converts AC power to DC power for use with this jack. Power supplied through this jack supplies power to the system. To prevent damage to the system, always use the supplied power adapter.

COM1

Communication or serial port one is compatible with RS-232 interface.

VGA

Video Graphic Array (VGA) port supports a VGA-compatible device such as a monitor or projector. The system default display output port.

USB

The USB (Universal Serial Bus) port is compatible with USB devices such as keyboards, mouse devices, cameras, and hard disk drives. USB allows many devices to run simultaneously on a single computer, with some peripheral acting as additional plug-in sites or hubs.

DVI

The Digital Visual Interface (DVI) port supports a high quality VGA-compatible device such as a monitor or projector to allow viewing on a larger external display.

LAN

The eight-pin RJ-45 LAN port supports a standard Ethernet cable for connection to a local network.

PWR SW

The power switch allows powering ON and OFF the system. The backlight of the power switch illuminated when system been power on.

ANT

The jack is reserve for connect the wireless antenna to enhance wireless signal reception.

Specification

System Mainboard	IB888
Construction	Steel
Chassis Color	Black
Storage	One CF type II socket
Mounting	Desktop or wall mount
Dimensions	190mm(W) x 132mm(D) x 30mm(H) (7.48" x 5.19" x 1.18")
Power Supply	60W DC adapter
Operating Temperature	0°C ~ 45°C (32°F ~ 113°F)
Storage Temperature	-20°C ~ 80°C
Relative Humidity	5~95% @45°C (non-condensing)
Vibration	0.25 grms/5~500Hz random operating 1 grms/5~500Hz random non-operating
RoHS	Available

· This specification is subject to change without prior notice.

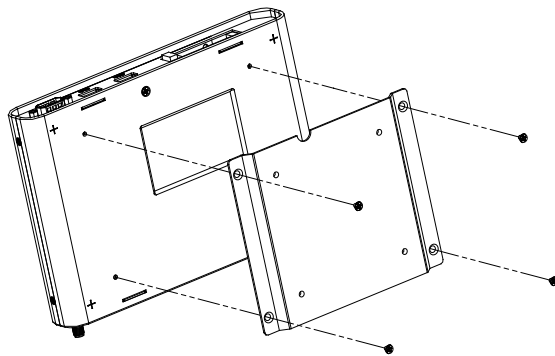
Mounting CSB200-888 to VESA mounting bracket

Using attached mounting bracket, you can install CSB200 on standard 75x75mm VESA mounting devices. Ensure the installer uses at least four M4 length 6mm maximum screws to secure the system on VESA mounting device.

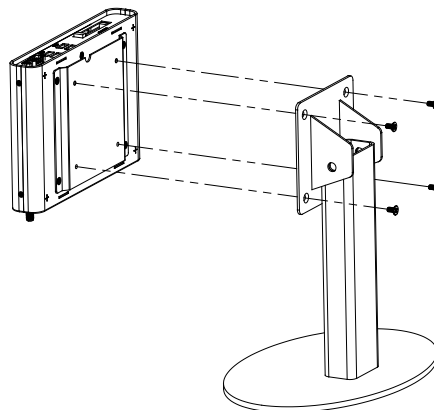
Fasteners are not included with the unit, and must be supplied by the installer. The types of fasteners required are dependent on the type of device construction. To assure proper fastener selection and installation, follow the fastener manufacturer's recommendations.

Mounting procedure:

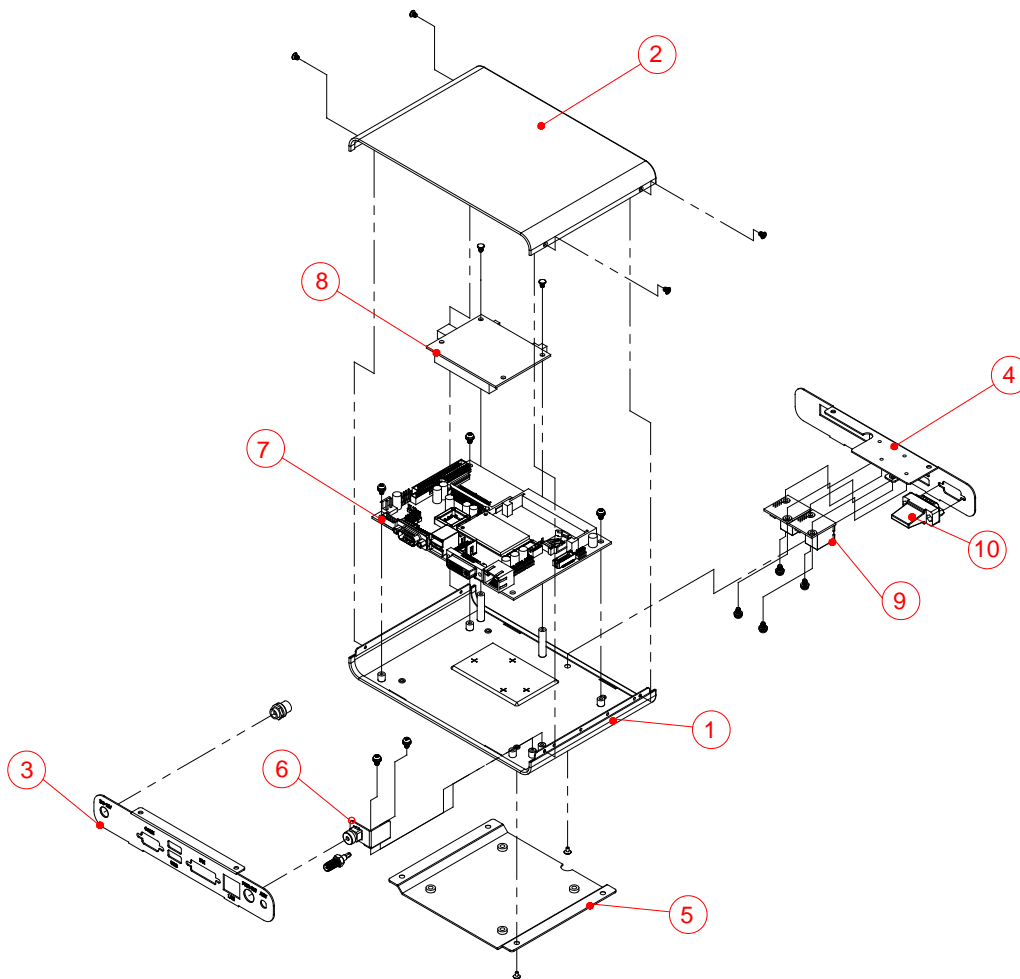
- Using four embedded M3 flat head screws to secure the mounting bracket on bottom of CSB200-888.



- Place CSB200-888 with mounting bracket on VESA75 device noting the alignment, and then secure the system with four M4 screws.



Exploded view of the CSB200-888 assembly



Parts description

Part NO.	Description	Part NO.	Description
1	Base Chassis	2	Top Cover
3	Rear IO Panel	4	Front IO Panel
5	Mounting Bracket	6	Power Button Bracket
7	IB888	8	CF Bracket
9	ID112 x 2	10	COM Port Extension

Driver Installation

Please refer correspond mainboard user manual to install the driver properly.

BIOS Setup

Please refer correspond mainboard user manual to configure BIOS setting.