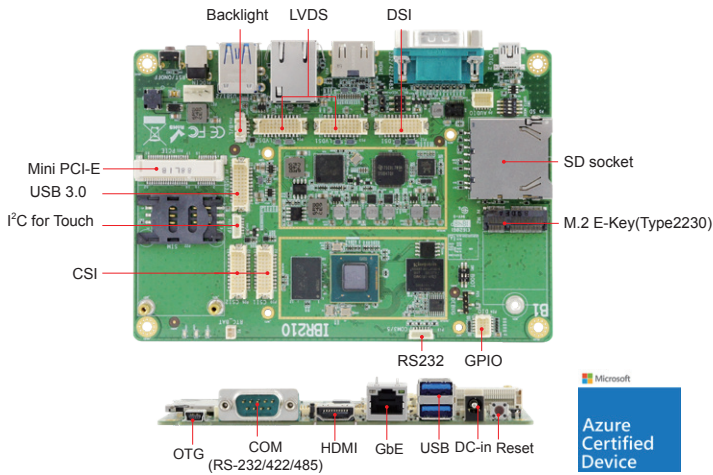


IBR210

Single Board Computer

Low-Power 3.5" SBC
with NXP ARM® Quad Cortex-A53/Cortex-M4 i.MX 8M Processor



Specifications

Form Factor	3.5-inch SBC
Processor	NXP i.MX 8M Quad Cortex™ -A53 and Cortex™ -M4 processor
System Memory	3GB LPDDR4 on board
Flash Memory	16GB eMMC on board
Display	1x Dual Channel LVDS (FHD) 1x HDMI 2.0a
Video Codec	<ul style="list-style-type: none"> 4Kp60 HEVC/H.265 main, and main 10 decoder 4Kp60 VP9 decoder 4Kp30 AVC/H.264 decoder 1080p60 MPEG-2, MPEG-4p2, VC-1, VP8, RV9, AVS, MJPEG, H.263 decoder
Graphics	<ul style="list-style-type: none"> GC7000Lite OpenGL ES 1.1, 2.0, 3.0, 3.1, Open CL 1.2, and Vulkan
Edge I/O	<ul style="list-style-type: none"> 1x RJ45 GbE LAN 2x USB 3.0 Type-A 1x USB OTG (mini-USB Type-B) 1x HDMI 2.0a 1x RS232/422/485 (D-SUB 9 male connector) 1x SD socket (UHS-I SDR-104, 104MB/s max.) 1x on/off button
Internal I/O	<ul style="list-style-type: none"> 1x Dual channel LVDS 1x Backlight, 3.3V/1A, 5V/1A, 12V/1A (jumper selection) 1x MIPI-DSI (2*10 pin header) 2x MIPI-CSI (2*10 pin header) 2x USB 3.0 header 1x M.2 E-Key (2230) w/ USB, SDIO, UART, PCI-E 1x Mini PCI-E w/ SIM socket 1x I²C header 1x 2-wire RS232 header (for Debug Console Port) 2x 2-wire RS232 header 1x Audio header (Line-in and Line-out) 8x GPIO (2*5 pin header 1.0mm) 3x green LEDs (for power on/off, wireless status, and programmable)
Expansion IO	N/A
Watchdog	256 Levels, 0~128 secs
Dimensions	147mm x 102mm (5.8" x 4")
Power Input	12V~24V DC-in jack and Internal Header
Operating Temperature	-20°C ~ 80°C (-4°F ~ 176°F)

Features

- NXP Cortex™-A53/-M4, i.MX 8M Quad processor
- 4K HDMI, dual channel FHD LVDS
- 3GB LPDDR4, 16GB eMMC and SD socket
- Embedded I/O for COM, GPIO, USB 3.0, USB-OTG, Audio and Ethernet
- M.2 E-Key (2230) and mini-PCI-E with SIM socket for wireless/4G/LTE connectivity

Relative Humidity	10%~90% (non-condensing)
OS Support	Yocto 2.5 Android 9 UBUNTU 18.04 evaluation Other OS (by request)
Certification	CE/FCC Class-B

Ordering Information

IBR210-Q316I	Industrial Grade 3.5" SBC, i.MX 8M Quad 1.3GHz processor, 3GB LPDDR4, 16GB eMMC
--------------	---------------------------------------------------------------------------------

Dimensions

