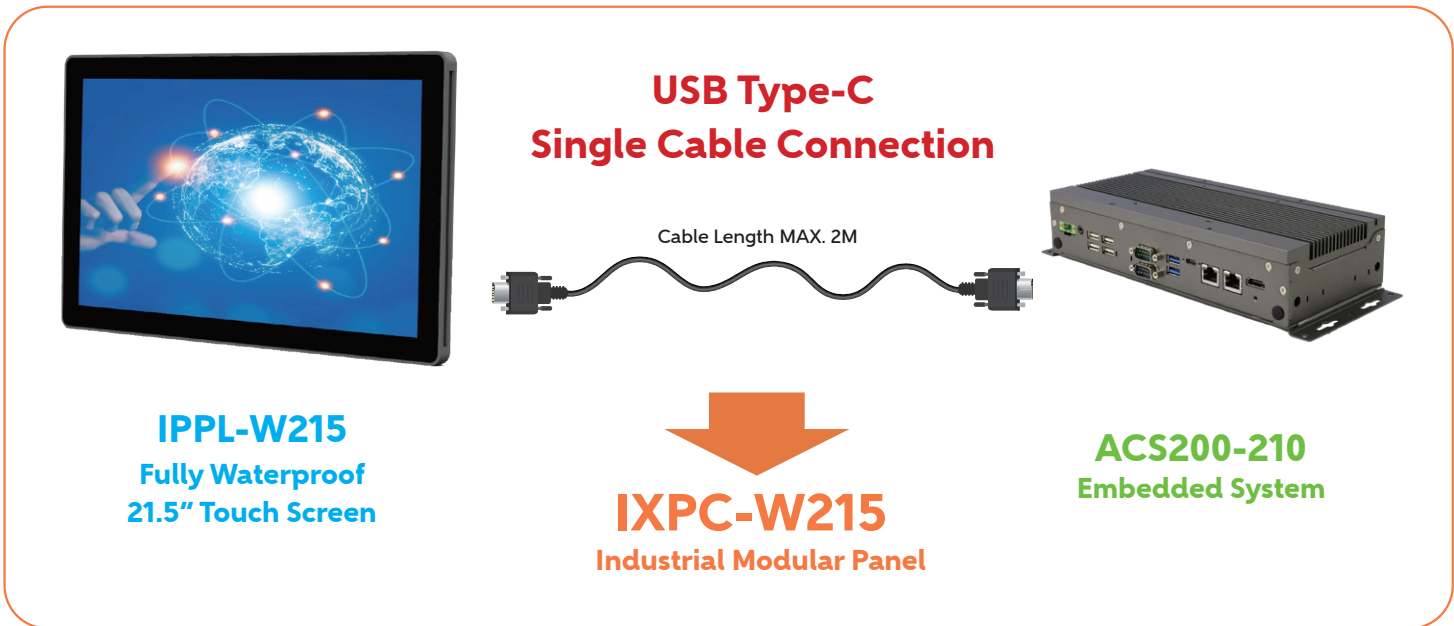
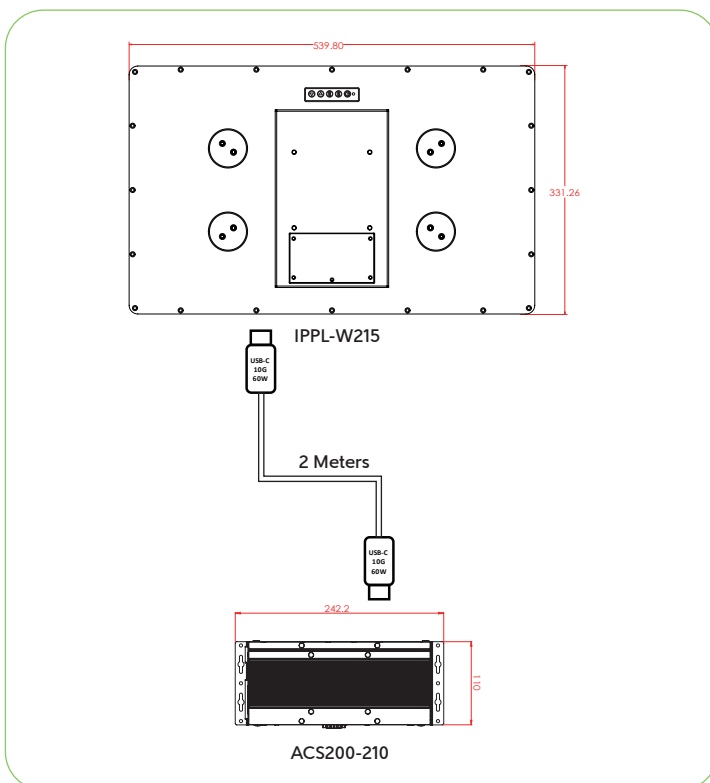


The IXPC-W215 is a two-in-one solution that seamlessly integrates a fully waterproof 21.5" IPPL-W215 touch screen with a high-power PD 60W ACS200-210 rugged embedded system via a single USB Type-C cable. This connection allows a maximum distance of 2 meters between the touch screen and the industrial-grade edge computer.

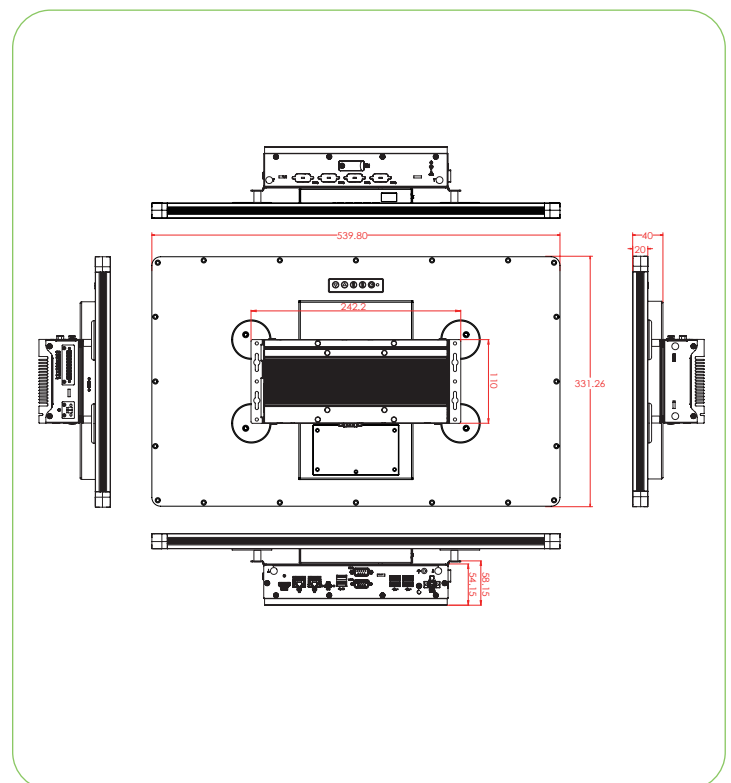
The ACS200-210 offers enhanced expansion capabilities with three M.2 sockets supporting WiFi, Bluetooth, two storages for RAID 1, 4G/5G connectivity and a Nano SIM slot for seamless, dynamic communications. Ideal for critical IoT edge applications, smart factory, and other harsh industrial environments, it allows the touch screen and systems to operate separately with maximum efficiency.



Combination Mode 1 :
Two-in-One within 2M Range



Combination Mode 2 :
Two-in-One with Rear-Mounted System



IXPC-W215 Industrial Modular Panel

IPPL-W215 Features & Specifications

- Compliance with EU 6mm T&V-Slot™ Linear Rail Groove
- 21.5" true-flat FHD LCD panel with projected capacitive touchscreen
- Fully Waterproof Design (Front Panel IP65 and Body IP54)
- USB-C single cable connection (PD35W)
- Supports auto dimming function
- Supports HDMI-IN, 2x USB 2.0, Audio out and DC-IN
- Wide Range Power Input +12V ~ 24 VDC

Display	Panel Size (inch)	21.5 (16:9)
	View Angle (H°/V°)	178° / 178°
	Resolution	1920 x 1080
	Brightness (cd/m2)	800
	Contrast Ratio	1000 : 1
	Panel Interface	LVDS
Touch Screen	Type	Projected Capacitive touch
	Point of touch	10
	Light Transmission (%)	85±2.5%
	Glass Thickness	3mm
	Surface Hardness	7H
	Touch Interface	USB

Power	Power Input Range	+12V ~24V DC
Mechanical	Dimensions (mm)	540 x 331 x 40
	Net Weight (kgs)	5.6
I/O Interface	USB 3.0	1x USB Type-C (Alternate mode)
	USB 2.0	2
	LAN	N/A
	HDMI-IN	1
	Audio Out	1
	DC-in	DC Jack 55mm/25mm
	OSD Button	1
Environmental	Operating Temperature	0°C~45°C
	Storage Temperature	-20~60°C
	Storage Humidity	5%~90% @ 50°C, (non-condensing)
	Certification	CE/FCC Class-B
Construction	Chassis Material	Aluminum and SGCC
	Color (Front/Back)	Gray / Black
	IP Rating	IP65 front-panel waterproof and body IP54
	Mounting	VESA 100x100 mm

ACS200-210 Features & Specifications

- Intel® Atom® x7000E Series / N-series / Core™ 3 N355 Processors (formerly Alder Lake-N / Amston Lake / Twin Lake)
- 2x COM and Optional 4x Power COM 3~6 (Pin9 5V,12V)
- 4x DI, 4x DO, 2x USB 3.2, 4x USB 2.0, USB Type-C (supports Alternate mode and PD 60W)
- Supports M.2 sockets for Wi-Fi / BT and 4G/5G communication with Nano SIM slot
- Supports hardware TPM 2.0 security
- Wide Range Power Input +9V ~ 36V DC-IN
- Extended operating temperature Max. from -30°C to 50°C

System	Processor	Intel® Atom® N97 Processor (Quad-Core @ 3.6GHz) Intel® Core™ 3 N305 Processor (Eight-Core @ 3.8GHz) Intel® Atom® X7835RE Processor (Eight-Core @ 3.6GHz) Intel® Core™ 3 Processor N355 Processor (Eight-Core @ 3.9GHz)
	Memory	1x DDR4 SO-DIMM, up to 16GB, default 8GB
	Thermal Design	Fanless
	Membrane Control	None
	Built-in Speaker/Mic	None
	Expansion	Internal Expansion Bus
Expansion Slot		N/A
Wireless		Optional Wi-Fi/BT/4G/5G/LTE
Storage Space		N/A
Storage Space	HDD	N/A
	Removable	N/A

Power	Power Input Range	+9V ~ 36V DC
Mechanical	Dimensions (mm)	242.2 x 110 x 54.15
	Net Weight (kgs)	1.65
I/O Interface	USB 3.0	2x USB 3.2 1x USB Type-C (Alternate mode w/ PD 60W)
	USB 2.0	4
	RS-232/422/485 Selectable via BIOS	COM 1
	RS-232	COM 2 and optional 3~6 ports
	LAN	2x GbE
	Additional Graphics	HDMI 1x USB-C (DP Alternate mode)
	Audio	Combo Jack
	Digital I/O	4x DI and DOx4
	Power Connector	2Pin Bare-Wire DC-in & GND Screw
	Power Button	Tact Switch
Construction	Chassis Material	Aluminum and SGCC
	Color (Front/Back)	Gray / Gray
	IP Rating	2x
	Mounting	VESA 75x75 and 100x100 mm, Optional DIN-Rail kit, Wall Mount
Environmental	Operating Temperature	-20°C~45°C for N97, N305 and N355 -30°C~50°C for X7835RE with air flow
	Storage Temperature	N97, N305 and N355: -30~60°C X7835RE: -40~80°C
	Storage Humidity	5%~90% @ 50°C, (non-condensing)
	Certification	CE/FCC Class-B
	Supported Operating Systems	Microsoft Windows 10,11, Linux Kernel 4+

● NOTE: Other panel size requirements. Please contact sales.