



### Features

- Modular design for easy maintenance
- With printer, NFC, scanner, PIN pad, integrated camera
- Supports both portrait and landscape display modes
- Custom modifications to the color, shape, and surface treatment

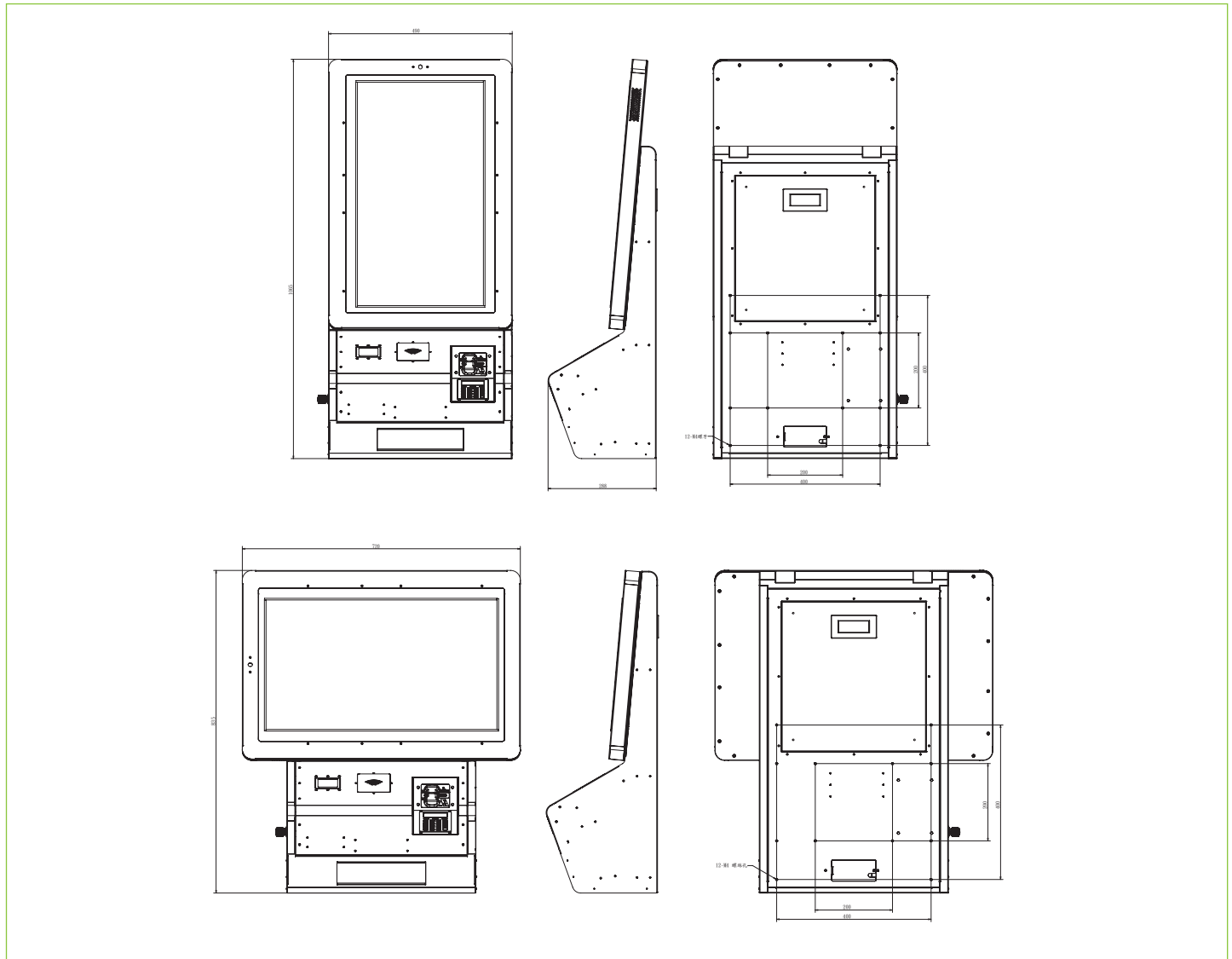
### System Specifications

| Model No.               |                          | IKS2700I   | IKS2700A  |
|-------------------------|--------------------------|--|---|
| System Mainboard        |                          | IB919AF-8665   | IB918F-1605   |
| Processor               |                          | Intel® Core™ i7-8665UE (1.7GHz/4.4GHz)   | AMD Ryzen™ V1605B QC APU (2.0GHz~3.6GHz)                              |
| Memory                  |                          | 2x DDR4 SO-DIMM, up to 32 GB, default 4GB  |   |
| Rear Panel External I/O |                          | N/A  |   |
| Storage                 |                          | 2x 2.5" SATA III space (default 2x 64GB)   | 1x 2.5" SATA III space (default 64GGB)<br>1x M.2 M2280 (default 64GB) |
| Expansion Slots         |                          | 1x M.2 M2280 socket<br>1x M.2 E2230 socket reserved for optional WiFi                | 1x M.2 E2230 socket reserved for optional WiFi                        |
| Power Supply            |                          | 100V~240V AC   |   |
| LCD Panel               | Panel Size               | 27" TFT-LCD  |   |
|                         | Max. Resolution          | 1920 x 1080  |   |
|                         | Luminance (cd/m2)        | 250  |   |
|                         | Max. Color               | 16.7M  |   |
|                         | View Angle (H°/V°)       | 178/178  |   |
|                         | Backlight Lifetime (hrs) | 30,000   |   |
| Touch Screen            | Touch Type               | Projected capacitive touch   |   |
|                         | Touch Interface          | USB  |   |
|                         | Light Transmission (%)   | 85   |   |
| Build-in Default        | Printer                  | 2" or 3" thermal printer w/ auto cutter  |   |
|                         | Scanner                  | 1D/2D barcode scanner  |   |
|                         | Camera                   | 2M camera with MIC   |   |
|                         | Speaker                  | 2x 2W  |   |
| Build-in Options        | WiFi                     | WiFi / Bluetooth module  |   |
|                         | EMV payment device       | With PCI-certified PIN pad   |   |
|                         | NFC Reader               | ISO/IEC 14443A Mifare  |   |
| Construction            |                          | Aluminum   |   |
| Chassis Color           |                          | White  |   |
| IP Rating               |                          | Front side IP4X  |   |
| Mounting                |                          | VEAS 400x200/200x200<br>Stand-Pole (option)  |   |
| Dimensions (mm)         |                          | 1065 x 490 x 288 (portrait display mode)<br>720 x 835 x 288 (landscape display mode) |   |

# IKS2700I / IKS2700A

|                       |                                |
|-----------------------|--------------------------------|
| Weight                | 40kgs                          |
| Operating Temperature | -5°C~50°C                      |
| Storage Temperature   | -20°C~70°C                     |
| Storage Humidity      | 10%~90% @40°C (non-condensing) |
| Vibration             | IEC60068-2-64 ed2.0 2008-04    |
| Shock                 | MIL-STD-810G 516.6             |
| Certification         | Meet CE/FCC Class-A +LVD       |
| Operating Systems     | Windows 10 IoT                 |

## Dimensions



## Ordering Information

|          |  |
|----------|--|
| IKS2700I | 27" 1920x1080 IBASE Kiosk System, Intel® i7 8665UE processor, 4GB DDR4 memory, 2x 64GB 2.5" SSD, thermal printer, NFC reader, barcode scanner, PIN Pad, integrated camera, projected capacitive touch screen, pre-installed Windows 10 IoT, 100V~240V AC power input                 |
| IKS2700A | 27" 1920x1080 IBASE Kiosk System, AMD Ryzen™ V1605B QC APU, 4GB DDR4 memory, 1x 64GB 2.5" SSD, 1x 64G M2280 M.2, thermal printer, NFC reader, barcode scanner, PIN Pad, integrated camera, projected capacitive touch screen, pre-installed Windows 10 IoT, 100V~240V AC power input |