

ID00H-210-IR

Outdoor Panel PC
21.5" Outdoor Sunlight Readable Panel PC
with Intel® Atom® Processor E3845

Outdoor Series 21.5"



Features

- Sunlight readable
- Vandal-proof IK06 glass protection
- Wireless supports
- IP65 front-panel waterproof protection and IP33-rated chassis
- Automatic panel brightness, air flow speed and system temperature balance system



Specifications

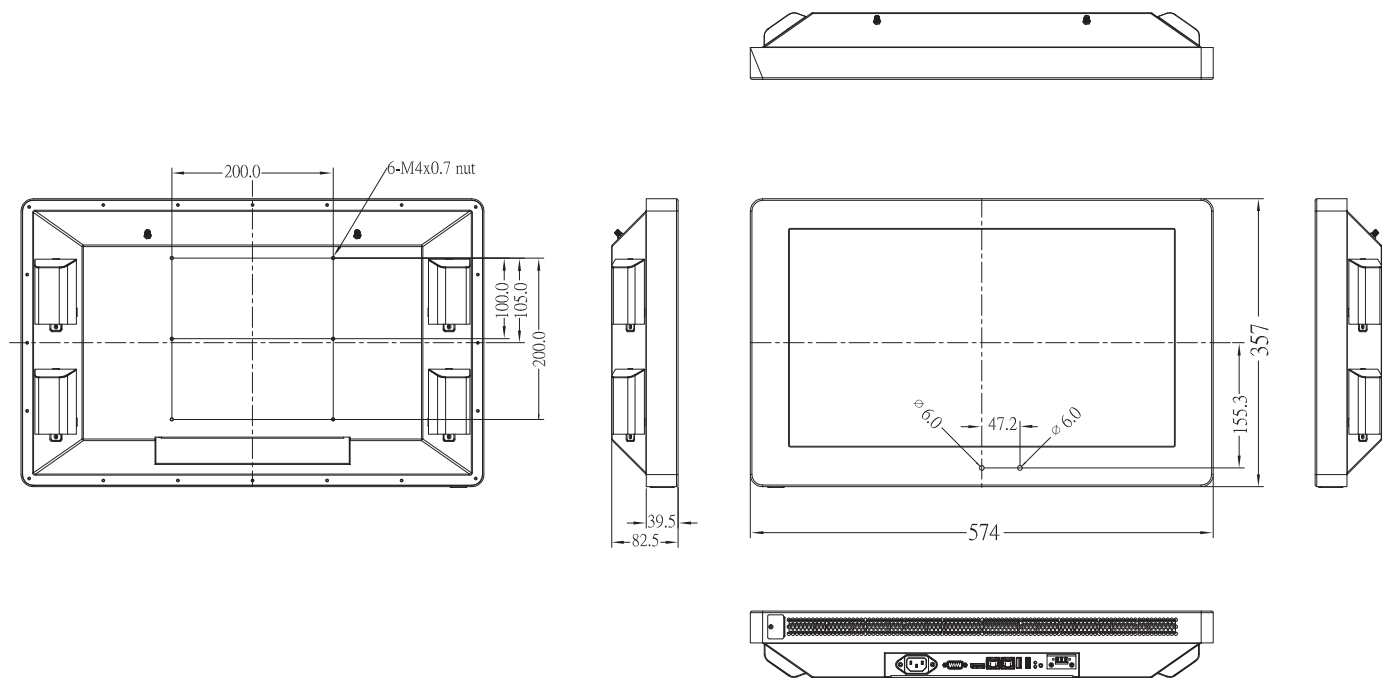
Model No.		ID00H-210-IR
Display & Touch Screen	Display Size	21.5" TFT-LCD
	Max. Resolution	1920 x 1080
	Luminance (cd/m ²)	Up to 1200nits, default @75%
	Contrast	1000:1
	Max. Color	16.7M
	View Angle (H°/V°)	140/120
	Backlight Lifetime(hrs)	50000
	Touch Type	IR touch
	Touch Interface	USB
	Light Transmission (%)	88
Point of touch	1	
I/O Interface	USB 3.0	1
	USB 2.0	1
	RS-232/422/485 Selectable in BIOS	1
	RS-232	0
	LAN	2x GbE
	Additional Graphics	DP
	Audio	None
	Digital I/O	None
	Power Connector	AC inlet
Power Button	Reset button	
Mechanical	Dimensions (mm)	574 x 357 x 82.5
	Net Weight (kgs)	7.5
System	Processor	Intel® Atom® Processor E3845 (Quad-Core @ 1.91GHz)
	Memory	2x DDR3L SO-DIMM, up to 8GB, default DDR3L 4GB (4GBx1)
	Thermal Design	Fan
	Membrane Control	None
	Built-in Speaker/MIC	None

Expansion	Internal Expansion Bus	1x Mini PCI-E(x1) w/ USB signal [half-size] 1x mSATA/Mini PCI-E(x1) w/ USB signal and mSATA Supported [full-size]
	Expansion Slot	None
	Wireless	Optional Wi-Fi/BT
Storage Space	HDD	1x 2.5" SATA
	Removable	None
Power	Power Input Range	90V ~ 240V AC
Construction	Chassis Material	Aluminum front bezel, black Black SGCC + Aluminum chassis
	Color (Front/Back)	Black/Black
	IP Rating	IP65 front-panel waterproof protection
	Mounting	Open-Frame rack mounting VESA 200x200 and 200x100 mm
Environmental	Operating Temperature	Low Temperature: -40°C with installed heater inside High Temperature: with 1120 W/m ² solar energy: 44 °C with 900 W/m ² solar energy: 50 °C
	Storage Temperature	-20°C~60°C
	Storage Humidity	5%~90% @ 50°C, (non-condensing)
	Certification	CE/FCC Class-B
	Supported Operating Systems	Windows 8 32-bit/64-bit, Windows 7 Pro for Embedded 64-bit, WES7 64-bit

IDO0H-210-IR

Dimensions

IDO0H-210-IR



Ordering Information

IDO0H-210-IR	21.5" (1920 x 1080) Outdoor Panel PC with IB897, Intel® Atom® Processor E3845 1.91GHz, 4GB DDR3L SO-DIMM, 64G SSD, IR touch
--------------	---