

Table of Contents

About IBASE	3 ~ 5
IBASE Panel PC Ecosystem	6 ~ 7
Comparison Table	8 ~ 17
USB Type-C Technology	18
IXPC Panel PC Solution for POS and Kiosk	19

1. Modular Panel PC

NEW IPPL-W156 Touch Monitor Series	
IPPL-W215 Touch Monitor Series	20 ~ 21
NEW IPPL-W270 Touch Monitor Series	
ACS200	
NEW ACS303	
NEW ACS313	
NEW ACS403	
NEW ACS413	22 ~ 23

2. Industrial Panel PC

NEW IPPC-W215	
NEW IPPC-W07	
IPPC-121	24 ~ 25
NEW IHPC-W101	

3. Outdoor Panel PC

IDOOH-215-IR	39 ~ 40
IDOOH-215-PC	41 ~ 43

4. Stainless Steel Panel PC

INOSP-152-RE / INOSP-192-RE	44 ~ 46
SSPA-24	47








6. Motherboard for Panel PC

NEW MBP-210	
NEW IDP-210	
NEW IDP-211	

7. Medical Panel PC

UMT-7212	57 ~ 58
----------	---------

About IBASE

 HQ Taipei, Taiwan	 Stock Code TPEX 8050 <small>(Since 2003)</small>	 Chairman C. S. Lin	
 Capital US\$ 66.2M	 Revenue US\$ 172M <small>(2025)</small>	 Employees 1,010 <small>(Group)</small> 770 <small>(IBASE HQ)</small>	
Design and Manufacturing of Robust Computing Platforms			

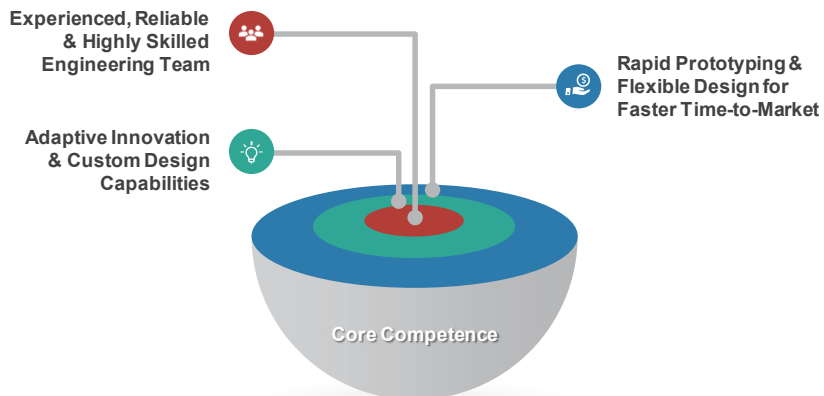
Company Profile

IBASE Technology specializes in the design and manufacture of robust industrial PC products and has been serving the global market since its establishment in 2000. All manufacturing and quality control operations are conducted in IBASE's own facilities in Taiwan, which are certified to ISO 9001, ISO 13485, ISO 14001, and ISO 27001 standards. The company's current product offerings include x86 and RISC-based industrial motherboards, embedded systems, Edge AI computers, panel PCs, network appliances, and digital signage players. IBASE is publicly listed on the Taipei Exchange (TPEX: 8050) and has become a leading global provider of innovative industrial and embedded computing solutions.



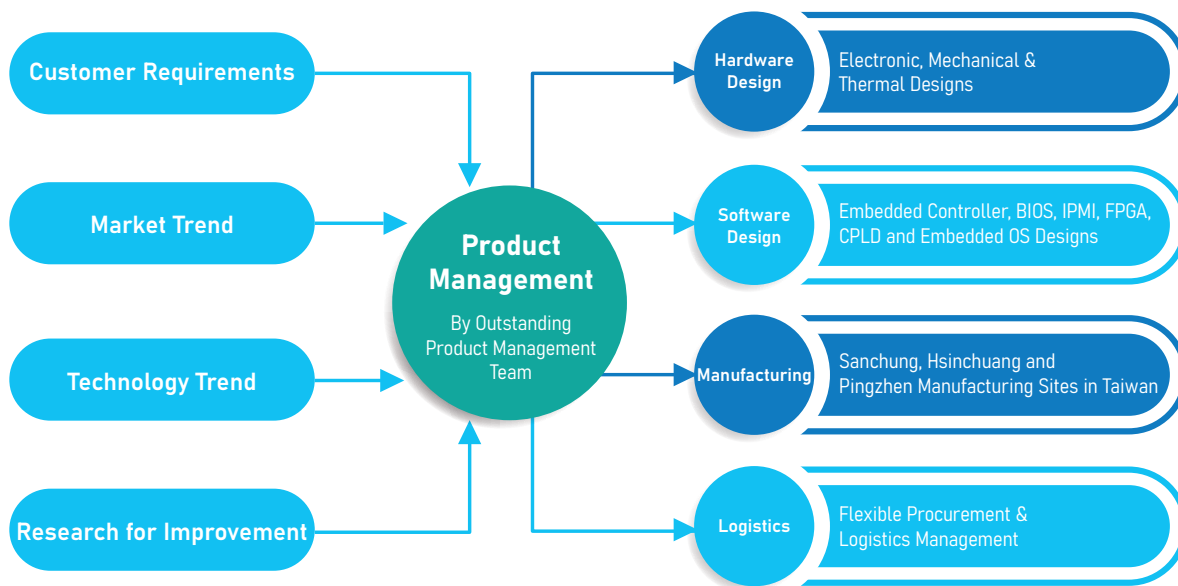
Core Competence – R&D Design Capabilities

IBASE excels in delivering advanced R&D design capabilities through a team of experienced, reliable, and highly skilled engineers. Our core expertise lies in adaptive innovation and customized design solutions tailored to diverse industry requirements. By leveraging rapid prototyping and flexible design processes, we help customers accelerate time-to-market and gain a competitive edge in today's fast-evolving technology landscape. From concept to completion, IBASE prioritizes precision, efficiency, and reliability—making us a trusted partner for businesses seeking advanced industrial computing solutions.



Design⁺, Manufacture⁺, Service⁺

Set up to become a leading global provider of embedded board and system solutions, IBASE manufacturers and supplies cutting-edge products based on the latest technologies to match market demands. Our R&D and product management teams have the expertise to design and develop innovative products that meet customers' requirements and design specifications. We attach great importance to research and development, investing heavily in manpower and resources to continuously provide high-quality innovative products. IBASE is also committed to compliance with environmental policies by working to prevent pollution with non-use of banned or restricted substances in our production process and products, helping our customers respond to their environmental challenges.



IBASE Manufacturing Sites

IBASE Manufacturing Sites in Taiwan



18,481 m² / 5,591 Ping

Pingzhen

- Board Production
- System Assembly
- Validation



6,070 m² / 1,840 Ping

Xinzhuang

- System Assembly
- Validation



3,124 m² / 945 Ping

Sanchong

- Board Production
- Validation

Total Size

297,891 Square-feet
(27,675 m² / 8,376 Ping)

Capacity

- SMT Line x 7
- DIP Assembly Line x 4
- System Assembly Line x 10
- Cleanroom x 2
- Burn-in Room x 20

PCBA

80K/month

In-house Production + Outsourcing

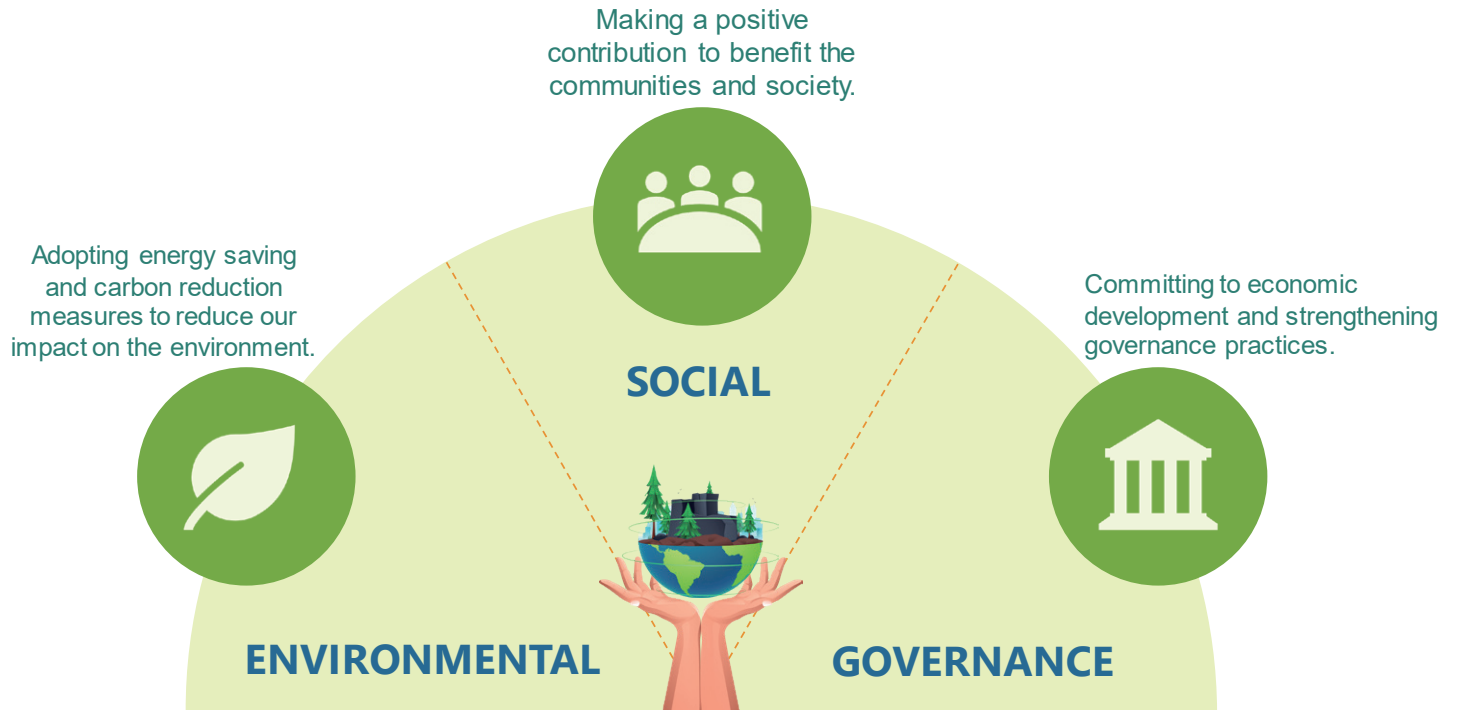
System Assembly
50K/month

In-house Production + Outsourcing

Certifications



Our ESG Commitments



Sustainable Development Goals (SDGs)

Aspects	SDGs Advocated by United Nations		
 SOCIAL	1 NO POVERTY 	4 QUALITY EDUCATION 	5 GENDER EQUALITY 
 GOVERNANCE	8 DECENT WORK AND ECONOMIC GROWTH 	9 INDUSTRY, INNOVATION AND INFRASTRUCTURE 	10 REDUCED INEQUALITIES 
 ENVIRONMENTAL	7 AFFORDABLE AND CLEAN ENERGY 	12 RESPONSIBLE CONSUMPTION AND PRODUCTION 	13 CLIMATE ACTION 

IBASE Panel PC Ecosystem

Universal Products



IPPC / IXPC / IPPL Series



ACS Series

Virtual Counter

IXPC Series

Self-Service Terminal

IPPC / IXPC Series

Door Sign

IHPC Series



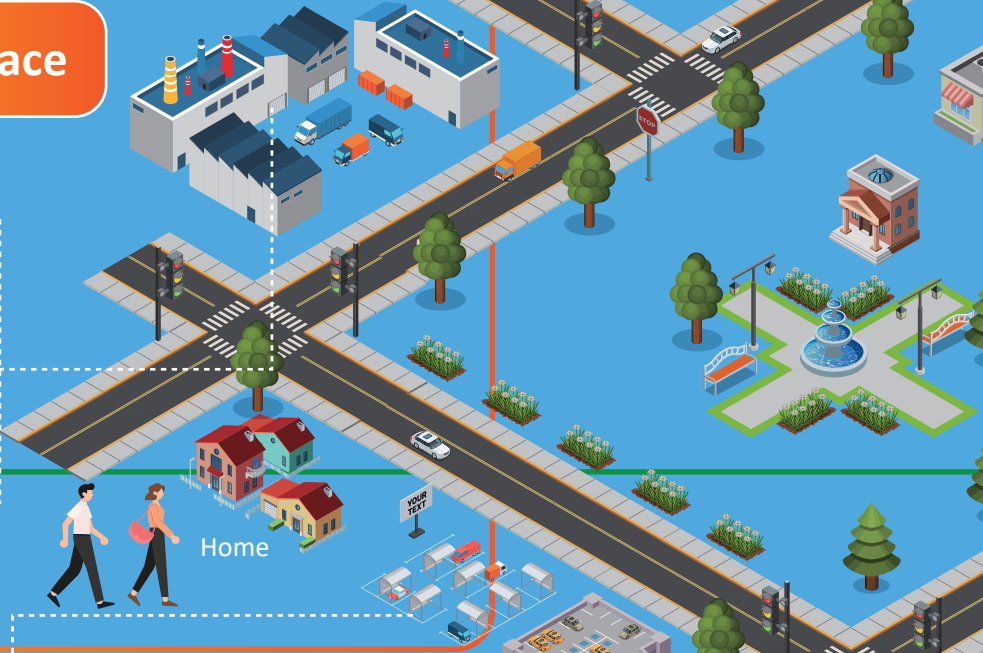
Workplace

Food Factory

INOSP Series

Product Manufacturing

IPPC / IXPC Series



Car Wash Slaughterhouse

INOSP Series

Parking

IDOOH Series

Transport

Commercial Activity

Self Ordering



Crowd Control



Signage



Kiosk Vendor Machine



Hospital

Medical



Information



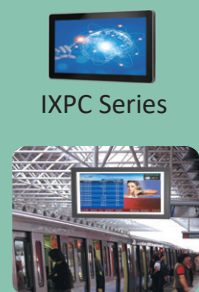
Repair Center



Access Gate



Information



Comparison Table

Category		Modular Panel PC		
Model No.	Models	IPPL-W156	IPPL-W215	IPPL-W270
Display & Touch	Display Size	15.6"	21.5"	27"
	Max. Resolution	1920 x 1080	1920 x 1080	1920 x 1080
	Luminance (cd/m2)	350, 500	250, 500, 800	300, 500
	Contrast Ratio	800:1	1000:1	1000:1
	View Angle (H/V)	178/178	178/178	178/178
	Light Transmission (%)	85	85	85
	Touch Type	Projected capacitive	Projected capacitive	Projected capacitive
	Touch Interface	USB	USB	USB
System	Processor	N/A	N/A	N/A
	Chipset	N/A	N/A	N/A
	Graphics	N/A	N/A	N/A
	Memory	N/A	N/A	N/A
	Max. Memory	N/A	N/A	N/A
I/O Interface	Display	1x USB Type-C (Single Cable Connection) 1x HDMI-in	1x USB Type-C (Single Cable Connection) 1x HDMI-in	1x USB Type-C (Single Cable Connection) 1x HDMI-in
	USB	2x USB 2.0 1x USB Type-C (DP Alternate Mode)	2x USB 2.0 1x USB Type-C (DP Alternate Mode)	2x USB 2.0 1x USB Type-C (DP Alternate Mode)
	LAN	N/A	N/A	N/A
	Serial Port	N/A	N/A	N/A
	Audio	N/A	N/A	N/A
	Digital I/O	N/A	N/A	N/A
	Power Button	On OSD button	On OSD button	On OSD button
Storage	SSD	N/A	N/A	N/A
	mSATA/M.2	N/A	N/A	N/A
Expansion	Expansion Slot	N/A	N/A	N/A
	Internal Expansion bus	1x USB 2.0 for Touch 1x USB 2.0 for Camera or others	1x USB 2.0 for Touch 1x USB 2.0 for Camera or others	1x USB 2.0 for Touch 1x USB 2.0 for Camera or others
Power	Power Input	12V DC-in	12V~24V DC-in	12V DC-in
	Power Connector	1x DC Jack	1x DC Jack	1x DC Jack
Mechanical	Dimensions (mm)	402 x 251 x 40	540 x 331 x 40	662 x 401 x 40
	Weight (kgs)	3.5	5.6	9.5
	Chassis Material	Aluminum and SGCC	Aluminum and SGCC	Aluminum and SGCC
	IP Rating	Front panel IP66 Full body IP54	Front panel IP66 Full body IP54	Front panel IP66 Full body IP54
	Mounting	VESA 100x100 mm T-Slot mount Optional Panel Mount KIT	VESA 100x100 mm T-Slot mount Optional Panel Mount KIT	VESA 100x100 mm T-Slot mount Optional Panel Mount KIT
Environmental	Operating Temperature	0°C~45°C without airflow 0°C~50°C with 0.9M/s airflow	0°C~45°C without airflow 0°C~50°C with 0.9M/s airflow	0°C~45°C without airflow 0°C~50°C with 0.9M/s airflow
	Storage Temperature	-20°C~60°C	-20°C~60°C	-20°C~60°C
	Storage Humidity	10%~90% @40°C (non-condensing)	10%~90% @40°C (non-condensing)	10%~90% @40°C (non-condensing)
		CE/FCC Class B	CE/FCC Class B	CE/FCC Class B
	Page No.		p.20 - 21	

Modular Panel PC				
ACS200	ACS303	ACS313	ACS403	ACS413
N/A	N/A	N/A	N/A	N/A
N/A	N/A	N/A	N/A	N/A
N/A	N/A	N/A	N/A	N/A
N/A	N/A	N/A	N/A	N/A
N/A	N/A	N/A	N/A	N/A
N/A	N/A	N/A	N/A	N/A
N/A	N/A	N/A	N/A	N/A
Intel® Atom™ N97 / N150 Processor (4 Cores) up to 3.6G Intel® Core™ i3 N305 Processor (8 Cores) up to 3.8G Intel® Core™ i3 N355 Processor (8 Cores) up to 3.9G Intel® Atom™ X7835RE Processor (8 Cores) up to 3.6G	Intel® Core™ Ultra 7 Processor 366H 18M Cache, up to 4.80 GHz	Intel® U300E Processor Processor Intel® Core™ i3-1315UE Processor Intel® Core™ i5-1335UE Processor Intel® Core™ i7-1365UE Processor	Intel® Core™ Ultra 7 Processor 366H 18M Cache, up to 4.80 GHz	Intel® U300E Processor Processor Intel® Core™ i3-1315UE Processor Intel® Core™ i5-1335UE Processor Intel® Core™ i7-1365UE Processor
N/A	N/A	N/A	N/A	N/A
Intel® UHD Graphics	Intel® UHD Graphics	Intel® UHD Graphics	Intel® UHD Graphics	Intel® UHD Graphics
1x DDR5 SO-DIMM Up to 16GB	2x DDR5 SO-DIMM Up to 96GB	2x DDR5 SO-DIMM Up to 96GB	2x DDR5 SO-DIMM Up to 96GB	2x DDR5 SO-DIMM Up to 96GB
1x HDMI 1x USB Type-C (DP Alternate Mode)	1x HDMI 2x DP 2x USB Type-C (DP Alternate Mode) Maximum of 4 outputs	1x HDMI 2x DP 2x USB Type-C (DP Alternate Mode) Maximum of 4 outputs	1x HDMI 2x DP 2x USB Type-C (DP Alternate Mode) Maximum of 4 outputs	1x HDMI 2x DP 2x USB Type-C (DP Alternate Mode) Maximum of 4 outputs
2x USB 3.2 Gen1 4x USB 2.0 1x USB Type-C (PD60W)	6x USB 3.2 Gen1 2x USB Type-C (PD60W+60W)	6x USB 3.2 Gen1 2x USB Type-C (PD60W+60W)	6x USB 3.2 Gen1 2x USB Type-C (PD60W+60W)	6x USB 3.2 Gen1 2x USB Type-C (PD60W+60W)
2x GbE	3x 2.5 GbE	3x 2.5 GbE	3x 2.5 GbE	3x 2.5 GbE
1x RS232/422/485 1x RS232 Optional 4x RS232 (Pin 9 →0,5,12V by Jumper)	2x Isolated COM port	2x Isolated COM port	2x Isolated COM port Optional 2x RS232	2x Isolated COM port Optional 2x RS232
1x Combo Audio Dlx4 and DOx4	1x Combo Audio Dlx4 and DOx4	1x Combo Audio Dlx4 and DOx4	1x Combo Audio Dlx4 and DOx4	1x Combo Audio Dlx4 and DOx4
1x Tact switch	1x Tact switch	1x Tact switch	1x Tact switch	1x Tact switch
N/A	1x 2.5" SSD	1x 2.5" SSD	1x 2.5" SSD	1x 2.5" SSD
1x m.2 2280 (mSATA or NVMe)	1x m.2 2280 (mSATA or NVMe)	1x m.2 2280 (mSATA or NVMe)	1x m.2 2280 (mSATA or NVMe)	1x m.2 2280 (mSATA or NVMe)
N/A	N/A	N/A	2 x PCIe x4	2 x PCIe x4
1x M.2 (E-key, type:2230) 1x M.2 (M-key, type:2280) with mSATA or PCIe x1 1x M.2 (B-key, type:3052) with nano SIM slot	1x M.2 (E-key, type:2230) 1x M.2 (M-key, type:2280) with mSATA or PCIe x1 1x M.2 (M-key, type:2280) with PCIe x1 1x M.2 (B-key, type:3052) with Dual nano SIM slot	1x M.2 (E-key, type:2230) 1x M.2 (M-key, type:2280) with mSATA or PCIe x1 1x M.2 (M-key, type:2280) with PCIe x1 1x M.2 (B-key, type:3052) with Dual nano SIM slot	1x M.2 (E-key, type:2230) 1x M.2 (M-key, type:2280) with mSATA or PCIe x1 1x M.2 (M-key, type:2280) with PCIe x1 1x M.2 (B-key, type:3052) with Dual nano SIM slot	1x M.2 (E-key, type:2230) 1x M.2 (M-key, type:2280) with mSATA or PCIe x1 1x M.2 (M-key, type:2280) with PCIe x1 1x M.2 (B-key, type:3052) with Dual nano SIM slot
9V~36V DC-in	24V ±5% DC-IN	24V ±5% DC-IN	24V ±5% DC-IN	24V ±5% DC-IN
1x2-pin terminal block	1x3-pin terminal block	1x3-pin terminal block	1x3-pin terminal block	1x3-pin terminal block
303.4 x 242 x 73	275 x 140 x 70	275 x 140 x 70	275 x 140 x 117	275 x 140 x 117
1.65	3Kg	2.75Kg	3.75Kg	3.5Kg
Aluminum and SGCC	Aluminum and SGCC	Aluminum and SGCC	Aluminum and SGCC	Aluminum and SGCC
N/A	N/A	N/A	N/A	N/A
Wall Mount and VESA 75x75 / 100x100 mm	Wall Mount and VESA 100x100 mm	Wall Mount and VESA 100x100 mm	Wall Mount and VESA 100x100 mm	Wall Mount and VESA 100x100 mm
N97, N305 and N305: -20°C~50°C (-4°F~122°F) N150: -20°C~70°C (-4°F~158°F) *with airflow x7835RE: -30°C~60°C (-22°F~140°F) *with airflow	-10°C ~ 60°C with 0.9M/s airflow -10°C ~ 50°C without 0.9M/s airflow	-10°C ~ 60°C with 0.9M/s airflow -10°C ~ 50°C without 0.9M/s airflow	-10°C ~ 60°C with 0.9M/s airflow -10°C ~ 50°C without 0.9M/s airflow	-10°C ~ 60°C with 0.9M/s airflow -10°C ~ 50°C without 0.9M/s airflow
-30°C~60°C	-20°C to 80°C	-20°C to 80°C	-20°C to 80°C	-20°C to 80°C
10%~90% @40°C (non-condensing)	10%~90% @40°C (non-condensing)	10%~90% @40°C (non-condensing)	10%~90% @40°C (non-condensing)	10%~90% @40°C (non-condensing)
CE/FCC Class B	CE/FCC Class B	CE/FCC Class B	CE/FCC Class B	CE/FCC Class B

Comparison Table

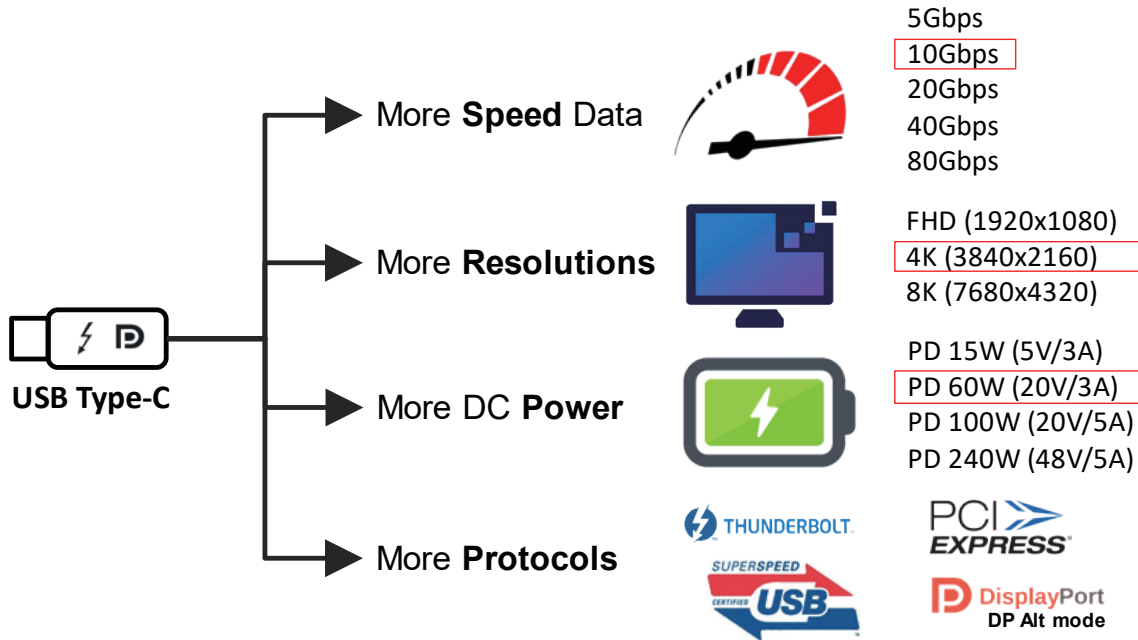
Category		Industrial Panel PC			
Model No.	Models	IPPC-W215	IPPC-W07	IPPC-121	IHPC-W101
Display & Touch	Display Size	21.5"	7"	12.1"	10.1"
	Max. Resolution	1920 x 1080	800 x 480	1024 x 768	1920 x 1200
	Luminance (cd/m2)	250 (Optional 500 nits)	500	500	1000
	Contrast Ratio	1000:1	800:1	1000:1	1000:1
	View Angle (H/V)	178/178	178/178	178/178	178/178
	Light Transmission (%)	85	85	85	85
	Touch Type	Projected capacitive	Projected capacitive	Projected capacitive	Projected capacitive
	Touch Interface	USB	USB	USB	USB
System	Processor	Intel® Atom™ N97 Processor (4 Cores) up to 3.6G Intel® Atom™ N150 Processor (4 Cores) up to 3.6G Intel® Core™ 3 N355 Processor (8 Cores) up to 3.9G	Intel® Atom™ N97 Processor (4 Cores) up to 3.6G Intel® Atom™ N150 Processor (4 Cores) up to 3.6G Intel® Core™ 3 N355 Processor (8 Cores) up to 3.9G	Intel® Atom™ N97 / N150 Processor (4 Cores) up to 3.6G Intel® Core™ i3 N305 Processor (8 Cores) up to 3.8G Intel® Core™ 3 N355 Processor (8 Cores) up to 3.9G Intel® Atom™ X7835RE Processor (8 Cores) up to 3.6G	Intel® Atom® N97 Processor (Quad-Core @ 3.6GHz) Intel® Atom® N150 Processor (Quad-Core @ 3.6GHz) Intel® Atom® X7433RE Processor (Quad-Core @ 3.4GHz)
	Chipset	N/A	N/A	N/A	N/A
	Graphics	Intel® UHD Graphics	Intel® UHD Graphics	Intel® UHD Graphics	Intel® UHD Graphics
	Memory	1x DDR5 SO-DIMM	1x DDR5 SO-DIMM	1x DDR5 SO-DIMM	1x DDR5 SO-DIMM
	Max. Memory	Up to 16GB	Up to 16GB	Up to 16GB	Up to 16GB
I/O Interface	Display	1x HDMI 1x USB Type-C	1x HDMI 1x USB Type-C	1x HDMI 1x USB Type-C	2x DP
	USB	2x USB 3.2 Gen1 1x USB Type-C (PD15W)	2x USB 3.2 Gen1 1x USB Type-C (PD15W)	2x USB 3.2 Gen1 4x USB 2.0 1x USB Type-C (PD60W)	2x USB 3.2 Gen1 2x USB 2.0
	LAN	2x 2.5GbE	2x 2.5GbE	2x 2.5GbE	2x 2.5GbE
	Serial Port	1x RS232/422/485 (BIOS selection) 1x RS232	1x RS232/422/485 (BIOS selection) 1x RS232	1x RS232/422/485 (BIOS selection) 1x RS232 Optional 4x RS232 (Pin 9 →0,5,12V by Jumper)	1x RS232/422/485 (BIOS selection) 1x RS232
	Audio	Combo Jack	N/A	1x Combo Audio	1x Line-out, 1x MIC-in 1x Line-in
	Digital I/O	4x DI, 4x DO	N/A	DIx4 and DOx4	N/A
	Power Button	1x Tact Switch	1x Rocker switch	1x Tact switch	1x Tact switch
Storage	SSD	N/A	N/A	N/A	N/A
	mSATA/M.2	1x m.2 2280 (mSATA or NVMe)	1x m.2 2280 (mSATA or NVMe)	1x m.2 2280 (mSATA or NVMe)	1x m.2 2280 (mSATA)
Expansion	Expansion Slot	N/A	N/A	N/A	N/A
	Internal Expansion bus	1x M.2 (E-key, type:2230) 1x M.2 (M-key, type:2280) with mSATA or PCIe x1 1x M.2 (B-key, type:3052) with nano SIM slot	1x M.2 (E-key, type:2230) 1x M.2 (M-key, type:2280) with mSATA or PCIe x1 1x M.2 (B-key, type:3052) with nano SIM slot	1x M.2 (E-key, type:2230) 1x M.2 (M-key, type:2280) with mSATA or PCIe x1 1x M.2 (B-key, type:3052) with nano SIM slot	1x M.2 (E-key, type:2230) 1x M.2 (M-key, type:2280) with mSATA 1x M.2 (B-key, type:3052) with nano SIM slot
Power	Power Input	9V~36V DC-in	9V~36V DC-in	9V~36V DC-in	12V~24V DC-in
	Power Connector	DC-Jack with screw lock	DC-Jack with screw lock	1x2-pin terminal block	DC-Jack with screw lock
Mechanical	Dimensions (mm)	540 x 331 x 73	210 x 149 x 53	303.4 x 242 x 73	259 x 178 x 48
	Weight (kgs)	7.3	3	3.6	2
	Chassis Material	Aluminum and SGCC	Aluminum and SGCC	Aluminum and SGCC	Aluminum and SGCC
	IP Rating	Front panel IP66	Front panel IP66	Front panel IP66	Front panel IP65
	Mounting	VESA 75x75 / 100x100 mm T-Slot mount Optional Panel Mount KIT	VESA 75x75 / 100x100 mm T-Slot mount Optional Panel Mount KIT	VESA 75x75 / 100x100 mm T-Slot mount Optional Panel Mount KIT	VESA 100x100 mm Panel Mount KIT
Environmental	Operating Temperature	-20°C~45°C	N97: -20°C~50°C (-4°F~122°F) N150: -20°C~70°C (-4°F~158°F) *with airflow	N97, N305 and N305: -20°C~50°C (-4°F~122°F) N150: -20°C~70°C (-4°F~158°F) *with airflow x7835RE: -30°C~60°C (-22°F~140°F) *with airflow	N97: -20°C~50°C (-4°F~122°F) N150: -20°C~70°C (-4°F~158°F) *with airflow x7835RE: -30°C~65°C (-22°F~149°F) *with airflow
	Storage Temperature	-30°C~60°C	-30°C~80°C	-30°C~80°C	-30°C~80°C
	Storage Humidity	10%~90% @40°C (non-condensing)	10%~90% @40°C (non-condensing)	10%~90% @40°C (non-condensing)	10%~90% @40°C (non-condensing)
	Certification	CE/FCC Class B	CE/FCC Class B	CE/FCC Class B	CE/FCC Class B
Page No.		p.24 - 25			

Outdoor Panel PC		Stainless Steel Panel PC		Medical Panel PC
IDOOH-215-IR	IDOOH-215-PC	INOSP-152-RE	INOSP-192-RE	UMT-7212
21.5"	21.5"	15"	19"	21.5"
1920 x 1080	1920 x 1080	1024 x 768	1280 x 1024	1920 x 1080
Up to 1200nits, default @75%	Up to 1300nits, default @75%	500	350	300
1000:1	3000:1	800:1	1000:1	1000:1
140/120	178/178	160/160	170/160	178/178
88	70	80	80	87
IR touch	Projected capacitive	Resistive	Resistive	Projected capacitive
USB	USB	USB	USB	USB
Intel® Atom® Processor E3845	AMD Ryzen™ Embedded V1605B (Quad-Core @ 3.6GHz)	Intel® Atom® Processor E3845	Intel® Atom® Processor E3845	7th /6th Gen Intel® Core™ U-series i7/i5/i3
N/A	N/A	N/A	N/A	N/A
Intel® Atom® x6413E Processor	AMD Ryzen™ Embedded	Intel® Atom® SoC integrated Gen7 graphics	Intel® Atom® SoC integrated Gen7 graphics	Intel® HD Graphics 620
2x DDR4-3200 SO-DIMM, Max. 32GB	2x DDR4 SO-DIMM, up to 32GB, default DDR4 8GB (4GBx2)	2x DDR3L SO-DIMM	2x DDR3L SO-DIMM	2x DDR4 SO-DIMM
Up to 32GB	Up to 32GB	Up to 8GB	Up to 8GB	Up to 32GB
1x DisplayPort	1x HDMI Port (M12)	N/A	N/A	1x DisplayPort
3x USB 3.1 (Type-A) 1x USB (Type-C)	1x USB 2.0	1x USB 3.2 Gen1 (optional) 1x USB 2.0	1x USB 3.2 Gen1 (optional) 1x USB 2.0	2x USB 3.2 Gen1 2x USB 2.0
3x GbE	1x GbE (M12 17 Pin)	1x GbE 2nd GbE (optional)	1x GbE 2nd GbE (optional)	2x GbE
N/A	N/A	1x RS232/422/485 1x RS232	1x RS232/422/485 1x RS232	1x RS232/422/485 (isolated) 1x RS232 (isolated)
N/A	N/A	N/A	N/A	N/A
N/A	N/A	N/A	N/A	N/A
N/A	1x Power button	N/A	N/A	1x Power button P-CAP type
1x 2.5 SATA II SSD	1x 2.5" SATA II SSD	1x 2.5" SATA II SSD	1x 2.5" SATA II SSD	1x 2.5" SATA II SSD
1x mSATA	1x mSATA	1x mSATA	1x mSATA	1x M.2 (M-key 2280)
N/A	N/A	N/A	N/A	1x PCIe (x4)
1x M.2 (E-key, type:2230) 1x Mini PCIe / mSATA	1x M.2 (E-key, type:2230) 1x M.2 (M-key, type:2280, NVMe)	2x Mini PCIe (1x full-size, 1x half-size)	2x Mini PCIe (1x full-size, 1x half-size)	1x Mini PCIe full-size 1x M.2 E-key 2230
90V ~ 240V AC-in	19V DC-in (M12 17 Pin)	10V~30V DC-in	10V~30V DC-in	90V ~ 240V AC-in
AC inlet	M12 17 pin connector	1x M12	1x M12	IEC60320 C14
574 x 357 x 82.5	543 x 349.2 x105 (w/ Lid)	425 x 330 x 62.5	470 x 390 x 62.5	557 x 360 x 80
7.5	8.1	13.5	17	6.7
Aluminum and SGCC	Aluminum and SGCC	304 stainless steel 316 stainless steel (option)	304 stainless steel 316 stainless steel (option)	Aluminum and Sheet metal
Front panel IP65	Fully IP65	IP65 / IP69K	IP65 / IP69K	Front panel IP65 Rear side IP54 (except I/O side)
VESA 200x200 mm/ 200x100 mm	VESA 100x100 mm	VESA 75x75 / 100x100 mm	VESA 75x75 / 100x100 mm	VESA 100x100 mm
Low Temperature: -40°C with installed heater inside High Temperature: with 1120 W/m2 solar energy: 44 °C	-5°C~45°C	0°C~50°C	0°C~50°C	0°C~40°C
-20°C~60°C	-20°C~60°C	-20°C~70°C	-20°C~70°C	-20°C~60°C
10%~90% @40°C (non-condensing)	10%~90% @40°C (non-condensing)	10%~90% @40°C (non-condensing)	10%~90% @40°C (non-condensing)	10%~90% @40°C (non-condensing)
CE/FCC Class B	CE/FCC Class B	CE/FCC Class-B	CE/FCC Class-B	CE/FCC Class-B and LVD EN 60601-1: 2006 + A1: 2013 (IEC 60601-1: 2012 reprint) EN 60601-1-2:2015 (IEC 60601-1-2:2014)
p.39 - 40	p.41 - 43	p.44 - 46	p.44 - 46	p.57 - 58

USB Type-C Technology

USB Type-C Single Cable Connection

A single USB Type-C cable supports data, high-definition video, audio, power, and multiple protocols.



The New Panel PC adopts Type-C technology, using a single cable to support data transfer, high-definition video, audio, power, and various protocols. The red Box indicates the recommended specifications for a 2-meter cable. Shorter cables can provide higher power and faster transfer speeds.

USB Type-C DP Alternate Mode And Length

Cable length \approx 2M (up to 60W) / up to 10Gbps / up to 4K Resolution

Cable length \leq 0.8M (up to 240W) / up to 40Gbps / up to 8K Resolution

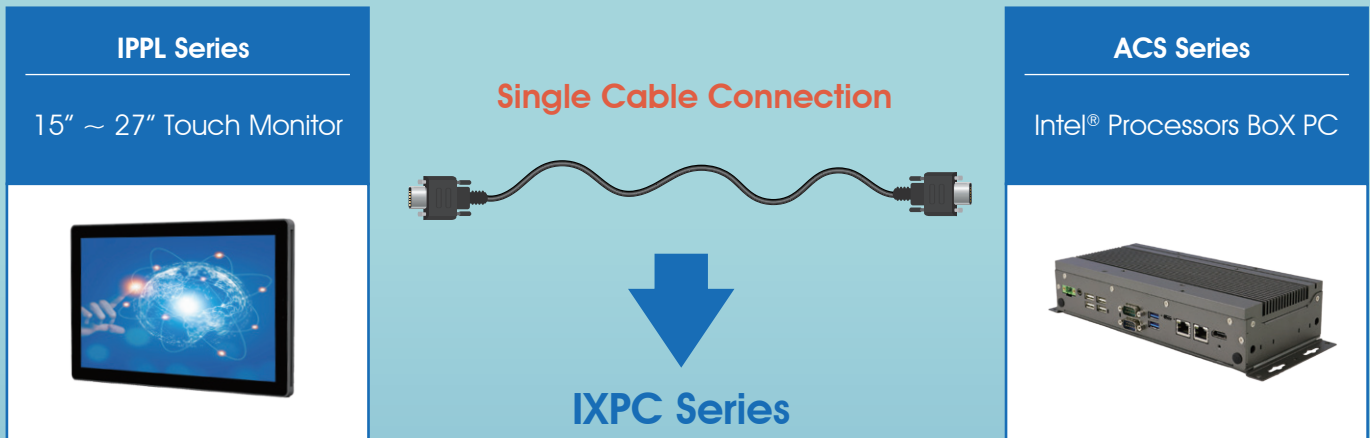


The New Panel PC uses an industrial-grade Type-C connector with a screw lock for enhanced stability and reliability.

IXPC Panel PC Solutions for POS and Kiosk

We Do the Computing Platform — You Create the ID design

IXPC series with bezel-free touch display provides flexibility for customers to design the front bezel according to their environmental application. The system provides flexible modular design to enhance integration with high product flexibility.



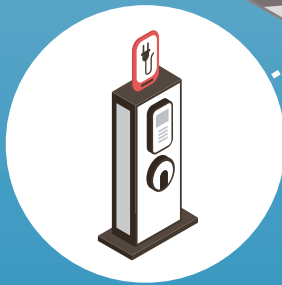
IXPC Series

POS or Interactive Kiosk for Product Information and Self-Ordering Services



IXPC Series

Semi-Outdoor Kiosk with High Brightness Display for Entertainment Systems



IXPC Series

Outdoor Kiosk with Touch Solution for Electric Vehicle Charging Stations

IPPL-W156 Industrial Touch Monitor

Fully Waterproof Monitor Series
 USB Type-C Single Cable Connection



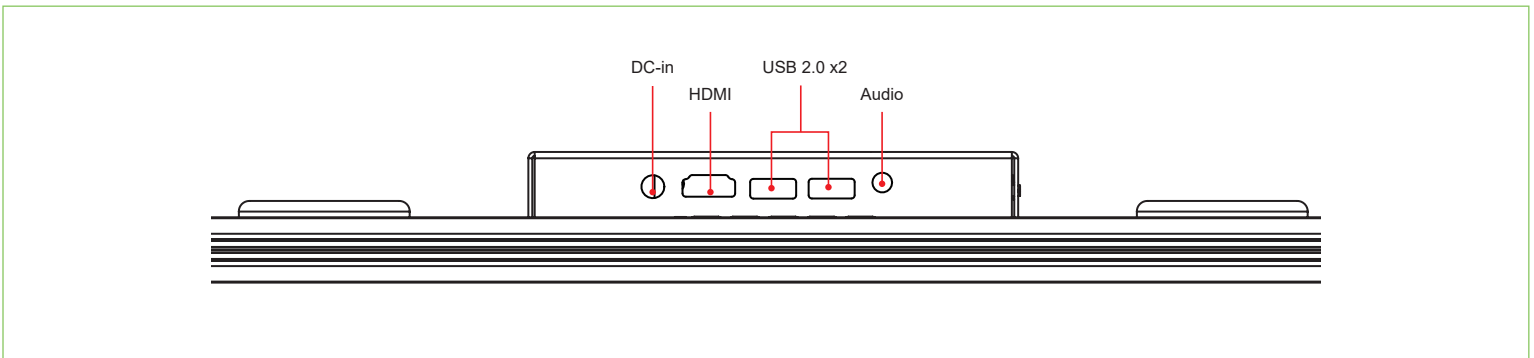
Features

- Compliant with EU 6mm T&V-Slot™ Linear Rail Groove
- 15.6" true-flat FHD LCD panel with projected capacitive touchscreen
- Fully Waterproof Design (Front Panel IP65 and Body IP54)
- USB-C single cable connection (requires ACS200 PD60W 20V/3A)
- Supports auto dimming function
- Reserve HDMI-in, USB 2.0 x2, Audio out and DC-In
- Optional IR remote controller

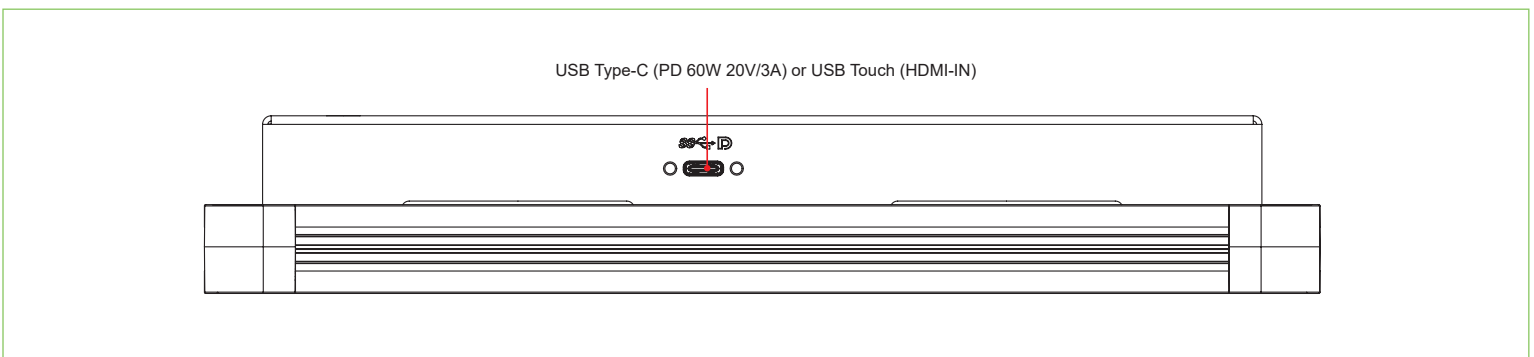
Display	Panel Size (inch)	15.6 (16:9)
	View Angle (H°/V°)	178° / 178°
	Resolution	1920 x 1080
	Brightness (cd/m2)	350, 500 nits
	Contrast Ratio	800 : 1
	Panel Interface	LVDS
Touch Screen	Type	Projected Capacitive touch
	Point of touch	10-point multi-touch
	Light Transmission (%)	85±2.5%
	Glass Thickness	3mm
	Surface Hardness	7H
	Touch Interface	USB
Power	Power Input Range	DC 12V ±5%
Mechanical	Dimensions (mm)	401.76 x 251.19 x 40 mm
	Net Weight (kgs)	3.5 kg

I/O Interface	USB 3.0	1x USB Type-C (Alternate mode)
	USB 2.0	2
	LAN	N/A
	HDMI-In	1
	Audio Out	3.5mm jack
	DC-in	DC Jack 5.5mm/2.5mm
	OSD Button	1
Environmental	Operating Temperature	0°C~45°C
	Storage Temperature	-20~60°C
	Storage Humidity	5%~90% @ 50°C, (non-condensing)
	Certification	CE/FCC Class-B
Construction	Chassis Material	Aluminum and SGCC
	Color (Front/Back)	Gray / Black
	IP Rating	IP66 front-panel waterproof and body IP54
	Mounting	VESA 100x100 mm

Bottom External I/O

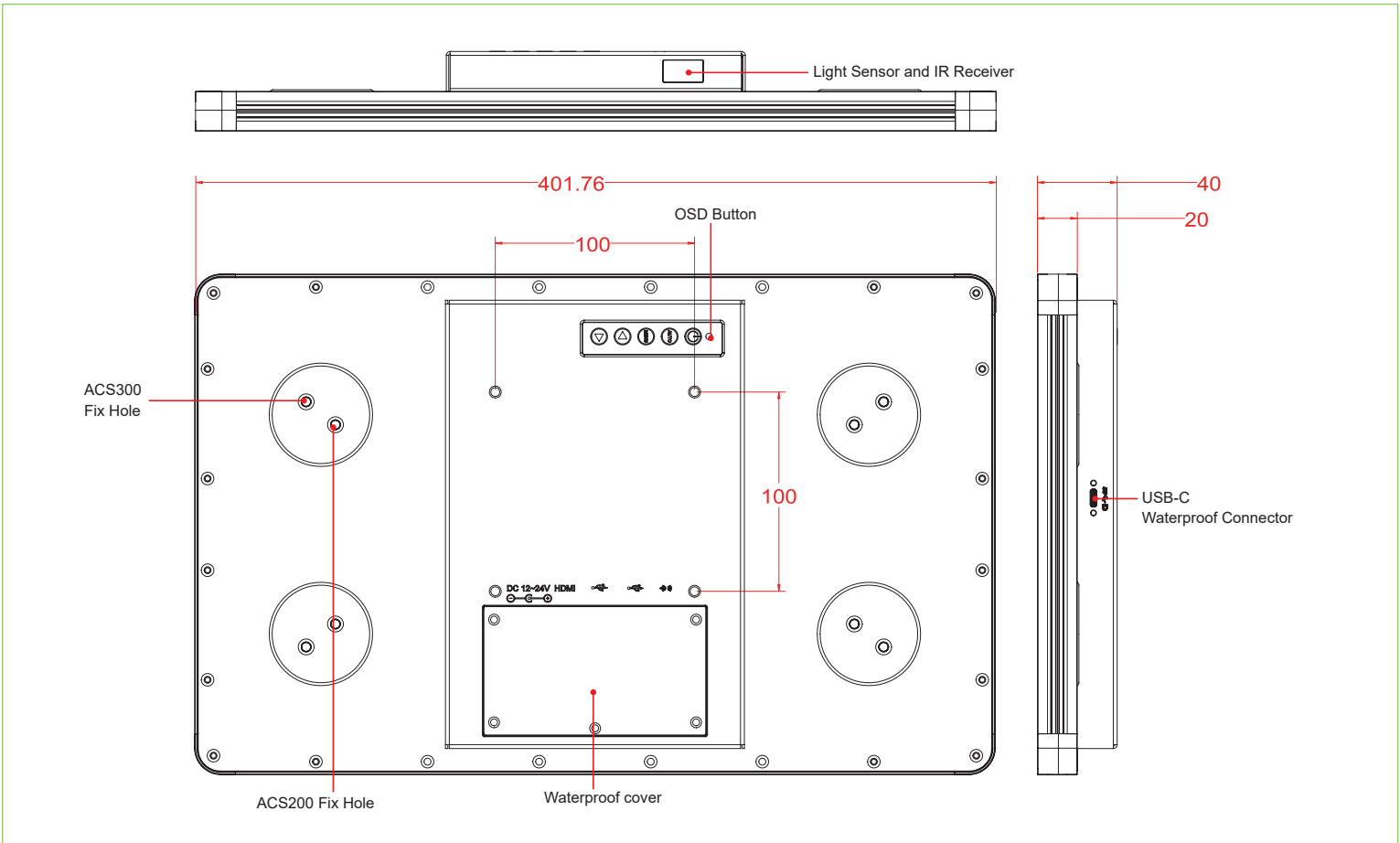


Side External I/O (Waterproof Type-C)



IPPL-W156 Touch Monitor Series

Dimensions



Ordering Information

Model Number	Display	Camera	Microphone	USB Type-C	USB 2.0 Downstream	HDMI	Earphone 3.5mm	DC-in	Note
IPPL-W156-1	15.6" FHD 350nits	N/A	N/A	1	2	1	1	+12V	Without USB-C PD; DC input required
IPPL-W156-2	15.6" FHD 500nits	N/A	N/A						

Packing List

Part Number	Description	Qty.
-	IPPL-W156	1
C501TYP0010A22000P	USB Type-C cable (200cm) with O-Ring	1
H03320M5010101000P	M5 T-Nut for T/V slot	10
-	ACS200, ACS300 Series Box PC Bolt-on kit	1

Optional Items

Part Number	Description
ACS200-N305	Intel® Core™ 3 N305 USB-C PD 60W Box PC
ACS200-N97	Atom® N97 CPU USB-C PD 60W Box PC
ACS200-7835	Atom® X7835RE CPU USB-C PD 60W Box PC
ACS200-N355	Intel® Core™ 3 N355 USB-C PD 60W Box PC
A008SENSOR0103000P	IR Remote
A005PS060WFSP0290P	12V/60W AC Adaptor
-	USB Type-C cable (30cm) with O-Ring



● NOTE: Other panel size requirements. Please contact sales.

IPPL-W215 Industrial Touch Monitor

Fully Waterproof Monitor Series
 USB Type-C Single Cable Connection



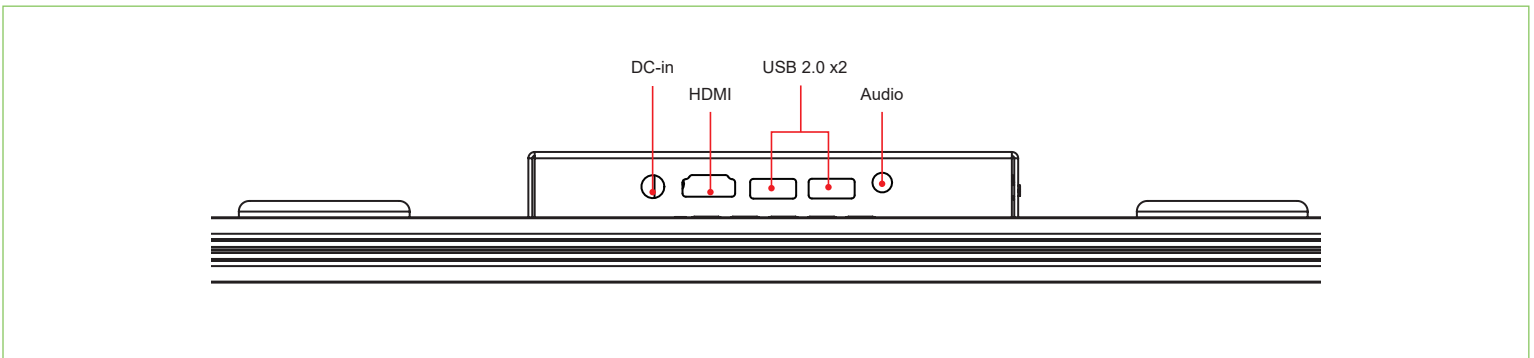
Features

- Compliance with EU 6mm T&V-Slot™ Linear Rail Groove
- 21.5" true-flat FHD LCD panel with projected capacitive touchscreen
- Fully Waterproof Design (Front Panel IP65 and Body IP54)
- USB-C single cable connection (Need PD60W ACS200-210)
- Supports auto dimming function
- Supports HDMI-IN, USB 2.0 x2, Audio out and DC-in
- Wide Range Power Input +12V ~ 24V DC
- Optional Camera and Microphone
- Optional Sunlight Readable Panel 1,500nits
- Optional Heat Blocking Film for UV and IR-Cut
- Optional IR remote controller

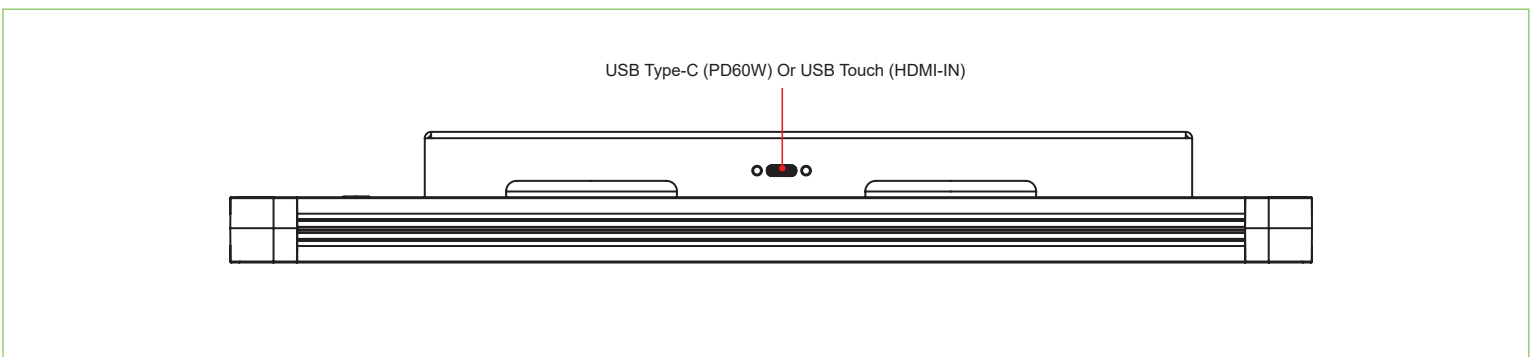
Display	Panel Size (inch)	21.5 (16:9)
	View Angle (H°/V°)	178° / 178°
	Resolution	1920 x 1080
	Brightness (cd/m2)	250, 500, 800, optional 1500
	Contrast Ratio	1000 : 1
	Panel Interface	LVDS
Touch Screen	Type	Projected Capacitive touch
	Point of touch	10
	Light Transmission (%)	85±2.5%
	Glass Thickness	3mm
	Surface Hardness	7H
	Touch Interface	USB
Power	Power Input Range	+12V ~24V DC
Mechanical	Dimensions (mm)	540 x 331 x 40
	Net Weight (kgs)	5.6kg

I/O Interface	USB 3.0	1x USB Type-C (Alternate mode)
	USB 2.0	2
	LAN	N/A
	HDMI-IN	1
	Audio Out	1
	DC-in	DC Jack 55mm/25mm
	OSD Button	1
Environmental	Operating Temperature	0°C~45°C
	Storage Temperature	-20~60°C
	Storage Humidity	5%~90% @ 50°C, (non-condensing)
	Certification	CE/FCC Class-B
Construction	Chassis Material	Aluminum and SGCC
	Color (Front/Back)	Gray / Black
	IP Rating	IP66 front-panel waterproof and body IP54
	Mounting	VESA 100x100 mm

Bottom External I/O

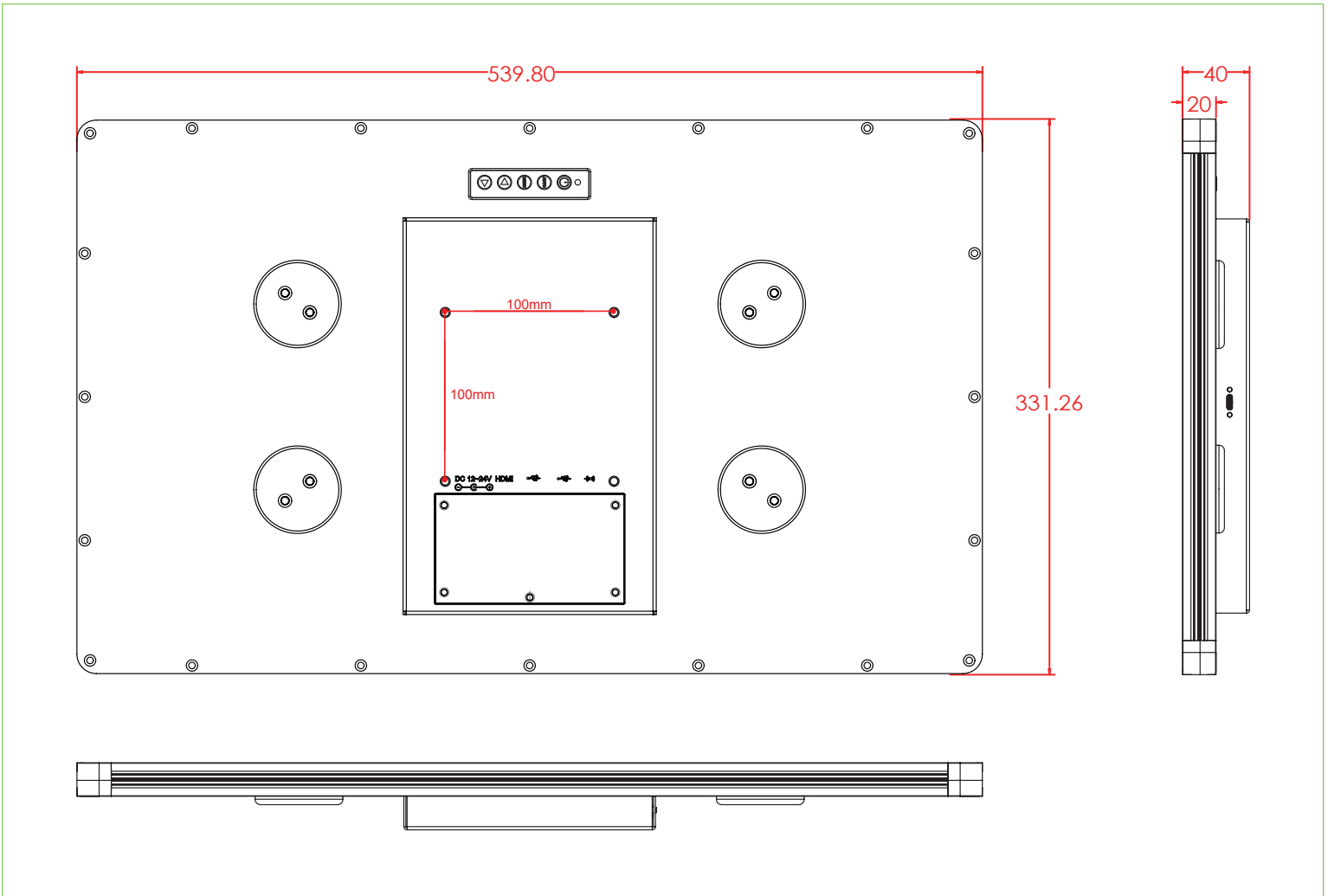


Side External I/O (Waterproof Type-C)



IPPL-W215 Touch Monitor Series

Dimensions



Ordering Information

Model Number	Display	Camera	Microphone	USB Type-C	USB 2.0 Downstream	HDMI	Earphone 3.5mm	DC-in	Note
IPPL-W215-V-A1	21.5" FHD 800nits	1	1	1	2	1	1	+12~24V	No USB-C PD; DC-in 12~24V required
IPPL-W215-1	21.5" FHD 250nits	N/A	N/A						
IPPL-W215-2	21.5" FHD 500nits	N/A	N/A						
IPPL-W215-2CA	21.5" FHD 500nits	1	N/A						

Packing List

Part Number	Description	Qty.
-	IPPL-W215	1
C501TYP0010A22000P	USB Type-C cable (200CM) with O-Ring	1
H03320M5010101000P	M5 T-Nut for T/V slot	10
-	ACS200, 300 Series Box PC Bolt-on kit	1

Optional Items

Part Number	Description
TBD	USB Type-C Cable (30CM)
ACS200-210-N305	Intel® i3-N305 Processor USB-C PD 60W Box PC
ACS200-210-N97	Atom® N97 Processor USB-C PD 60W Box PC
ACS200-210-7835	Atom® X7835RE Processor USB-C PD 60W Box PC
ACS200-210-N355	Intel® i3-N355 Processor USB-C PD 60W Box PC



● NOTE: Other panel size requirements. Please contact sales.

IPPL-W270 Industrial Touch Monitor

Fully Waterproof Monitor Series
 USB Type-C Single Cable Connection



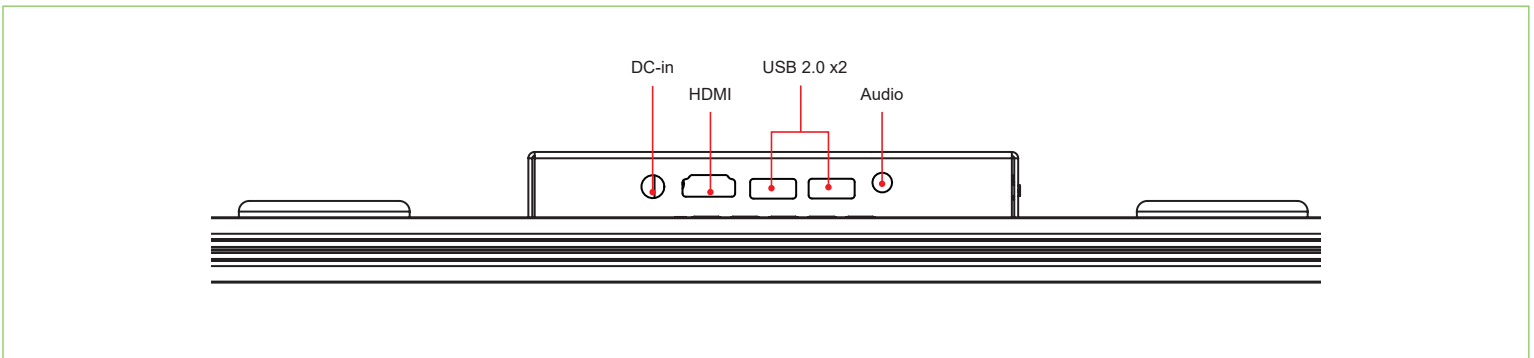
Features

- Compliance with EU 6mm T&V-Slot™ Linear Rail Groove
- 27" true-flat FHD LCD panel with projected capacitive touchscreen
- Fully Waterproof Design (Front Panel IP65 and Body IP54)
- USB-C single cable connection
- Supports auto dimming function
- Reserve HDMI-IN, USB 2.0 x2, Audio out and DC-IN
- Wide Range Power Input DC-IN +12V ~ 24V
- Optional Heat Blocking Film for UV and IR-Cut (Light Transmission 70%)
- Optional IR remote controller

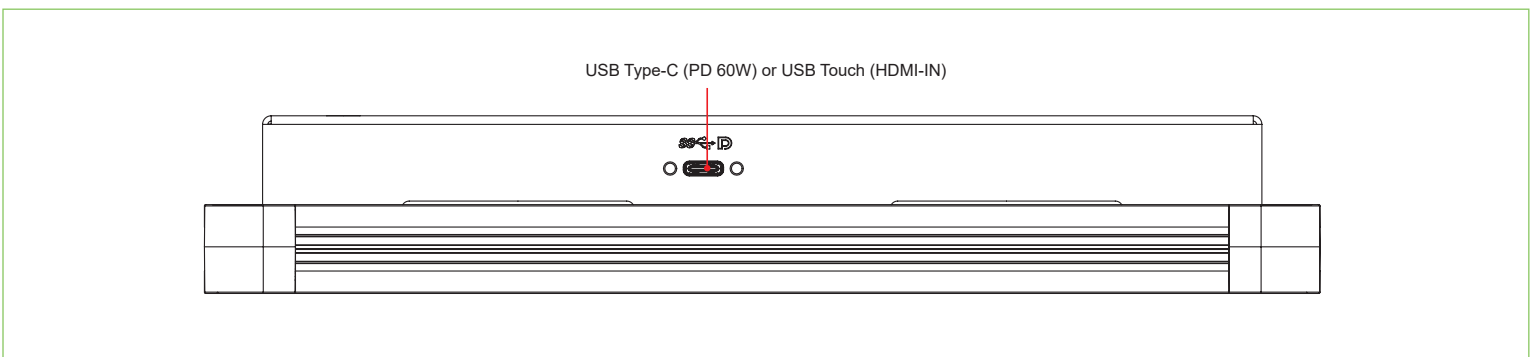
Display	Panel Size (inch)	27 (16:9)
	View Angle (H°/V°)	178° / 178°
	Resolution	1920 x 1080
	Brightness (cd/m2)	300, 500, optional 1500
	Contrast Ratio	1000 : 1
	Panel Interface	LVDS
Touch Screen	Type	Projected Capacitive touch
	Point of touch	10-point multi-touch
	Light Transmission (%)	85±2.5%
	Glass Thickness	3mm
	Surface Hardness	7H
Power	Touch Interface	USB
	Power Input Range	+12V~24V DC
Mechanical	Dimensions (mm)	662 x 401 x 40 mm
	Net Weight (kgs)	9.5 kg

I/O Interface	USB 3.0	1x USB Type-C (Alternate mode)
	USB 2.0	2
	LAN	N/A
	HDMI-In	1
	Audio Out	3.5mm jack
	DC-In	DC Jack 5.5mm/2.5mm
Environmental	OSD Button	1
	Operating Temperature	0°C~45°C
	Storage Temperature	-20~60°C
	Storage Humidity	5%~90% @ 50°C, (non-condensing)
	Certification	CE/FCC Class-B
Construction	Chassis Material	Aluminum and SGCC
	Color (Front/Back)	Gray / Gray
	IP Rating	IP66 front-panel waterproof and body IP54
	Mounting	VESA 100x100 mm

Bottom External I/O

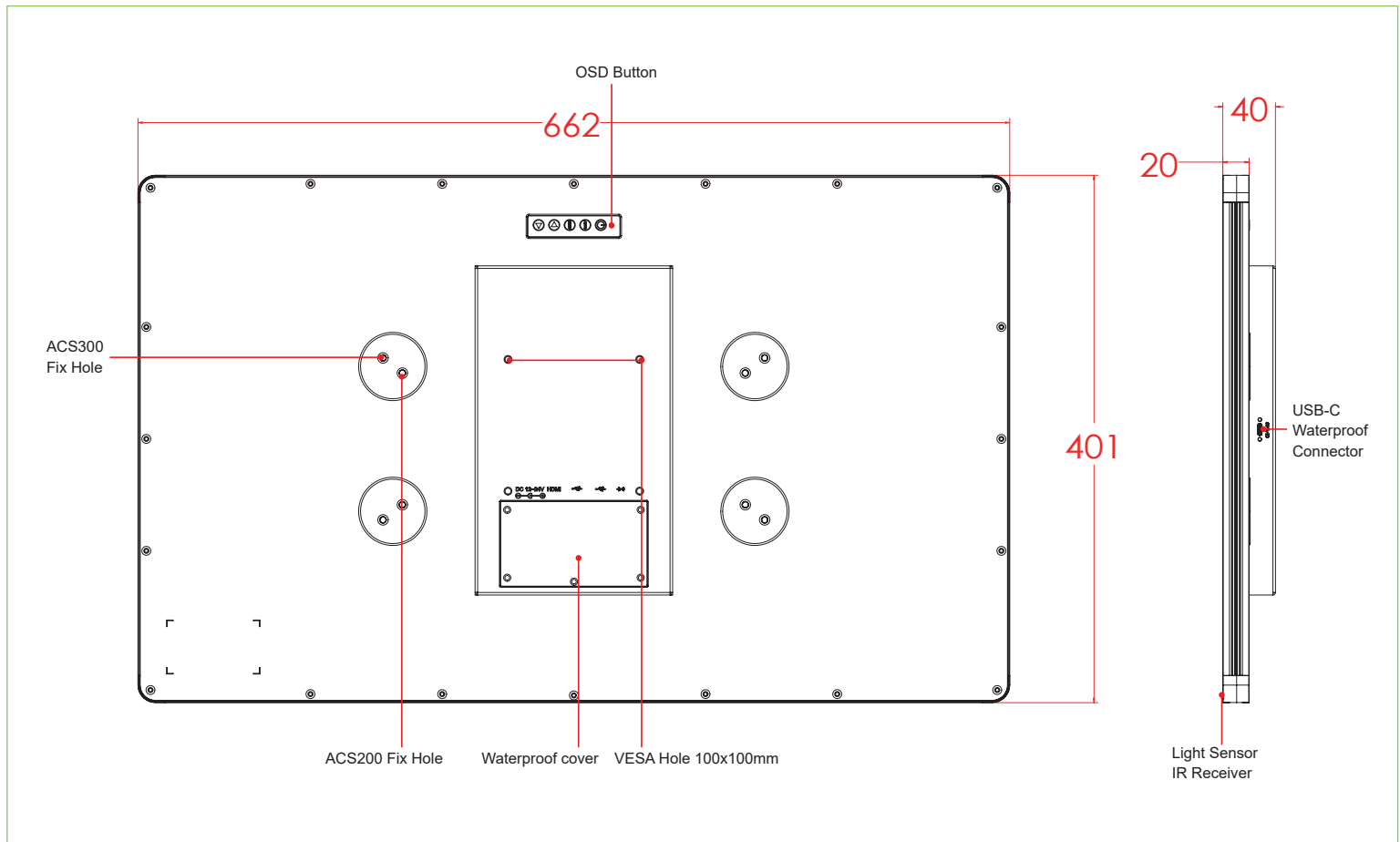


Side External I/O (Waterproof Type-C)



IPPL-W270 Touch Monitor Series

Dimensions



Ordering Information

Model Number	Display	Camera	Microphone	USB Type-C	USB 2.0 Downstream	HDMI	Earphone 3.5mm	DC-in	Note
IPPL-W270-1	27" FHD 300 nits	N/A	N/A	1	2	1	1	+12V~24V	No USB-C PD need DC-IN 12V~24V
IPPL-W270-2	27" FHD 500 nits	N/A	N/A						

Packing List

Part Number	Description	Qty.
-	IPPL-W270	1
C501TYP0010A22000P	USB Type-C cable (200CM) with O-Ring	1
H03320M5010101000P	M5 T-Nut for T/V slot	10
-	ACS200, 300 Series Box PC Bolt-on kit	1

Optional Items

Part Number	Description
ACS200-N305	Intel® Core™ 3 N305 USB-C PD 60W Box PC
ACS200-N97	Atom® N97 CPU USB-C PD 60W Box PC
ACS200-7835	Atom® X7835RE CPU USB-C PD 60W Box PC
ACS200-N355	Intel® Core™ 3 N355 USB-C PD 60W Box PC
A008SENSOR0103000P	IR Remote
A005PS060WFSP0290P	12V/60W AC Adaptor
-	USB Type-C cable (30CM) with O-Ring



● NOTE: Other panel size requirements. Please contact sales.



Features

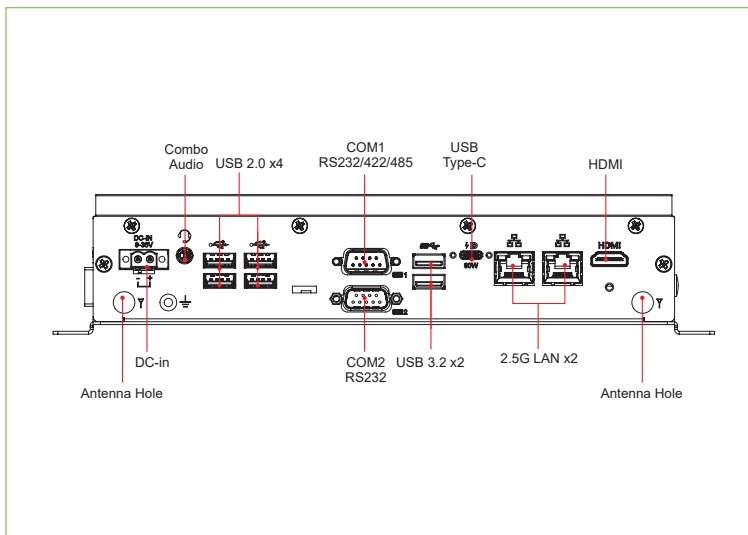
- Intel® Atom® x7000E Series / N-series / Core™ 3 N355 Processors
- 2x COM and Optional 4x Power COM 3~6 (Pin9 5V,12V)
- 4x DI, 4x DO, 2x USB 3.2, 4x USB 2.0, USB Type-C (supports Alternate mode and PD 60W)
- Supports M.2 sockets for Wi-Fi / BT and 4G/5G communication with Nano SIM slot
- Supports hardware TPM 2.0 security
- Wide Range Power Input DC-IN +9V ~ 36V
- Extended operating temperature Max. from -30°C to 60°C

Specifications

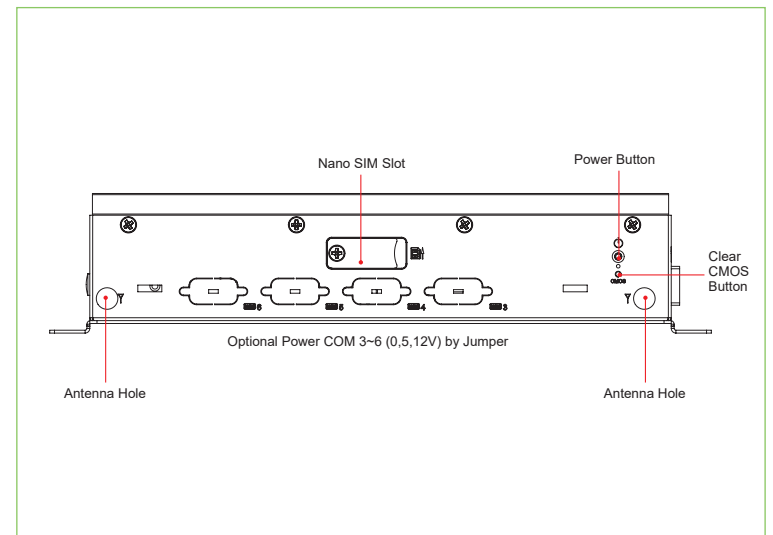
System	Processor	Intel® Atom™ N97 Processor (4 Cores) up to 3.6G Intel® Atom™ N150 Processor (4 Cores) up to 3.6G Intel® Core™ i3 N305 Processor (8 Cores) up to 3.8G Intel® Core™ 3 N355 Processor (8 Cores) up to 3.9G Intel® Atom™ X7835RE Processor (8 Cores) up to 3.6G
	Memory	1x DDR5 SO-DIMM, up to 16GB, default 8GB
	Thermal Design	Fanless
	Membrane Control	None
	Built-in Speaker/Mic	None
	I/O Interface	USB 3.0
USB 2.0		4
RS-232/422/485 Selectable via BIOS		COM 1
RS-232		COM 2 and optional 3~6 ports
LAN		2x GbE
Additional Graphics		HDMI 1x USB-C (DP Alternate mode)
Audio		Combo Jack
Digital I/O		4x DI and DOx4
Power Connector		2Pin Bare-Wire DC-in & GND Screw
Power Button		Tact Switch

Expansion	Internal Expansion Bus	1x M.2 2280 (M key) 1x M.2 2230 (E-key) 1x M.2 3043 (B-key)
	Expansion Slot	N/A
	Wireless	Optional Wi-Fi/BT/4G/5G/LTE
Storage Space	HDD	N/A
	Removable	N/A
Power	Power Input Range	+9V ~ 36V DC
Mechanical	Dimensions (mm)	242.2 x 110 x 54.15
	Net Weight (kgs)	1.65
Construction	Chassis Material	Aluminum and SGCC
	Color (Front/Back)	Gray / Gray
	IP Rating	2x
Environmental	Mounting	VESA 75x75 and 100x100 mm, Optional DIN-Rail kit, Wall Mount
	Operating Temperature	N97, N305 and N305: -20°C~50°C (-4°F~122°F) N150: -20°C~70°C (-4°F~158°F) *with airflow x7835RE: -30°C~60°C (-22°F~140°F) *with airflow
	Storage Temperature	-40~80°C (-40°F to 176°F)
	Storage Humidity	5%~90%
	Certification	CE/FCC Class-B
	Supported Operating Systems	Microsoft Windows 10,11, Linux Kernel 4+

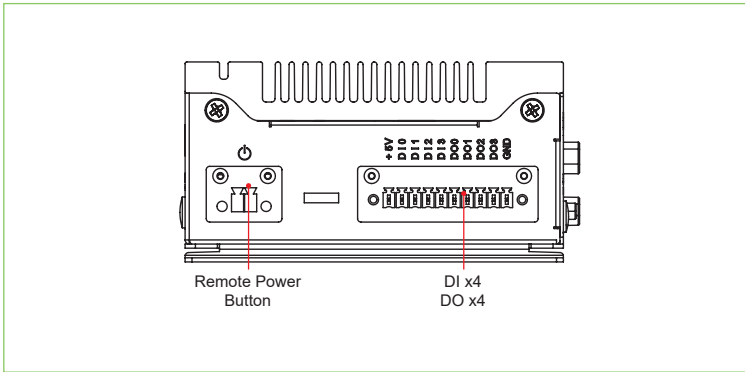
Rear External I/O



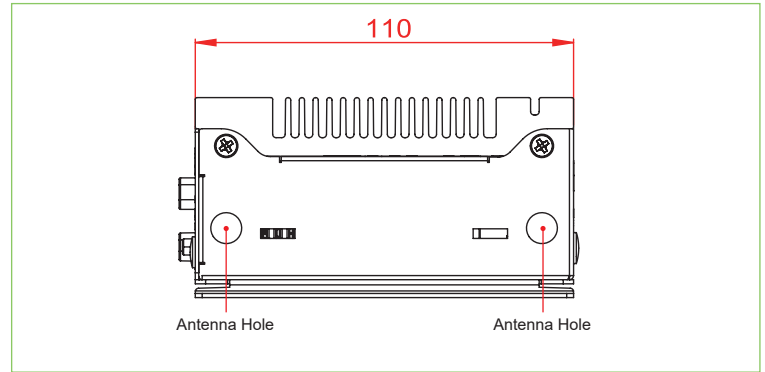
Front External I/O



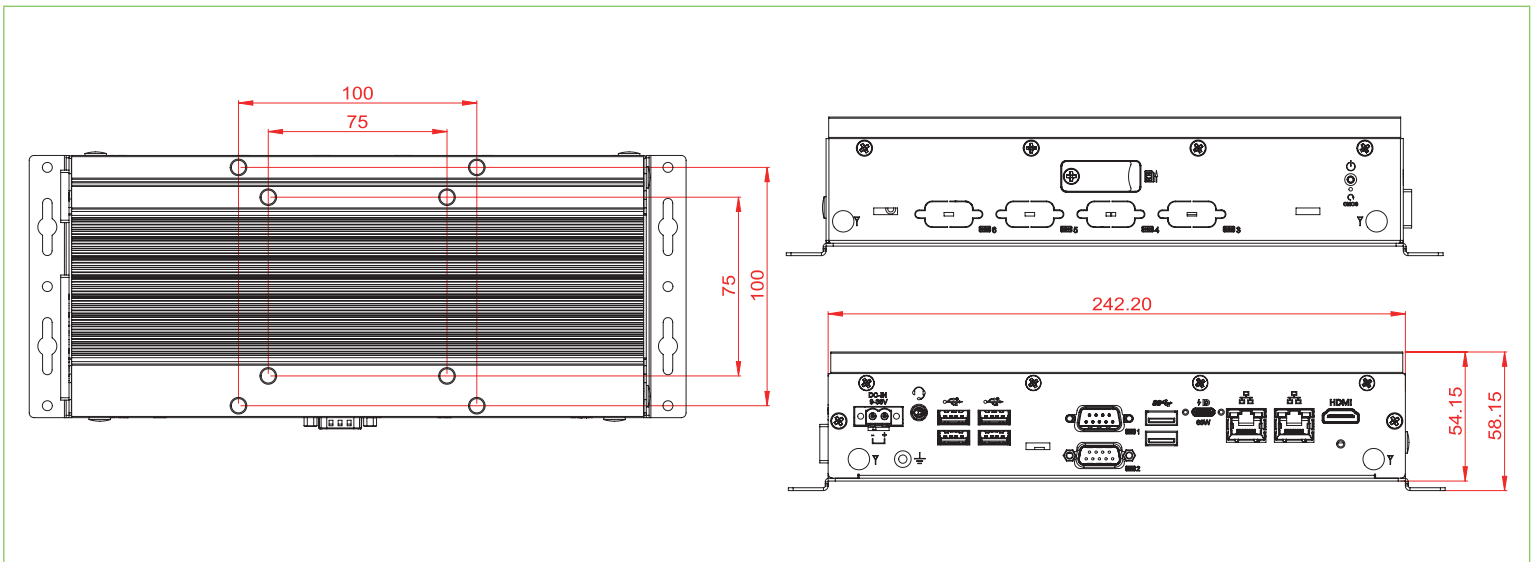
Left Side External I/O



Right Side External I/O



Dimensions



Ordering Information

Model Number	CPU	RAM	Storage	Display	LAN	USB	COM Ports	Audio	M.2 or Mini PCIe	Power Input	Note
ACS200-N97	Intel® Atom® N97 Processor	8G	128G	1x HDMI	2x 2.5G	4x USB 2.0 2x USB 3.2 1x USB-C	2	1	3	9V~36V	USB Type-C Supports PD 60W
ACS200-N150	Intel® i3-N150 Processor										
ACS200-N305	Intel® i3-N305 Processor										
ACS200-N355	Intel® Atom® X7835RE Processor										
ACS200-7835	Intel® i3-N355 Processor										

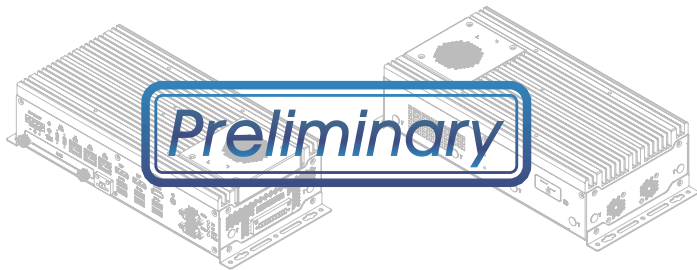
Packing List

Part Number	Description	Qty.
-	ACS200-210 Box PC	1
D2MANUAL-0000100P	Manuals & Driver download instructions	1
C12162ESD02105000P	DC-in Dinkle bare-wire converter	1
C1216EC3802103000P	POWER SW Dinkle bare-wire converter	1
C1216EC3810103000P	DIO Dinkle bare wire converter	1

Optional Items

Part Number	Description	Qty.
A005PS090W0100710P	AC 100V~240V Adaptor 90W DC 24V/3.75A	1
A005PS180W0100800P	AC 100V~240V Adaptor 180W DC 24V/7.5A	1
A030PCEUR03000000P	EU AC Power Cord (183CM)	1
A030PCEN020100000P	UK AC Power Cord (183CM)	1
A030PCAM040100000P	US AC Power Cord (183CM)	1
A030PCJP050001000P	JP AC Power Cord (183CM)	1
H06Z01RAAMS3XX00AP	DIN-Rail Kit with screw	1
C501PK15609202800P	CBL;PK1-56B 2-HD 9C (10CM) for COM 3,4	2
C501PK15609202000P	CBL;PK1-56 2-HD 9C (25CM) for COM 5,6	2

● NOTE: When connecting to an IPPL high-brightness >700nits or using it in a high-temperature >45°C environment for a long time, please choose 180W.



Features

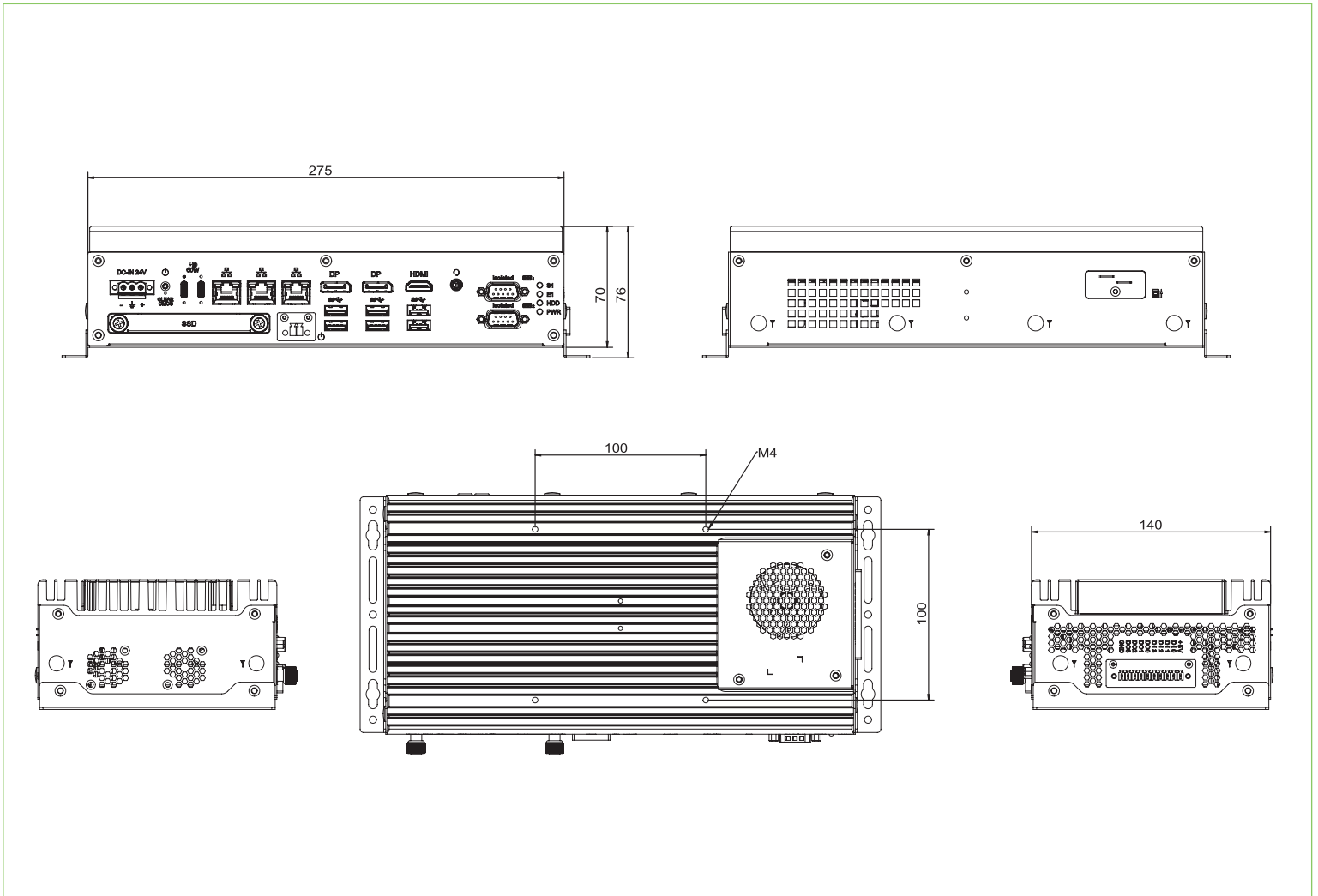
- Compact Expandable System for MBE340 proprietary board
- Intel® Core™ Ultra Series 3 Processors
- AI performance up to 100 TOPS (NPU ~50, GPU ~40, CPU ~10)
- Supports dual-channel DDR5-7200 SO-DIMM
- 2x USB Type-C (DP Alternate Mode), supports up to 60W per port
- Removable drive bay for 2.5-inch HDD/SSD
- Over-voltage / Under-voltage / Reverse-voltage protection
- Supports DIN-rail mount & wall mount
- Supports TPM 2.0 hardware security
- Isolated COM 1 and COM2
- HDMI, 2x DP, 2x USB-C (DP Alternate Mode), supporting up to 4x independent displays
- 6x USB 3.2
- 4x internal M.2 sockets for 2x storage, Wi-Fi/BT, and 4G/5G communication with dual Nano SIM slots

Specifications

System	Processor	Intel® Core™ Ultra 7 Processor 366H (18M Cache, up to 4.80 GHz)
	Memory	2x DDR5-7200 SO-DIMM, up to 128GB
	Thermal Design	Smart Fan
	Membrane Control	None
	Power Button	Tact Switch
I/O Interface	USB 3.2	6x USB 3.2 2x USB Type-C (DP Alternate Mode), PD up to 60W each port
	USB 2.0	N/A
	RS-232/422/485 Selectable via BIOS	Isolated COM 1 and COM 2
	RS-232	Optional COM3–COM6 via Riser Card
	LAN	3x 2.5GbE
	Additional Graphics	2x DP 1x HDMI 2.0 2x USB-C (DP Alternate mode) *Maximum of 4 display outputs
	Audio	Combo Jack
	Digital I/O	4x DI, 4x DO
	Power Connector	3-pin bare-wire DC-IN
Mechanical	Dimensions (mm)	275 (W) x 140 (D) x 70 (H) mm
	Net Weight (kgs)	3

Expansion	Internal Expansion Slots	1x M.2 2280 M-Key socket [SATA & PCIe x1 NVMe] 1x M.2 2280 M-Key socket [PCIe x1 NVMe w/o SATA] 1x M.2 2030 E-Key socket [USB 2.0 & PCIe x1] (for Wi-Fi & BT module) 1x M.2 3052 B-Key socket [USB 2.0 / 3.0 & PCIe x1] (for 4G 5G)
	Expansion Slot	None
	Wireless	Optional Wi-Fi/BT/4G/5G/LTE
	Storage Space	HDD/SSD
Removable		2.5-inch HDD/SSD
Power	Power Input Range	24V DC
Construction	Chassis Material	Aluminum and SGCC
	Color (Front/Back)	Gray / Gray
	IP Rating	N/A
Environmental	Mounting	VESA 100x100mm, Wall Mount, optional DIN-Rail Kit
	Operating Temperature	-10°C ~ 60°C (14°F~140°F) (with airflow) -10°C ~ 50°C (14°F to 122°F) (without airflow)
	Storage Temperature	-20°C ~ 80°C (-4°F to 176°F)
	Storage Humidity	5%~90% @ 50°C, (non-condensing)
	Certification	CE/FCC Class-B
	Supported Operating Systems	Microsoft Windows 10 / 11 Linux Kernel 4+

Dimensions



Ordering Information

Model Number	CPU	RAM	Storage	Display	LAN	USB	COM Ports	Audio	M.2	Power Input	Note
ACS303-7	Core™ Ultra 7 366H	N/A	N/A	4x	3x 2.5G	6x USB 3.2 2x USB-C	2	1	4	DC-IN +24V	USB-C PD60W+60W

Packing List

Part Number	Description	Qty.
-	ACS303 BOX PC	1
D2MANUAL--0000100P	Manuals & Driver Download Instructions	1
C12162ESD04105200P	DC-IN Dinkle bare-wire converter	1
C1216EC3802103000P	Power SW Dinkle bare-wire converter	1

Optional Items

Part Number	Description	Qty.
A030PCEUR03000000P	EU AC Power Cord (183CM)	1
A030PCEN020100000P	UK AC Power Cord (183CM)	1
A030PCAM040100000P	US AC Power Cord (183CM)	1
A030PCJP050001000P	JP AC Power Cord (183CM)	1
SC2DINRAIL-0A1100P	DIN-Rail Kit with screw	1
A005PS180W0100800P	180W 24V Power Adaptor	1

● NOTE: When connecting to an IPPL high-brightness >700nits or using it in a high-temperature >45°C environment for a long time, please choose 180W.



Features

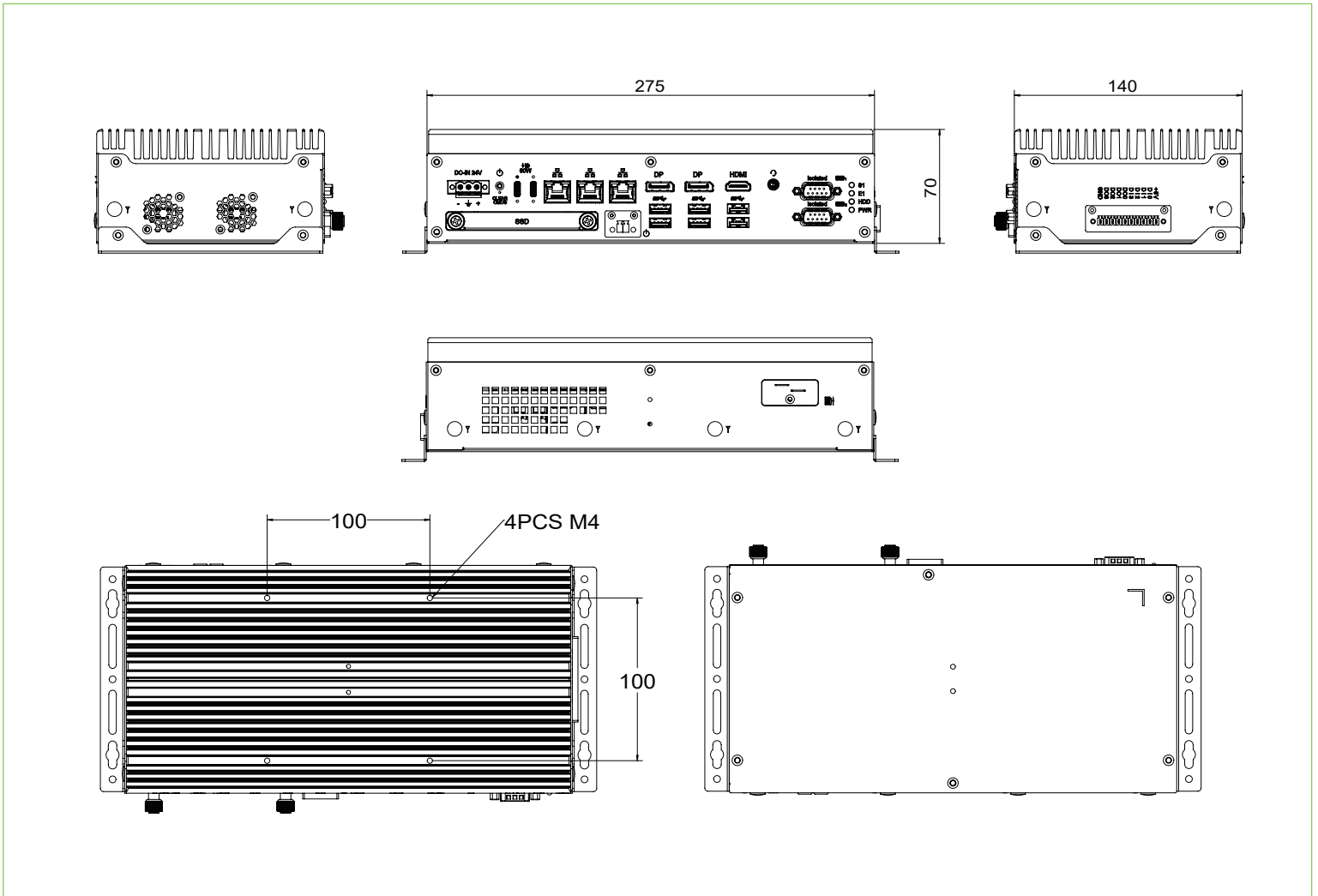
- Compact Expandable System for MBE330 proprietary board
- 13th Gen Intel® Core™ i7/i5/i3/U300E Processors
- Supports dual-channel DDR5-4800 SO-DIMM
- 2x USB Type-C (DP Alternate Mode), supports up to 60W per port
- Removable drive bay for 2.5 inch HDD/SSD
- Over/Under/Reverse voltage protection
- Supports DIN-rail mount & wall mount
- Supports TPM 2.0 hardware security
- Isolated COM 1 and COM2
- HDMI, 2x DP++, 2x USB-C (DP Alternate Mode) supports up to 4x independent displays
- 6x USB 3.2
- 4x internal M.2 sockets for 2x storage, Wi-Fi/BT, and 4G/5G communication with Dual Nano SIM slots

Specifications

System	Processor	Intel® U300E Processor (Five-Core @ 4.3GHz) Intel® Core™ i3-1315UE Processor (Ten-Core @ 4.6GHz) Intel® Core™ i5-1335UE Processor (Ten-Core @ 4.6GHz) Intel® Core™ i7-1365UE Processor (Ten-Core @ 4.9GHz)
	Memory	2x DDR5-5200 SO-DIMM, up to 96GB
	Thermal Design	Fanless
	Membrane Control	None
	Power Button	Tact Switch
I/O Interface	USB 3.2	6x USB 3.2 2x USB Type-C (Alternate mode) PD up to 60W each port
	USB 2.0	N/A
	RS-232/422/485 Selectable via BIOS	Isolated COM 1 and COM 2
	RS-232	Optional COM 3~6 by Riser Card
	LAN	3x 2.5GbE
	Additional Graphics	2x DP++ 1.4 1x HDMI 2.0 2x USB-C (DP Alternate mode) *Maximum up to 4 port output
	Audio	Combo Jack
	Digital I/O	4x DI, 4x DO
Mechanical	Power Connector	3-Pin Bare-Wire DC-IN
	Dimensions (mm)	275mm(W) x 140mm(D) x 70mm(H)
	Net Weight (kgs)	2.75

Expansion	Internal Expansion Slots	1x M.2 2280 M Key sockets [support SATA & PCIe1 NVMe] 1x M.2 2280 M Key sockets [support PCIe1 NVMe w/o SATA] 1x M.2 2030 E-key socket [support USB2.0 & PCIe1] (for wifi & BT module) 1x M.2 3052 B-key socket [support USB2.0 & 3.0 & PCIe1] (for 4G 5G)
	Expansion Slot	None
	Wireless	Optional Wi-Fi/BT/4G/5G/LTE
Storage Space	HDD/SSD	2x M.2 (M Key) NVMe for S/W RAID 1x SATA for 2.5" Drive Bay (or Dual SATA RAID Module)
	Removable	2.5 inch HDD/SSD
Power	Power Input Range	+24V DC
Construction	Chassis Material	Aluminum and SGCC
	Color (Front/Back)	Gray / Gray
	IP Rating	N/A
Environmental	Mounting	VESA 100x100mm, Wall Mount, optional DIN-Rail KIT
	Operating Temperature	-10°C ~ 60°C (14°F~140°F) *with airflow -10°C ~ 50°C (14°F to 122°F) without airflow
	Storage Temperature	-20°C ~ 80°C (-4°F to 176°F)
	Storage Humidity	5%~90% @ 50°C, (non-condensing)
	Certification	CE/FCC Class-B
	Supported Operating Systems	Microsoft Windows 10,11, Linux Kernel 4+

Dimensions



Ordering Information

Model Number	CPU	RAM	Storage	Display	LAN	USB	COM Ports	Audio	M.2	Power Input	Note
ACS313-U3	Intel® U300E	N/A	N/A	4x	3x 2.5G	6x USB 3.2 2x USB-C	2	1	4	DC-IN +24V	USB-C PD60W+60W
ACS313-i3	Intel® Core™ i3-1315UE										
ACS313-i5	Intel® Core™ i5-1335UE										
ACS313-i7	Intel® Core™ i7-1365UE										

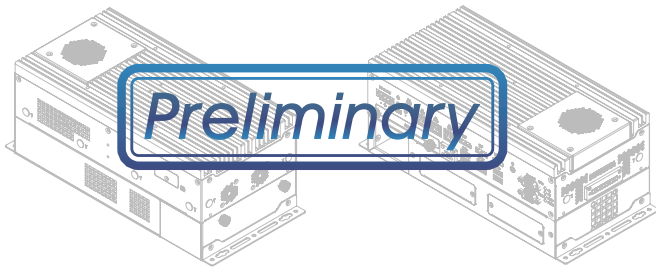
Packing List

Part Number	Description	Qty.
-	ACS313 BOX PC	1
D2MANUAL--0000100P	Manuals & Driver download instructions	1
C12162ESD04105200P	DC-IN Dinkle bare wire converter	1
C1216EC3802103000P	POWER SW Dinkle bare wire converter	1

Optional Items

Part Number	Description	Qty.
A030PCEUR03000000P	EU AC Power Cord (183CM)	1
A030PCEN020100000P	UK AC Power Cord (183CM)	1
A030PCAM040100000P	US AC Power Cord (183CM)	1
A030PCJP050001000P	JP AC Power Cord (183CM)	1
SC2DINRAIL-0A1100P	DIN-Rail KIT with screw	1
A005PS180W0100800P	180W 24V Power Adaptor	1

● NOTE: When connecting to an IPPL high-brightness >700nits or using it in a high-temperature >45°C environment for a long time, please choose 180W.



Specifications

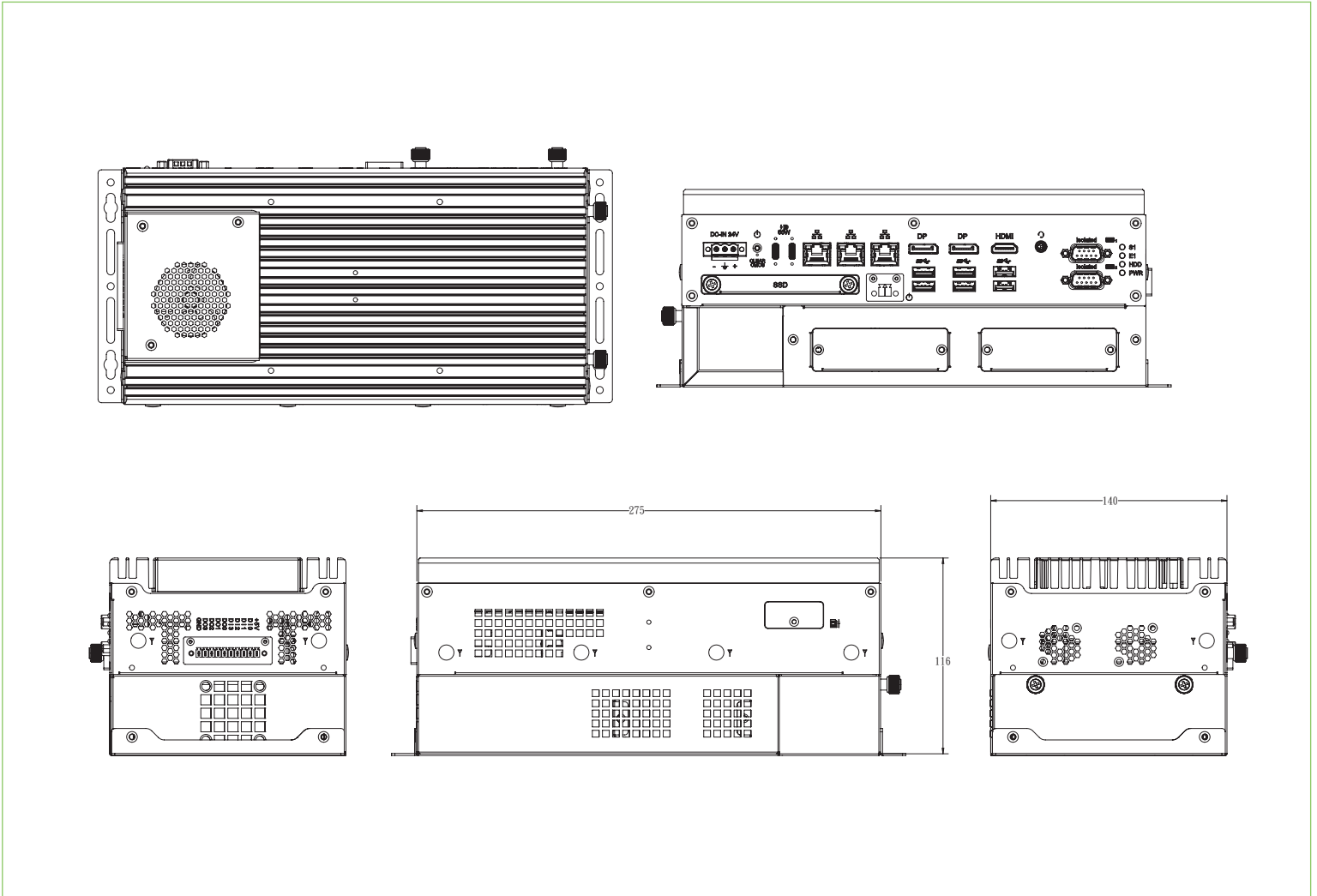
System	Processor	Intel® Core™ Ultra 7 Processor 366H (18M Cache, up to 4.80 GHz)
	Memory	2x DDR5-7200 SO-DIMM, up to 96GB
	Thermal Design	Smart Fan
	Built-in Speaker/Mic	None
	Power Button	Tact Switch
I/O Interface	USB 3.2	6x USB 3.2 2x USB Type-C (DP Alternate Mode), PD up to 60W each port
	USB 2.0	N/A
	RS-232/422/485 Selectable via BIOS	Isolated COM1 and COM 2
	RS-232	Optional COM3 ~ COM6 via Riser Card
	LAN	3x 2.5GbE
	Additional Graphics	2x DP 1x HDMI 2.0 2x USB-C (DP Alternate mode) *Maximum of 4 display outputs
	Audio	Combo Jack
	Digital I/O	4x DI, 4x DO
	Power Connector	3-pin bare-wire DC-IN
Mechanical	Dimensions (mm)	275 (W) x 140 (D) x 117 (H) mm
	Net Weight (kgs)	3.75

Features

- Compact Expandable System for MBE340 proprietary board
- Intel® Core™ Ultra Series 3 processors
- AI Performance up to 100 TOPS (NPU ~50, GPU ~40, CPU ~10 TOPS)
- Supports dual-channel DDR5-7200 SO-DIMM
- 2x USB Type-C (DP Alternate Mode), supports up to 60W per port
- Removable drive bay for 2.5-inch HDD/SSD
- 1x PCIe (x8) + 1x PCIe (x4) expansion slot
- Over-voltage / Under-voltage / Reverse-voltage protection
- Supports DIN-rail mount & wall mount
- Supports TPM 2.0 hardware security
- Isolated COM1 and COM2
- HDMI, 2x DP, 2x USB-C (DP Alternate Mode), supporting up to 4x independent displays
- 6x USB 3.2
- 4x Internal M.2 sockets for 2x Storage, Wi-Fi/BT and 4G/5G communication with Dual Nano SIM slots

Expansion	Internal Expansion Slots	1x M.2 2280 M-Key socket [SATA & PCIe x1 NVMe] 1x M.2 2280 M-Key socket [PCIex1 NVMe w/o SATA] 1x M.2 2030 E-Key socket [USB 2.0 & PCIe x1] (for Wi-Fi & BT module) 1x M.2 3052 B-Key socket [USB 2.0 / 3.0 & PCIe x1] (for 4G 5G)
	Expansion Slot	1x PCIe (x8) 1x PCIe (x4)
	Wireless	Optional Wi-Fi/BT/4G/5G/LTE
Storage Space	HDD/SSD	2x M.2 (M-Key) NVMe for S/W RAID 1x SATA for 2.5" Drive Bay (or Dual SATA RAID Module)
	Removable	2.5-inch HDD/SSD
Power	Power Input Range	24V DC
Construction	Chassis Material	Aluminum and SGCC
	Color (Front/Back)	Gray / Gray
	IP Rating	N/A
Environmental	Mounting	VESA 100x100mm, Wall Mount, optional DIN-Rail KIT
	Operating Temperature	-10°C ~ 60°C (14°F~140°F) (with airflow) -10°C ~ 50°C (14°F to 122°F) (without airflow)
	Storage Temperature	-20°C ~ 80°C (-4°F to 176°F)
	Storage Humidity	5%~90% @ 50°C, (non-condensing)
	Certification	CE/FCC Class-B
Supported Operating Systems	Microsoft Windows 10 / 11 Linux Kernel 4+	

Dimensions



Ordering Information

Model Number	CPU	RAM	Storage	Display	LAN	USB	COM Ports	Audio	M.2	Power Input	Note
ACS403-7	Core™ Ultra 7 366H	N/A	N/A	4x	3x 2.5G	6x USB 3.2 2x USB-C	2	1	4	DC-IN +24V	USB-C PD60W+60W

Packing List

Part Number	Description	Qty.
-	ACS403 Box PC	1
D2MANUAL--0000100P	Manuals & Driver Download Instructions	1
C12162ESD04105200P	DC-IN Dinkle bare-wire converter	1
C1216EC3802103000P	Power SW Dinkle bare-wire converter	1

Optional Items

Part Number	Description	Qty.
A030PCEUR03000000P	EU AC Power Cord (183CM)	1
A030PCEN020100000P	UK AC Power Cord (183CM)	1
A030PCAM040100000P	US AC Power Cord (183CM)	1
A030PCJP050001000P	JP AC Power Cord (183CM)	1
H06Z01RAAMS3XX00AP	DIN-Rail KIT with screw	1
A005PS180W0100800P	180W 24V Power Adaptor	1

● NOTE: When connecting to an IPPL high-brightness >700nits or using it in a high-temperature >45°C environment for a long time, please choose 180W.



Features

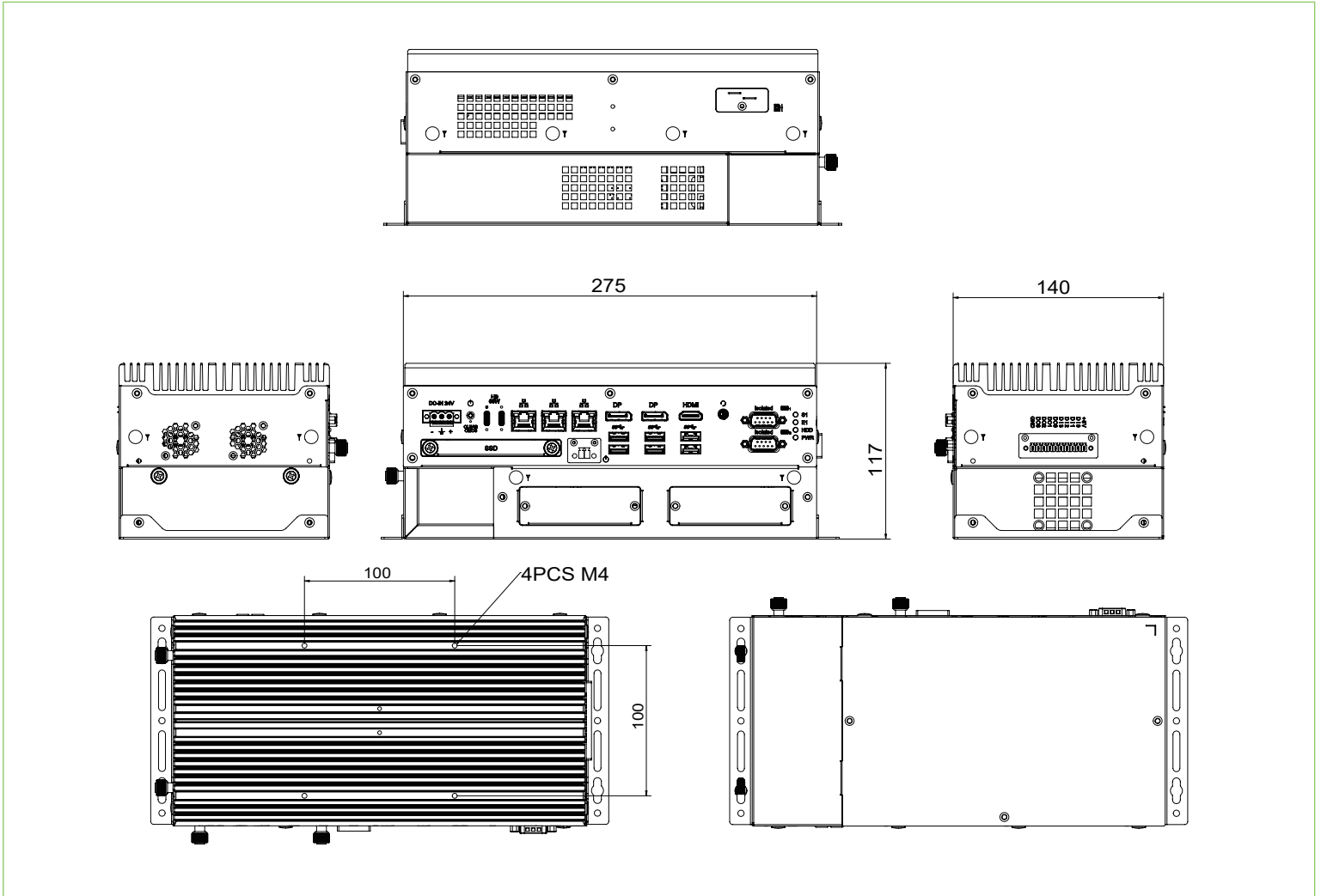
- Compact Expandable System for MBE330 proprietary board
- 13th Gen Intel® Core™ i7/i5/i3/U300E Processors
- Supports dual-channel DDR5-5200 SO-DIMM
- 2x USB Type-C (DP Alternate Mode), Up to 60W per port
- Removable drive bay for 2.5 inch HDD/SSD
- 1x PCIe (x8) + 1x PCIe (x4) expansion slot
- Over/Under/Reverse voltage protection
- Supports DIN-rail mount & wall mount
- Supports TPM 2.0 hardware security
- Isolated COM 1 and COM2
- HDMI, 2x DP++, 2x USB-C (DP Alternate Mode)
Supports up to 4x independent displays
- 6x USB 3.2
- 4x Internal M.2 sockets for 2x Storage, Wi-Fi/BT and 4G/5G communication with Dual Nano SIM slots

Specifications

System	Processor	Intel® U300E Processor (Five-Core @ 4.3GHz) Intel® Core™ i3-1315UE Processor (Ten-Core @ 4.6GHz) Intel® Core™ i5-1335UE Processor (Ten-Core @ 4.6GHz) Intel® Core™ i7-1365UE Processor (Ten-Core @ 4.9GHz)
	Memory	2x DDR5-5200 SO-DIMM, up to 96GB
	Thermal Design	Fanless (Optional Fan)
	Built-in Speaker/Mic	None
	Power Button	Tact Switch
I/O Interface	USB 3.2	6x USB 3.2 2x USB Type-C (Alternate mode) PD up to 60W each port
	USB 2.0	N/A
	RS-232/422/485 Selectable via BIOS	Isolated COM 1 and COM 2
	RS-232	Optional COM 3~6 by Riser Card
	LAN	3x 2.5GbE
	Additional Graphics	2x DP++ 1.4 1x HDMI 2.0 2x USB-C (DP Alternate mode) *Maximum up to 4 port output
	Audio	Combo Jack
	Digital I/O	4x DI, 4x DO
	Power Connector	3-Pin Bare-Wire DC-IN
Mechanical	Dimensions (mm)	275mm(W) x 140mm(D) x 70mm(H)
	Net Weight (kgs)	3.5

Expansion	Internal Expansion Slots	1x M.2 2280 M Key sockets [support SATA & PCIe1 NVMe] 1x M.2 2280 M Key sockets [support PCIe1 NVMe w/o SATA] 1x M.2 2030 E-key socket [support USB2.0 & PCIe1] (for wifi & BT module) 1x M.2 3052 B-key socket [support USB2.0& 3.0 & PCIe1] (for 4G 5G)
	Expansion Slot	1x PCIe (x8) 1x PCIe (x4)
	Wireless	Optional Wi-Fi/BT/4G/5G/LTE
Storage Space	HDD/SSD	2x M.2 (M Key) NVMe for S/W RAID 1x SATA for 2.5" Drive Bay (or Dual SATA RAID Module)
	Removable	2.5 inch HDD/SSD
Power	Power Input Range	+24V DC
Construction	Chassis Material	Aluminum and SGCC
	Color (Front/Back)	Gray / Gray
	IP Rating	N/A
Environmental	Mounting	VESA 100x100mm, Wall Mount, optional DIN-Rail KIT
	Operating Temperature	-10°C ~ 60°C (14°F~140°F) *with airflow -10°C ~ 50°C (14°F to 122°F) without airflow
	Storage Temperature	-20°C ~ 80°C (-4°F to 176°F)
	Storage Humidity	5%~90% @ 50°C, (non-condensing)
	Certification	CE/FCC Class-B
Supported Operating Systems	Microsoft Windows 10,11, Linux Kernel 4+	

Dimensions



Ordering Information

Model Number	CPU	RAM	Storage	Display	LAN	USB	COM Ports	Audio	M.2	Power Input	Note
ACS413-U3	Intel® U300E	N/A	N/A	4x	3x 2.5G	6x USB 3.2 2x USB-C	2	1	4	DC-IN +24V	USB-C PD60W+60W
ACS413-i3	Intel® Core™ i3-1315UE										
ACS413-i5	Intel® Core™ i5-1335UE										
ACS413-i7	Intel® Core™ i7-1365UE										

Packing List

Part Number	Description	Qty.
-	ACS413 BOX PC	1
D2MANUAL--0000100P	Manuals & Driver download instructions	1
C12162ESD04105200P	DC-IN Dinkle bare wire converter	1
C1216EC3802103000P	POWER SW Dinkle bare wire converter	1

Optional Items

Part Number	Description	Qty.
A030PCEUR03000000P	EU AC Power Cord (183CM)	1
A030PCEN020100000P	UK AC Power Cord (183CM)	1
A030PCAM040100000P	US AC Power Cord (183CM)	1
A030PCJP050001000P	JP AC Power Cord (183CM)	1
H06Z01RAAMS3XX00AP	DIN-Rail KIT with screw	1
A005PS180W0100800P	180W 24V Power Adaptor	1

● NOTE: When connecting to an IPPL high-brightness >700nits or using it in a high-temperature >45°C environment for a long time, please choose 180W.



Features

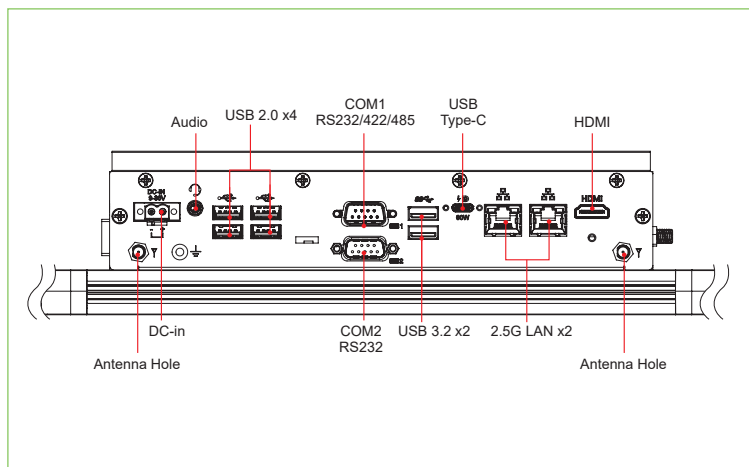
- Compliance with 6mm V-Slot™ Standard Groove
- 21.5" flat LCD panel with projected capacitive touchscreen
- IP65 Front Panel Waterproof Design
- Intel® Atom® N150 / N97 / Core™ 3 N355 Processors
- Rich I/O supports COM x 2, Optional Power COM x 4, DI x 4, DO x4, USB x 6 (3.2 x 2 + 2.0 x 4)
- USB Type-C PD 60W (DP Alternate Mode)
- Supports M.2 sockets for Wi-Fi / BT and 4G/5G communication with Nano SIM slot
- Supports TPM 2.0 hardware security
- Wide-range power input +9V ~ 36V DC

Specifications

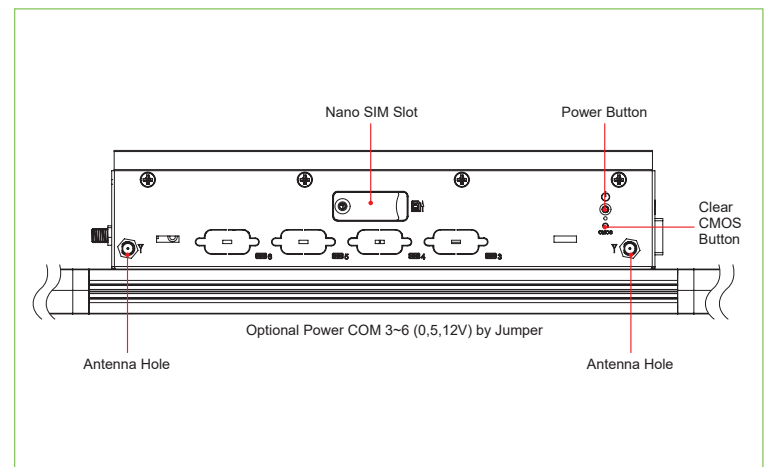
Display & Touch Screen	Display Size	21.5 (16:9)
	Max. Resolution	1920 x 1080 (16:9)
	Luminance (cd/m2)	250 (Optional 500 nits)
	Contrast	1000 : 1
	Max. Color	16.7M
	View Angle (H/V)	178° / 178°
	Backlight Lifetime(hrs)	50,000
	Touch Type	Projected Capacitive Touch
	Touch Interface	USB
	Light Transmission (%)	85±2.5%
	Point of touch	Up to 10
System	Processor	Intel® Atom® N150 Processor (Quad-Core) Intel® Atom® N97 Processor (Quad-Core) Intel® Core™ N355 Processor (Quad-Core)
	Memory	1x DDR5 SO-DIMM, up to 16GB
	Thermal Design	Fanless
	Membrane Control	None
	Built-in Speaker/Mic	None
Expansion	Internal Expansion Bus	1x M.2 2280 (M-Key) 1x M.2 2230 (E-Key) 1x M.2 3052 (B-Key)
	Expansion Slot	N/A
	Wireless	Optional Wi-Fi/BT/4G/5G/LTE
Storage Space	HDD	SDD:1x M.2 2280 (M-Key)
	Removable	RAID 0/1: M.2 2280 + M.2 2242 (10mm adapter to M.2 3052)

I/O Interface	USB 3.0	2x USB 3.2, 1x USB Type-C
	USB 2.0	4x USB 2.0
	RS-232/422/485 Selectable via BIOS	COM 1 Selectable in BIOS
	RS-232	COM2 and optional COM3-COM6 (Pin9: 0V / 5V / 12V)
	LAN	2x 2.5GbE
	Additional Graphics	HDMI 1x USB-C (DP Alternate Mode)
	Audio	Combo Jack
	Digital I/O	4x DI, 4x DO
	Power Connector	2-pin bare-wire DC-IN and GND screw
	Power Button	Tact Switch
Power	Power Input Range	DC +9V ~ 36V
Mechanical	Dimensions (mm)	540 x 331 x 73
	Net Weight (kgs)	7.3
Environmental	Operating Temperature	-20°C~45°C
	Storage Temperature	-30~60°C
	Storage Humidity	5%~90% @ 50°C (non-condensing)
	Certification	CE/FCC Class-B
Construction	Supported Operating Systems	Microsoft Windows 10 / 11 Linux Kernel 4+
	Chassis Material	Aluminum and SGCC
Construction	Color (Front/Back)	Gray / Gray
	IP Rating	IP66 Front-Panel Waterproof
	Mounting	VESA 75x75 and 100x100 mm, side mount and optional Panel Mount

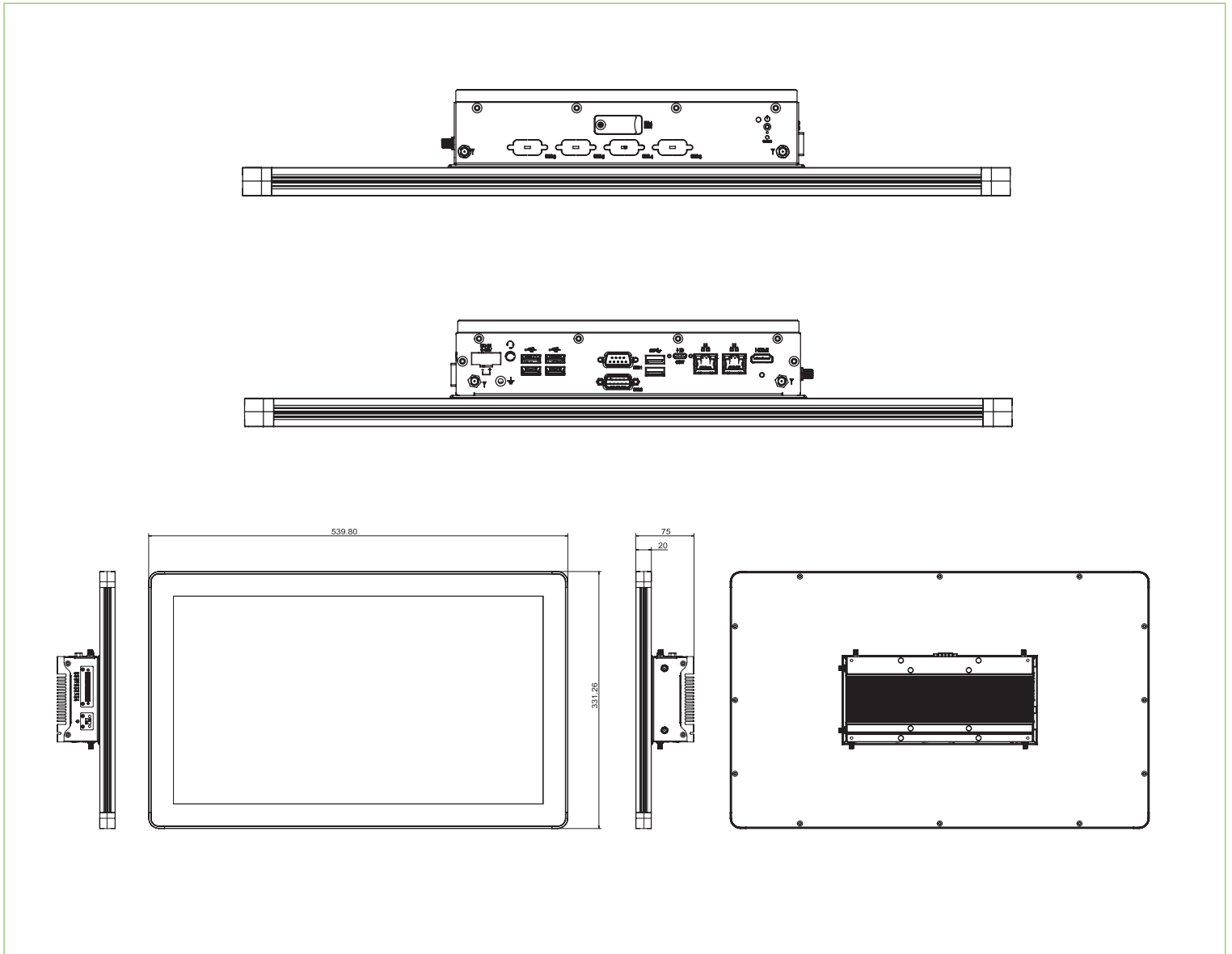
Rear External I/O



Front External I/O



Dimensions



Ordering Information

Model Number	CPU	Display	LAN	USB	COM Ports	Combo Audio	M.2	Power Input	Note
S02IPPC215-0B1100R	Intel® Atom® N97 Processor	1x HDMI	2x 2.5G	2x USB 3.2 1x USB-C	2	N/A	3	DC-IN +9~36V	USB Type-C 5V/3A
S02IPPC215-0B1200R	Intel® Atom® N150 Processor								
S02IPPC215-0B1300R	Intel® Core™ 3 N355								

● Other panel size requirements. Please contact sales.

Packing List

Part Number	Description	Qty.
-	IPPC-W215 series Panel PC	1
D2MANUAL--0000100P	Manuals & Driver Download Instructions	1
C12162ESD02105000P	DC-IN Dinkle bare-wire converter	1
C1216EC3802103000P	Power SW Dinkle bare-wire converter	1
C1216EC3810103000P	DIO Dinkle bare-wire converter	1
H03320M5010101000P	M5 T-Nut for T/V slot	10

Optional Items

Part Number	Description	Qty.
A005PS090W0100710P	AC 100V~240V Adaptor 90W DC 24V/3.75A	1
A005PS180W0100800P	AC 100V~240V Adaptor 180W DC 24V/7.5A	1
A030PCEUR03000000P	EU AC Power Cord (183CM)	1
A030PCEN020100000P	UK AC Power Cord (183CM)	1
A030PCAM040100000P	US AC Power Cord (183CM)	1
A030PCJP050001000P	JP AC Power Cord (183CM)	1
C501PK15609202B00P	CBL;PK1-56B 2-HD 9C (10CM) for COM 3,4	2
C501PK15609202000P	CBL;PK1-56 2-HD 9C (25CM) for COM 5,6	2



Features

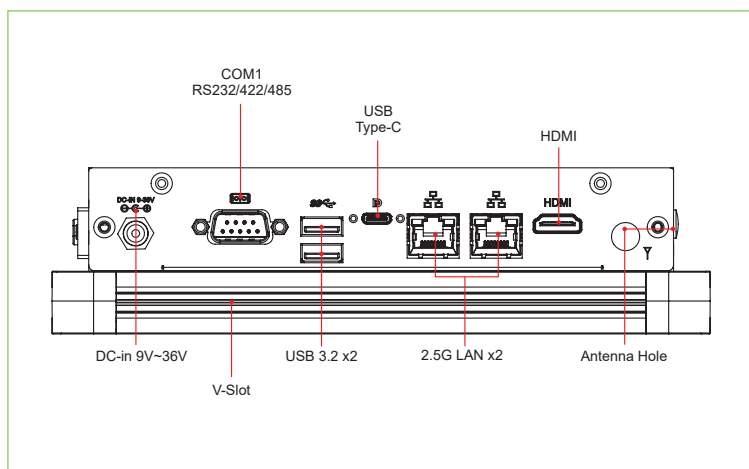
- Compliance with 6mm T and V-Slot™ Standard Groove
- 7" flat LCD panel with projected capacitive touchscreen
- IP66 Front Panel Waterproof Design
- Intel® Atom® N150 / N97 / Core™ 3 N355 Processors (formerly Twin Lake)
- I/O supports COMx2, USB 3.2x2 USB Type-C Alternate mode
- Supports M.2 sockets for Wi-Fi / BT and 4G/5G communication with Nano SIM slot
- Supports TPM2.0 hardware security
- Extended operating temperature -20°C to 70°C
- Wide Range Power Input DC-IN +9V ~ 36V

Specifications

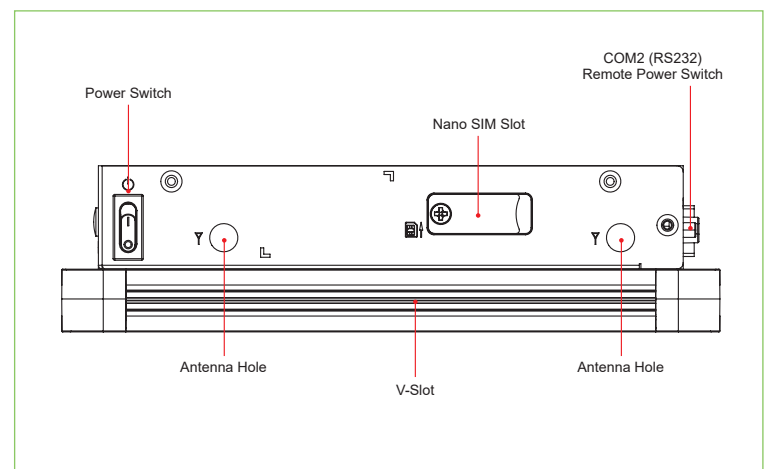
Display & Touch Screen	Display Size	7 (15:9)
	Max. Resolution	800 x480 (15:9)
	Luminance (cd/m2)	500
	Contrast	800 : 1
	Max. Color	16.7M
	View Angle (H/V)	178° / 178°
	Backlight Lifetime(hrs)	50,000
	Touch Type	Projected Capacitive touch
	Touch Interface	USB
	Light Transmission (%)	85±2.5%
	Point of touch	Up to 10
System	Processor	Intel® Atom® N150 Processor(Quad-Core) Intel® Atom® N97 Processor(Quad-Core) Intel® Core™ N355 Processor(Quad-Core)
	Memory	1x DDR5 SO-DIMM, up to 16GB
	Thermal Design	Fanless
	Membrane Control	None
	Built-in Speaker/Mic	None
Expansion	Internal Expansion Bus	1x M.2 2280 (M Key) 1x M.2 2230 (E-Key) 1x M.2 3052 (B-Key)
	Expansion Slot	N/A
	Wireless	Optional Wi-Fi/BT/4G/5G/LTE
Storage Space	HDD	SDD:1x M.2 2280 (M-Key)
	Removable	RAID Mode 0,1: M.2 2280 + M.2 2242 (10mm adapter to M.2 3052)

I/O Interface	USB 3.0	2x USB 3.2, 1x USB Type-C
	USB 2.0	N/A
	RS-232/422/485 Selectable via BIOS	COM 1 Selectable in BIOS
	RS-232	COM 2
	LAN	2x 2.5GbE
	Additional Graphics	HDMI 1x USB-C (DP Alternate mode)
	Audio	None
	Digital I/O	None
	Power Connector	DC Jack with screw lock
	Power Button	Rocker Switch
Power	Power Input Range	DC +9V~36V
Mechanical	Dimensions (mm)	210 x 149 x 53
	Net Weight (kgs)	3.0 kgs
Environmental	Operating Temperature	-20°C~70°C for N150 with air flow -20°C~50°C for N97 -20°C~40°C for N355
	Storage Temperature	-30~80°C
	Storage Humidity	5%~90% @ 50°C (non-condensing)
	Certification	CE/FCC Class-B
	Supported Operating Systems	Microsoft Windows 10,11, Linux Kernel 4+
Construction	Chassis Material	Aluminum and SGCC
	Color (Front/Back)	Gray / Gray
	IP Rating	IP66 front-panel waterproof
	Mounting	VESA 75x75 and 100x100 mm, side mount and optional Panel Mount

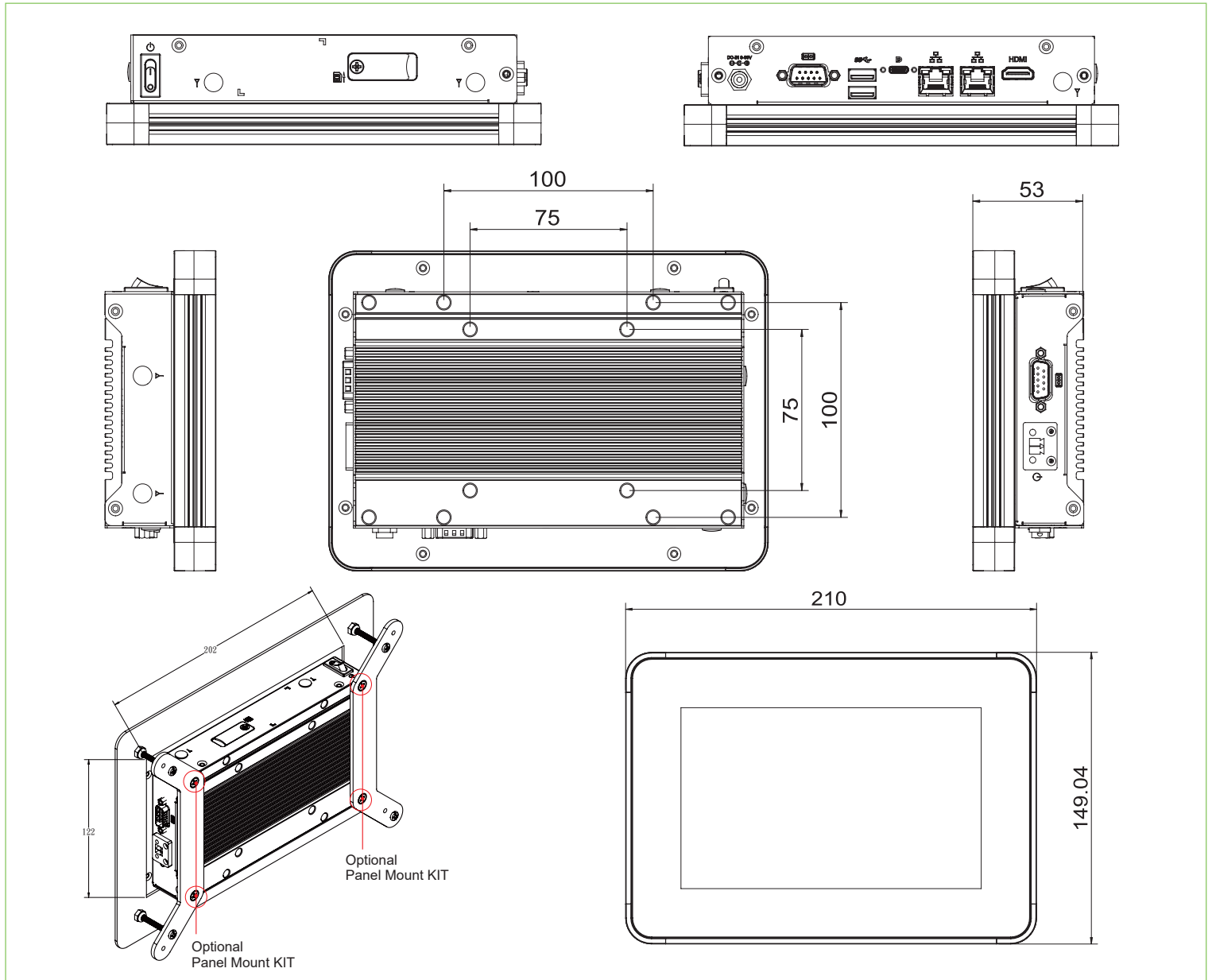
Rear External I/O



Front External I/O



Dimensions



Ordering Information

Model Number	CPU	Display	LAN	USB	COM Ports	Combo Audio	M.2	Power Input	Note
IPPC-W07-N150	Intel® ATOM® N150 (Quad-Core)	1x HDMI	2x 2.5G	2x USB 3.2 1x USB-C	2	N/A	3	DC-IN +9~36V	USB Type-C 5V/3A
IPPC-W07-N97	Intel® ATOM® N97 (Quad-Core)								
IPPC-W07-N355	Intel® ATOM® N355 (Quad-Core)								

- Other panel size requirements. Please contact sales.

Packing List

Part Number	Description	Qty.
-	IPPC-W07 Panel PC	1
D2MANUAL--0000100P	Manuals & Driver download instructions	1
A005PS050W0103000P	W/LOCK [FSP FSP050-DHAC3] 12V/50W	1
C1216EC3802103000P	POWER SW Dinkle bare wire converter	1
H03320M5010101000P	M5 T-Nut for T/V slot	8

Optional Items

Part Number	Description	Qty.
SC3IPPLW156A10100R	Panel Mount KIT with screw	1
A030PCEUR03000000P	EU AC Power Cord (183CM)	1
A030PCEN020100000P	UK AC Power Cord (183CM)	1
A030PCAM040100000P	US AC Power Cord (183CM)	1
A030PCJP050001000P	JP AC Power Cord (183CM)	1



Features

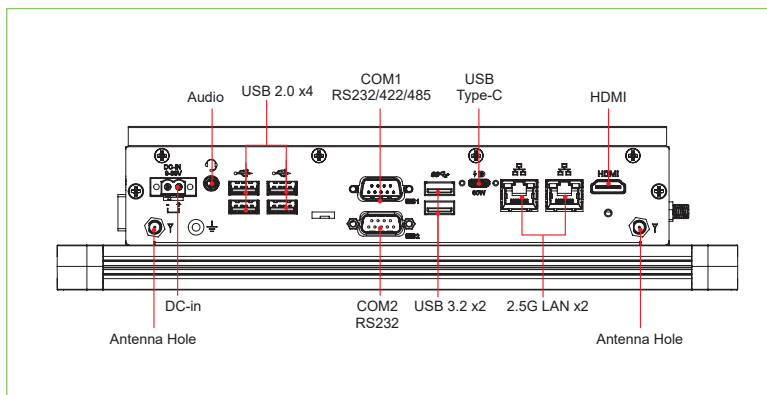
- Intel® Atom® x7000E Series / N-series / Core™ 3 N355 Processors
- Compliance with 6mm T and V-Slot™ Standard Groove
- 12.1" flat LCD panel with projected capacitive touchscreen
- IP65 Front Panel Waterproof Design
- Rich I/O supports 2x COM, 4x Optional Power COM, 4x DI, 4x DO, USB Type-C with PD 60W Alternate mode and 6x USB (2x USB 3.2 + 4x USB 2.0)
- Supports M.2 sockets for Wi-Fi / BT and 4G/5G communication with a Nano SIM slot
- Supports hardware TPM2.0 security
- Wide Range Power Input DC-in +9V ~ 36V DC-in

Specifications

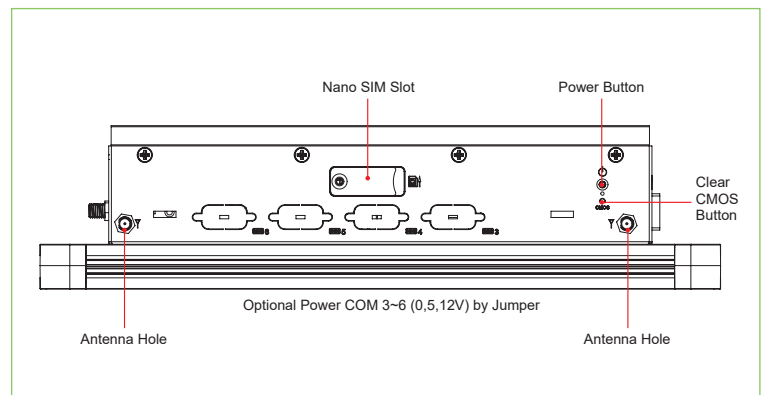
Display & Touch Screen	Display Size	12.1"
	Max. Resolution	1024 x 768
	Luminance (cd/m2)	500
	Contrast	1000:1
	Max. Color	16.7M
	View Angle (H/V)	178/178
	Backlight Lifetime(hrs)	30,000
	Touch Type	Projected capacitive
	Touch Interface	USB
	Light Transmission (%)	85
System	Processor	Intel® Atom™ N97 Processor (4 Cores) up to 3.6G Intel® Atom™ N150 Processor (4 Cores) up to 3.6G Intel® Core™ i3 N305 Processor (8 Cores) up to 3.8G Intel® Core™ 3 N355 Processor (8 Cores) up to 3.9G Intel® Atom™ X7835RE Processor (8 Cores) up to 3.6G
	Memory	1x DDR4 SO-DIMM, up to 16GB
	Thermal Design	Fanless
	Membrane Control	None
	Built-in Speaker/Mic	None
Expansion	Internal Expansion Bus	1x M.2 2280 (M-key + B-key) 1x M.2 2230 (E-key) 1x M.2 3043 (B-key)
	Expansion Slot	N/A
	Wireless	Optional Wi-Fi/BT/4G/5G/LTE
Storage Space	HDD	N/A
	Removable	N/A

I/O Interface	USB 3.0	2x USB 3.2 1x USB Type-C (Alternate mode w/ PD 60W)
	USB 2.0	4
	RS-232/422/485 Selectable via BIOS	COM 1
	RS-232	COM2 and optional 3~6
	LAN	2x GbE
	Additional Graphics	HDMI 1x USB-C (DP Alternate mode)
	Audio	Combo Jack
	Digital I/O	4x DI and 4x DO
	Power Connector	2-pin bare-wire DC-in & GND screw
	Power Button	Tact Switch
Power	Power Input Range	DC +9V~36V
Mechanical	Dimensions (mm)	303.4 x 242 x 72.9
	Net Weight (kgs)	3.6
Environmental	Operating Temperature	N97, N305 and N305: -20°C~50°C (-4°F~122°F) N150: -20°C~70°C (-4°F~158°F) *with airflow x7835RE: -30°C~60°C (-22°F~140°F) *with airflow
	Storage Temperature	-30~80°C (-22°F~176°F)
	Storage Humidity	10%~90% (non-condensing)
	Certification	CE/FCC Class-B and LVD
	Supported Operating Systems	Windows 10, 11 / Linux Kernel 4+
Construction	Chassis Material	Aluminum and SGCC
	Color (Front/Back)	Gray / Black
	IP Rating	IP66 front-panel waterproof protection
	Mounting	VESA 75x75 and 100x100 mm, Panel Mount and optional side mount

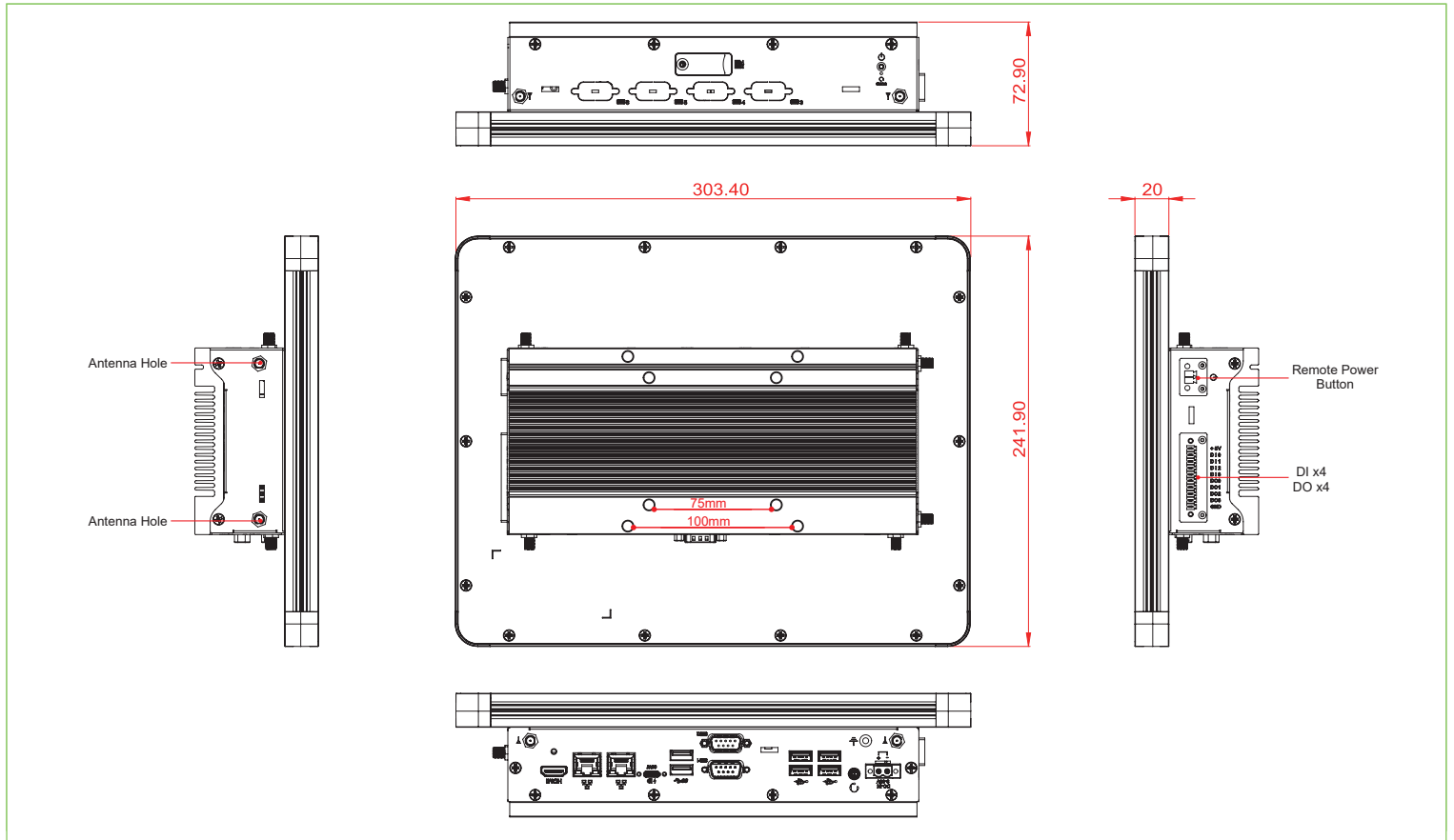
Rear External I/O



Front External I/O



Dimensions



Ordering Information

Model Number	CPU	RAM	Storage	Display	LAN	USB	COM Ports	Audio	M.2 or Mini PCIe	Power Input	Note
IPPC-121-N97-M	Intel® Atom™ N97 Processor	N/A	N/A	1x HDMI	2x 2.5G	4x USB 2.0 2x USB 3.2 1x USB-C	2	1	3	DC-in +9V~36V	USB Type-C Supports PD 60W
IPPC-121-N150-M	Intel® Atom™ N150 Processor										
IPPC-121-N305-M	Intel® Core™ i3 N305 Processor										
IPPC-121-N355-M	Intel® Core™ 3 N355 Processor										
IPPC-121-7835-M	Intel® Atom™ x7835RE Processor										

Packing List

Part Number	Description	Qty.
-	IPPC-121 series Panel PC	1
D2MANUAL--0000100P	Manuals & Driver download instructions	1
C12162ESD02105000P	DC-in Dinkle bare wire converter	1
C1216EC3802103000P	POWER SW Dinkle bare wire converter	1
C1216EC3810103000P	DIO Dinkle bare wire converter	1
H03320M5010101000P	M5 T-Nut for T/V slot	10

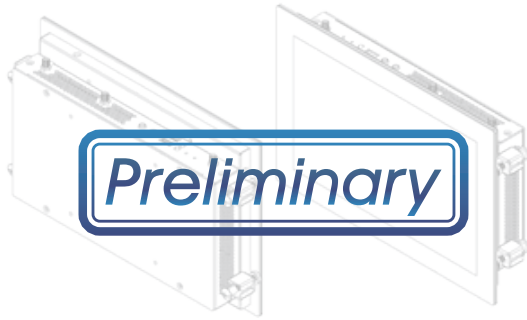
Optional Items

Part Number	Description	Qty.
A005PS090W0100710P	AC 100V~240V Adaptor 90W DC 24V/3.75A	1
A005PS180W0100800P	AC 100V~240V Adaptor 180W DC 24V/7.5A	1
A030PCEUR03000000P	EU AC Power Cord (183CM)	1
A030PCEN020100000P	UK AC Power Cord (183CM)	1
A030PCAM040100000P	US AC Power Cord (183CM)	1
A030PCJP050001000P	JP AC Power Cord (183CM)	1
H06Z01RAAMS3XX00AP	DIN-Rail Kit with screw	1
C501PK15609202B00P	CBL;PK1-56B 2-HD 9C (10CM) for COM 3,4	2
C501PK15609202000P	CBL;PK1-56 2-HD 9C (25CM) for COM 5,6	2
SC3IPPLW156A10100R	Panel Mount KIT	1

- When connecting to an IPPL high-brightness >700nits or using it in a high-temperature >45°C environment for a long time, please choose 180W.



- Other panel size requirements. Please contact sales.



Preliminary



Specifications

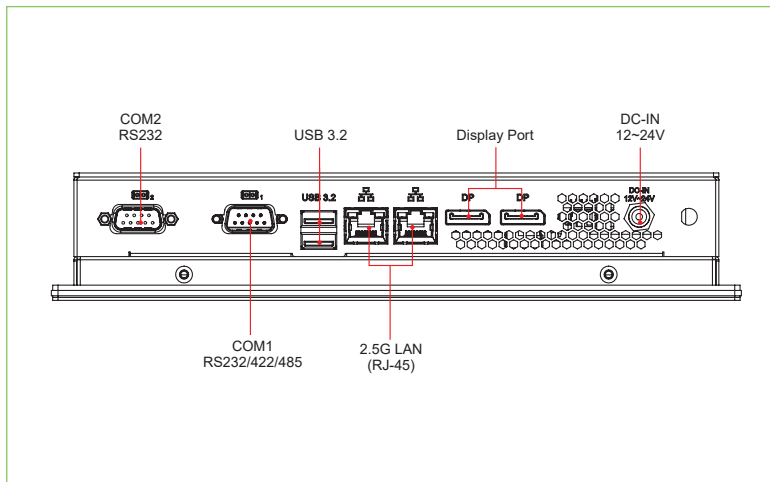
Display & Touch Screen	Display Size	10.1 (16:10)
	Max. Resolution	1920 x1200 (16:10)
	Luminance (cd/m2)	1000
	Contrast	1000 : 1
	Max. Color	16.7M
	View Angle (H/V)	178° / 178°
	Backlight Lifetime(hrs)	50,000
	Touch Type	Projected Capacitive touch
	Touch Interface	USB
	Light Transmission (%)	85±2.5%
Point of touch	Up to 10	
System	Processor	Intel® Atom® N97 Processor (Quad-Core @ 3.6GHz) Intel® Atom® N150 Processor (Quad-Core @ 3.6GHz) Intel® Atom® X7433RE Processor (Quad-Core @ 3.4GHz)
	Memory	1x DDR5 SO-DIMM, up to 16GB
	Thermal Design	Fanless
	Membrane Control	None
	Built-in Speaker/Mic	None
Expansion	Internal Expansion Bus	1x M.2 2280 (M Key) SATA 1x M.2 2230 (E-Key) 1x M.2 3052 (B-Key)
	Expansion Slot	N/A
	Wireless	Optional Wi-Fi/BT/4G/5G/LTE
Storage Space	HDD	SDD:1x M.2 2280 (M-Key) SATA
	Removable	N/A

Features

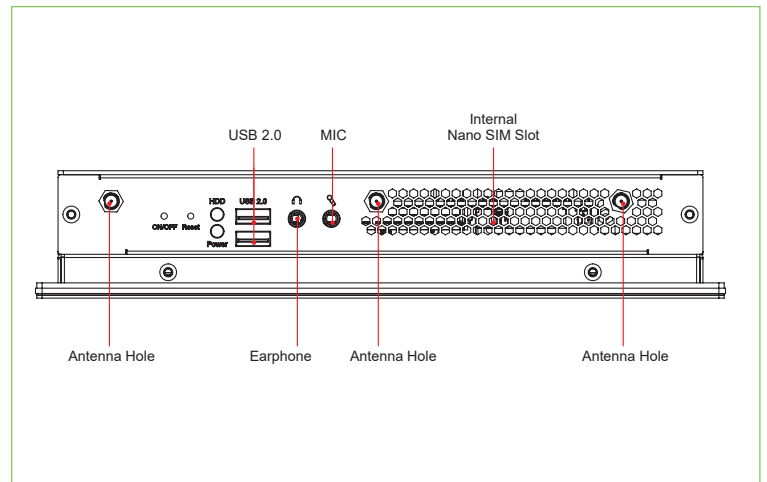
- 1,000nits sunlight readable
- 10.1" flat LCD panel with projected capacitive touchscreen
- IP65 Front Panel Waterproof Design
- Supports Intel® Twin Lake N150 Processor
- Internal Expansion M.2 Slot x 3
- I/O supports COMx2, USB 3.2x2, USB 2.0x2, Audio
- Supports M.2 sockets for Wi-Fi / BT and 4G/5G communication with Nano SIM slot
- Supports TPM2.0 hardware security
- Wide Range Power Input DC-IN +12V ~ 24V DC-IN
- Extended operating temperature Max. from -20°C to 70°C

I/O Interface	USB 3.0	2x USB 3.2 Gen1
	USB 2.0	2x USB 2.0
	RS-232/422/485 Selectable via BIOS	COM 1 Selectable in BIOS
	RS-232	COM 2
	LAN	2x 2.5GbE
	Additional Graphics	2x DP
	Audio	1x Earphone , 1x Micphone
	Digital I/O	N/A
	Power Connector	DC-Jack with screw lock
	Power Button	Tact Switch
Power	Power Input Range	DC +12V~24V
Mechanical	Dimensions (mm)	259 x 178 x 48
	Net Weight (kgs)	2
Environmental	Operating Temperature	N97: -20°C~50°C (-4°F~122°F) N150: -20°C~70°C (-4°F~158°F) *with airflow x7835RE: -30°C~65°C (-22°F~149°F) *with airflow
	Storage Temperature	-30~80°C
	Storage Humidity	5%~90% @ 50°C (non-condensing)
	Certification	CE/FCC Class-B
	Supported Operating Systems	Microsoft Windows 10,11, Linux Kernel 4+
Construction	Chassis Material	Aluminum and SGCC
	Color (Front/Back)	Gray / Gray
	IP Rating	IP65 front-panel waterproof
	Mounting	VESA 100x100 mm, Panel Mount

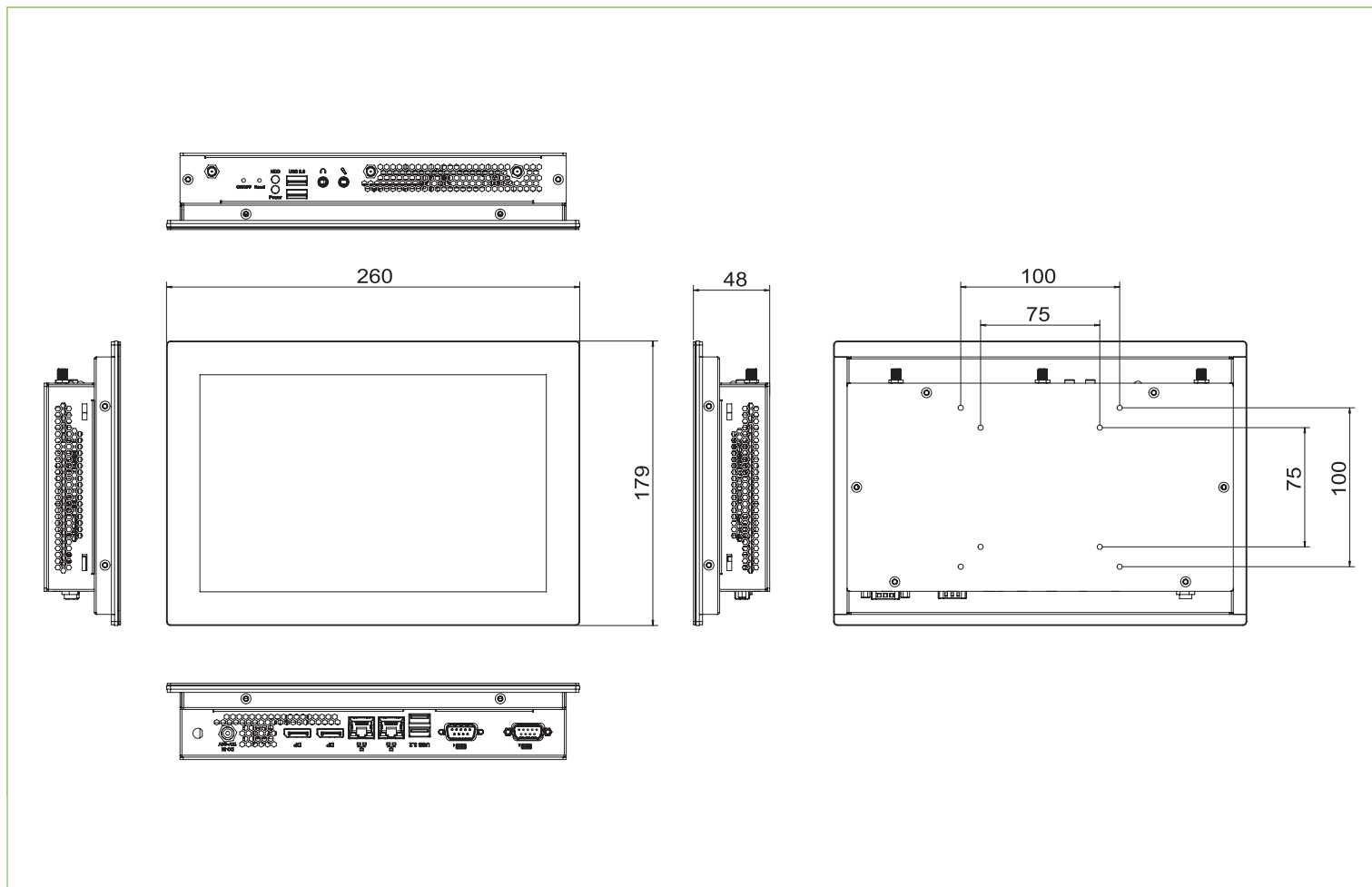
Rear External I/O



Front External I/O



Dimensions



Ordering Information

Model Number	CPU	Display	LAN	USB	COM Ports	Audio	M.2	Power Input	Note
IHPC-W101-N97	Intel® ATOM® N97 (Quad-Core)	2x DP	2x 2.5G	2x USB 3.2 2x USB 2.0	2	1x Earphone 1x Microphone	3	DC-IN +12~24V	-
IHPC-W101-N150	Intel® ATOM® N150 (Quad-Core)								
IHPC-W101-7433	Intel® ATOM® X7433RE (Quad-Core)								

Packing List

Part Number	Description	Qty.
-	IHPC-W101 Panel PC	1
D2MANUAL--0000100P	Manuals & Driver download instructions	1
A005PS050W0103000P	W/LOCK [FSP FSP050-DHAC3] 12V/50W	1
H06PNIPPC1210400AP	Panel Mount Nut	4

Optional Items

Part Number	Description	Qty.
A030PCEUR03000000P	EU AC Power Cord (183CM)	1
A030PCEN020100000P	UK AC Power Cord (183CM)	1
A030PCAM040100000P	US AC Power Cord (183CM)	1
A030PCJP050001000P	JP AC Power Cord (183CM)	1
H06Z01M201010000AP	M.2 2242 bracket adapter to M.2 3052	1

ID00H-215-IR

Outdoor Panel PC
21.5" Outdoor Sunlight Readable Panel PC
with Intel® Atom® Processor x6413E

Outdoor Series 21.5"



I/O View



Features

- Vandal-proof IK06 glass protection



- Sunlight readable
- Wireless support



- IP65 front-panel waterproof protection and IP33-rated chassis



- Automatic balance of panel brightness, air flow speed and system temperature balance system



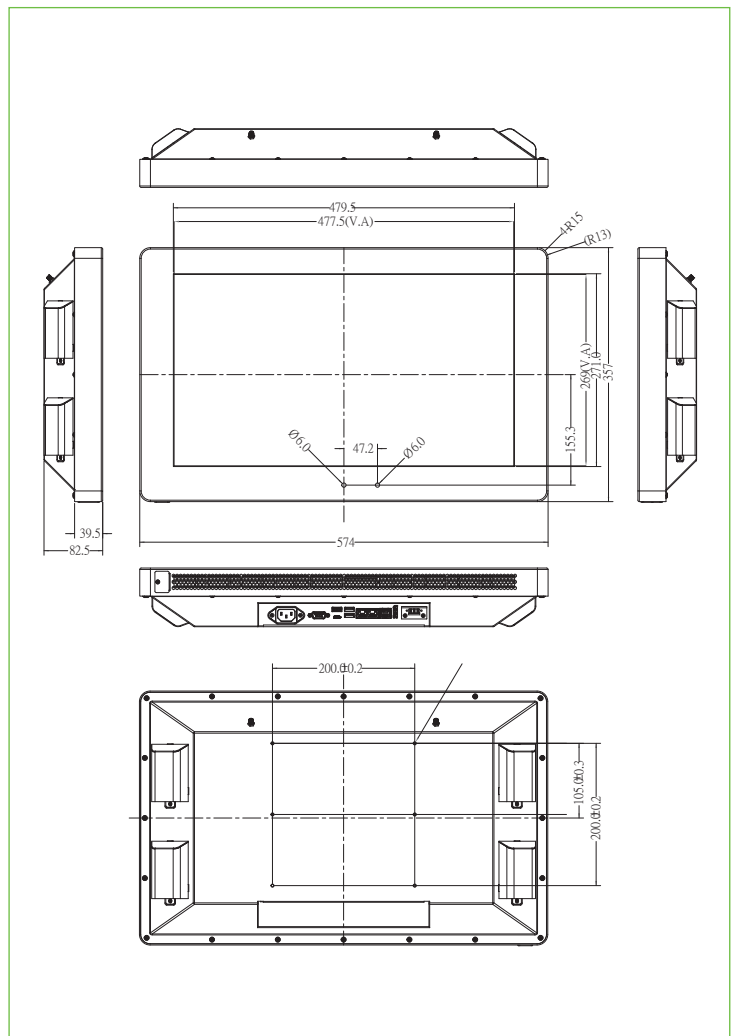
IDOOH-215-IR

Specifications

Display & Touch Screen	Display Size	21.5" TFT-LCD
	Max. Resolution	1920 x 1080
	Luminance (cd/m ²)	Up to 1200nits, default @75%
	Contrast	1000:1
	Max. Color	16.7M
	View Angle (H°/V°)	140/120
	Backlight Lifetime(hrs)	50000
	Touch Type	IR touch
	Touch Interface	USB
	Light Transmission (%)	88
Point of touch	Multi-Touch	
System	Processor	Intel® Atom® x6413E Processor 1.5M Cache, up to 3.00 GHz
	Memory	2x DDR4-3200 SO-DIMM, Max. 32GB
	Thermal Design	Fan
	Membrane Control	None
	Built-in Speaker/Mic	None
I/O Interface	USB 3.0	3x USB 3.1 (Type-A) 1x USB (Type-C)
	USB 2.0	N/A
	RS-232/422/485 Selectable in BIOS	1
	RS-232	0
	LAN	3x 2.5G GbE
	Additional Graphics	DP + Type-C (Alternate Mode)
	Audio	None
	Digital I/O	None
	Power Connector	AC inlet
	Power Button	None
Expansion	Internal Expansion Bus	1x M.2 (E-key, type:2230) 1x Mini PCIe / mSATA
	Expansion Slot	None
	Wireless	Optional Wi-Fi/BT
Storage Space	HDD	1x 2.5" SATA
	Removable	None
Power	Power Input Range	90V ~ 240V AC
Mechanical	Dimensions (mm)	574 x 357 x 82.5
	Net Weight (kgs)	7.5
Construction	Chassis Material	Aluminum front bezel, black Black SGCC + Aluminum chassis
	Color (Front/Back)	Black/Black
	IP Rating	IP65 front-panel waterproof protection
	Mounting	open-frame rack mounting VESA 200x200 and 200x100 mm

Environmental	Operating Temperature	-40°C~50°C (disable smart heater 0°C~50°C) Passed sunlight energy test: 44°C with 1120 W/m ² Built-in smart heater: When IDOOH-215-IR is turned on, it will heat to above 5°C, then booting and stop heating. If the IDOOH-215-IR operating is too cold it will automatically heat up again
	Storage Temperature	-20°C~60°C
	Storage Humidity	5%~90% @ 50°C, (non-condensing)
	Certification	CE/FCC Class-B
	Supported Operating Systems	Windows 10 / Linux Ubuntu

Dimensions



Ordering Information

IDOOH-215-IR	21.5" Outdoor Panel PC with IB836, Intel® Atom® Processor x6413E 3.0GHz, 16GB DDR4 SO-DIMM, 256G SSD, IR touch
--------------	--

ID00H-215-PC

Outdoor Panel PC
21.5" Outdoor Sunlight Readable Panel PC
with AMD Ryzen™ Embedded V1605B Processor

Outdoor Series 21.5"



I/O View

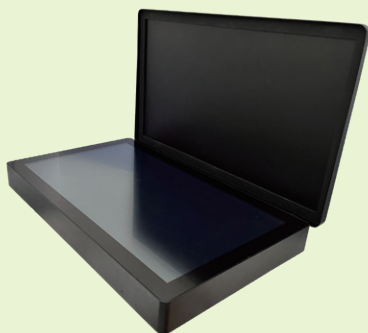


Features

- 21.5" true-flat FHD LCD panel with projected capacitive touchscreen
- Sunlight readable



- Protection front side lid design (Panel Cover)
- Fully IP65 waterproof protection
- Vandal-proof IK09 with lid



- M12 Waterproof connector



M12 17P connector,
integrated with LAN port
and DC-in

1x USB 2.0 Type A
water-proof screw
base and cap

1 x HDMI with water-proof
screw base and cap

- Automatic air flow speed and system temperature balance system



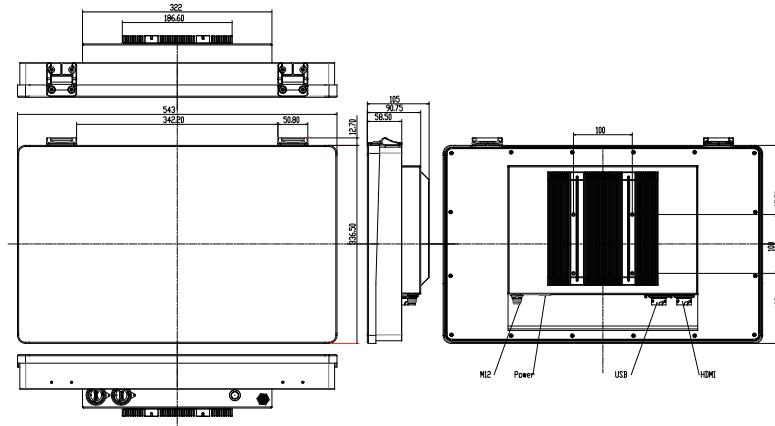
ID00H-215-PC

Display & Touch Screen	Display Size	21.5" TFT-LCD
	Max. Resolution	1920 x 1080
	Luminance (cd/m ²)	Up to 1300nits, before touch screen
	Contrast	3000:1
	Max. Color	16.7M
	View Angle (H°/V°)	178/178
	Backlight Lifetime(hrs)	50,000hrs
	Touch Type	Projected Capacitive Touch
	Touch Interface	USB
	Light Transmission (%)	> 70%
	Point of touch	10
System	Processor	AMD Ryzen™ Embedded V1605B (Quad-Core @ 3.6GHz)
	Memory	2x DDR4 SO-DIMM, up to 32GB, default DDR4 8GB (4GBx2)
	Thermal Design	Fan
	Membrane Control	None
	Built-in Speaker/Mic	None
I/O Interface	USB 3.0	None
	USB 2.0	1x USB 2.0 Type A water-proof screw base and cap
	RS-232/422/485 Selectable in BIOS	None
	RS-232	None
	LAN	1x M12 17P connector, integrated with LAN port
	Additional Graphics	1x HDMI with water-proof screw base and cap
	Audio	None
	Digital I/O	None
	Power Connector	AC inlet
	Power Button	IP67 push button
Expansion	Internal Expansion Bus	1x M.2 (M-key, type:2280, NVMe)
	Expansion Slot	1x M.2 (E-key, type:2230)
	Wireless	None
Storage Space	HDD	1x 2.5" SATA
	Removable	None
Power	Power Input Range	90V ~ 240V AC
Mechanical	Dimensions (mm)	543 x 349.2 x105 (w/ Lid) 535 x 329 x 98.5 (w/o Lid)
	Net Weight (kgs)	8.1(w/ Lid)
Construction	Chassis Material	Aluminum chassis
	Color (Front/Back)	Black/Black
	IP Rating	IP65 waterproof protection
	Mounting	VESA 100x100mm
Environmental	Operating Temperature	-5°C~45°C
	Storage Temperature	-20°C~80°C
	Storage Humidity	10%~90% @40°C (non-condensing)
	Certification	CE/FCC Class-B
	Supported Operating Systems	Windows 10 IoT core/ Linux 4.X+ kernel

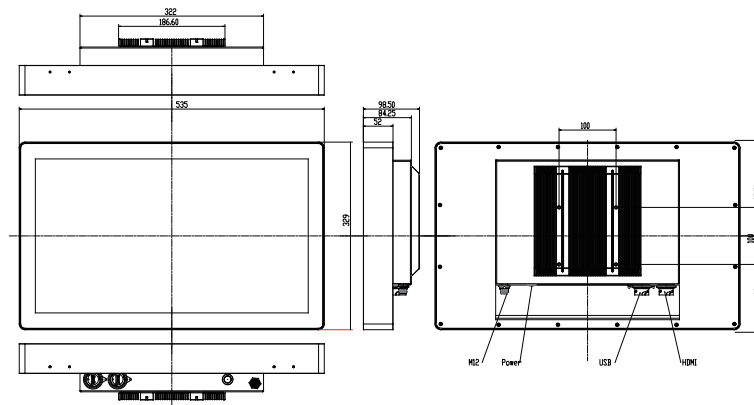
IDOOH-215-PC

Dimensions

IDOOH-215-PC with Panel Cover



IDOOH-215-PC_without Panel Cover



Ordering Information

IDOOH-215-PC

21.5" 1,300 nits 21.5" Panel PC, AC Adaptor 19V 120W, 220CM M12 Cable for DC-in and RJ45
AMD Ryzen™ Embedded V1605B Processor 2.0Ghz, projected touch, DDR4 8GB, 64GB 3DTLC SATA3 SSD

INOSP-152-RE / INOSP-192-RE

Stainless Steel Panel PC
Fanless Stainless Steel Panel PC
with Intel® Atom® Processor E3845

INOSP Series 15" 19"



I/O View



INOSP-152-RE-F/INOSP-192-RE-F
(Full Function)

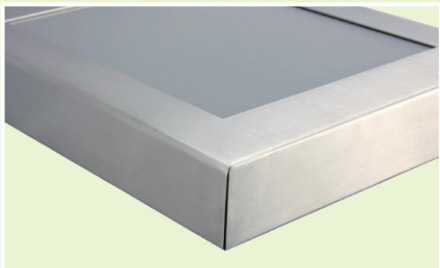


INOSP-152-RE/ INOSP-192-RE (Standard)

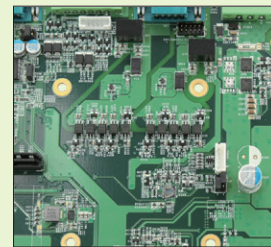
Features

Special model-By request, MOQ 20pcs

- Fanless design
- Resistive/ Projected capacitive (19" model) touch
- Durable stainless steel housing
- Low power consumption processor



- Wide-range 10V~30V DC power input
- USB 3.0 (optional)



- M12 I/O ports



INOSP-152-RE / INOSP-192-RE

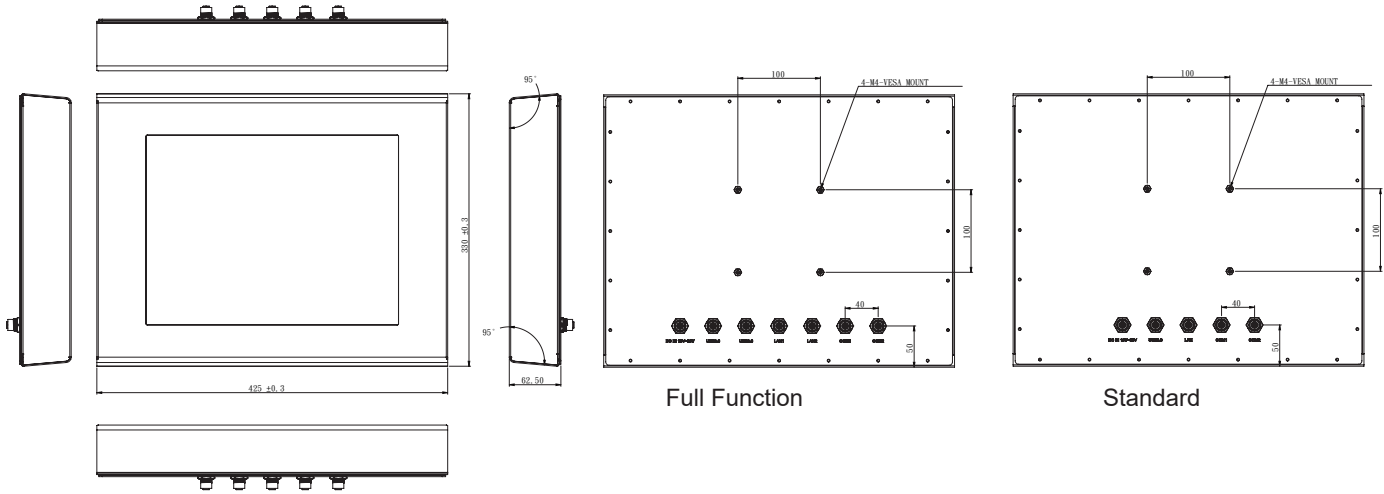
Specifications

Model No.		INOSP-152-RE(-F)	INOSP-192-RE(-F)
Display & Touch Screen	Display Size	15" TFT-LCD	19" TFT-LCD
	Max. Resolution	1024 x 768	1280 x 1024
	Luminance (cd/m ²)	500	350
	Contrast	800 : 1	1000 : 1
	Max. Color	16.2M	16.7M
	View Angle (H°/V°)	160/160	170/160
	Backlight Lifetime(hrs)	50,000	
	Touch Type	Resistive	
	Touch Interface	USB	
	Light Transmission (%)	80	
	Point of touch	1	
System	Processor	Intel® Atom® Processor E3845 1.91GHz	
	Memory	2x DDR3L SO-DIMM, up to 8GB, default 4GB	
	Thermal Design	Fanless	
	Membrane Control	None	
	Built-in Speaker/Mic	None	
I/O Interface	USB 3.0	optional (M12)	
	USB 2.0	1 (M12)	
	RS-232/422/485 Selectable in BIOS	1 (M12)	
	RS-232	1 (M12)	
	LAN	1x GbE (M12) Second LAN (option)	
	Additional Graphics	None	
	Audio	None	
	Digital I/O	None	
	Power Connector	M12 connector	
	Power Button	None	
Expansion	Internal Expansion Bus	1x Mini PCIe(x1) [full/half-size] 1x Mini PCIe(x1) [half-size]	
	Expansion Slot	None	
	Wireless	None	
Storage Space	HDD	1x 2.5" SATA	
	Removable	None	
Power	Power Input Range	10V~30V DC	
Mechanical	Dimensions (mm)	425 x 330 x 62.5	470 x 390 x 62.5
	Net Weight (kgs)	13.5	17
Construction	Chassis Material	304 stainless steel / 316 stainless steel (option)	
	Color (Front/Back)	Silver / Silver	
	IP Rating	IP65 / IP69K	
	Mounting	VESA 75x75mm and 100x100mm	
Environmental	Operating Temperature	0°C ~ 50°C	
	Storage Temperature	-20°C ~ 60°C	
	Storage Humidity	10%~90% (non-condensing)	
	Certification	CE/FCC Class-B and LVD	
	Supported Operating Systems	Windows 10/ Windows 8 32-bit/64-bit, Windows 7 Pro for Embedded 64-bit, WES7 64-bit	

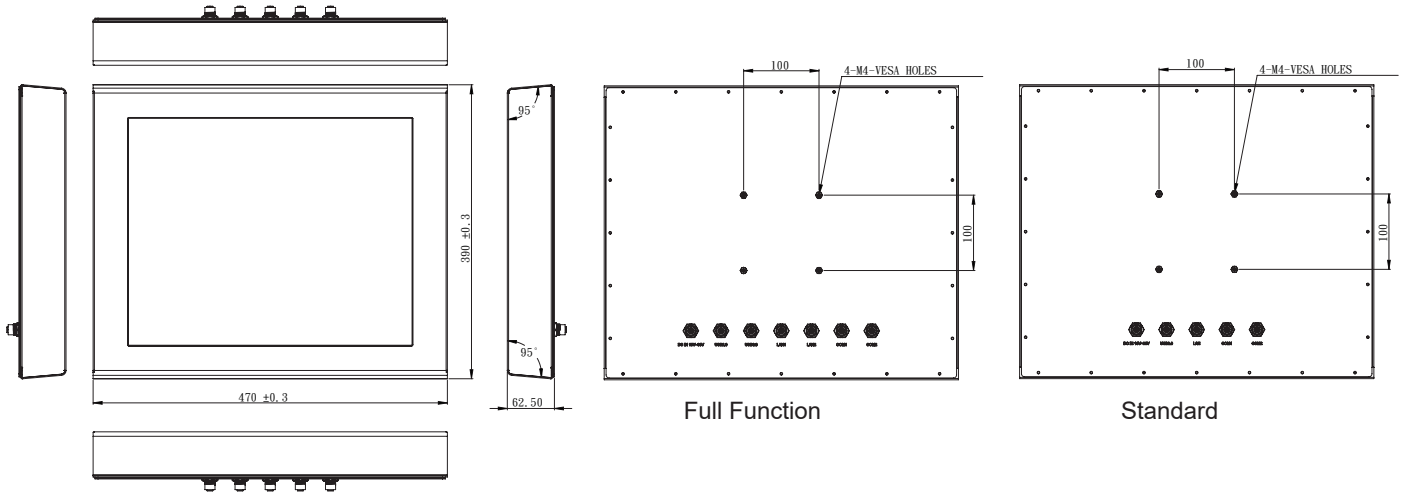
INOSP-152-RE / INOSP-192-RE

Dimensions

INOSP-152-RE



INOSP-192-RE



Ordering Information

INOSP-152-RE	15" Stainless Steel Panel PC with IB897-I45P, Intel® Atom® Processor E3845 1.91 GHz, 4GB DDR3L SO-DIMM, 64G SSD, resistive touch
INOSP-192-RE	19" Stainless Steel Panel PC with IB897-I45P, Intel® Atom® Processor E3845 1.91 GHz, 4GB DDR3L SO-DIMM, 64G SSD, resistive touch



Edge I/O

- M23 connector AC input
- 4-pin M12 connector DC output (4-pin definition: +/-/G/earth ground)

Power

Power Supply 90V ~ 240V AC input
 24V DC output @ 3.75mA

Construction

Chassis 304 stainless steel / 316 stainless steel for optional
 Mounting Wall mount
 Protection Class Full IP56 protection

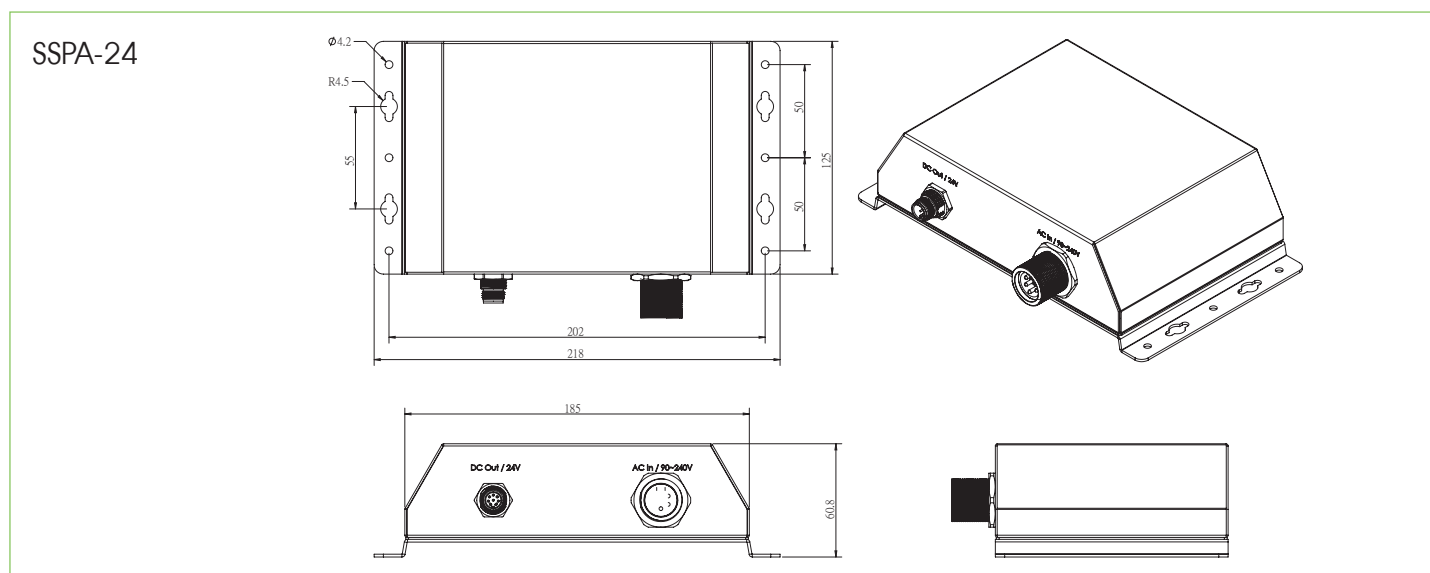
Environmental

Temperature	Operating: 0°C~ 50°C (Max. 80W at 50°C) Storage: -40°C~85°C
Humidity	10%~90% (non-condensing)
Regulation	RoHS
Certification	CE/FCC Class-A

Accessories

- Wall mount kits
- 1x power cable M23/3P L=5m
- 1x power cable M12 4P L=2m
- Power connector for U.S. regulation (optional)
- Power connector for EU regulation (optional)
- Power connector for Australian regulatory (optional)

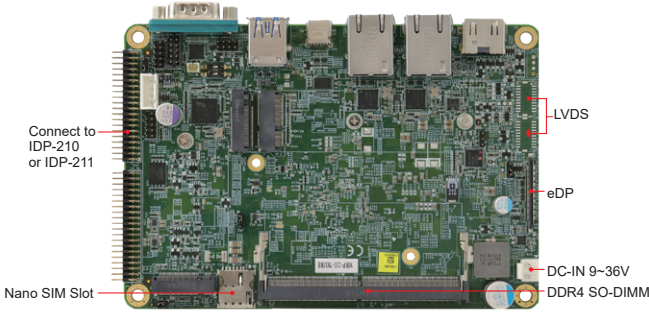
Dimensions



MBP-210

Motherboard for Panel PC

Panel PC Motherboard with Intel formerly Alder Lake-N / Amston Lake / Twin Lake platform

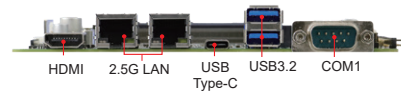


Specifications

Processor	Intel® Core™ 3 N355, Core™ i3-N305, Atom® N97, N150, x7835RE
PCH	None
Memory Types	1x DDR5 SO-DIMM socket, Max. 16GB
BIOS	AMI
Watchdog Timer	256 level
H/W Monitor	Yes
Storage Device Interface	1x M.2 2280 (PCIe x1 and SATA III interface)
Mini Type Slots	1x M.2 3052 1x M.2 2230
Graphics Controller	Intel® SoC integrated graphics
Video Output	24-bit dual-channel LVDS/eDP 2 Lanes HDMI port USB Type-C with DP Alternate mode
Ethernet	2x Intel® I226V 2.5GbE
I/O Chip	Fintek F81966D
Serial Port	1x RS232/422/485 (Jumper-less selection) 1x RS232 COM3~6: RS-232 at 40pin header
USB 2.0	1x USB 2.0 at 40pin header One onboard 4-pin connector
USB 3.0/ USB 3.1	One stack connector for 2x USB 3.2 at edge USB Type-C with DP Alternate mode (w/ IDP-210 or 211 PD 60W; w/o 15W)
Serial ATA	None
Audio	None
TPM	Infineon SLB9665
Features	19VDC-in with short protection, PCIe x4 expansion, smart battery support
Dimensions (L x W)	102mmx 147mm (4" x 5.8")
Power Consumption	Intel® i7-6600U with 2x 4GB DDR4 -2133 @ 12V/3.5A
Operating Temperature	-30°C~70°C
Storage Temperature	-40°C~80°C
Relative Humidity	0~90% (Non-condensing @ 60°C)

Features

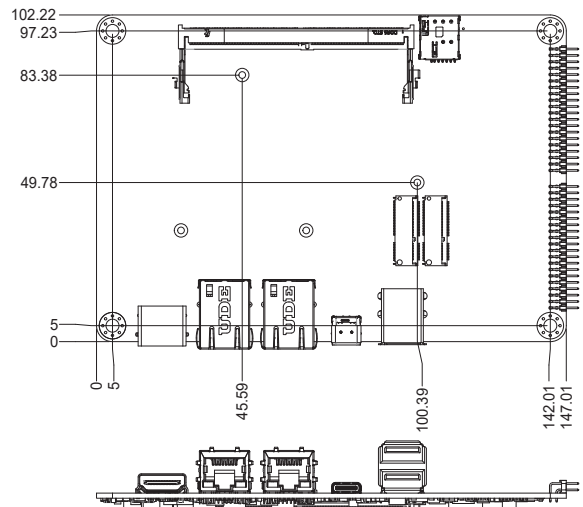
- Intel® Atom® x7000E Series / N-series / Core™ i3-N305 Processors (formerly Alder Lake-N / Amston Lake / Twin Lake)
- 2x COM, COM1 RS232/422/485 select by BIOS
- USB Type-C with DP Alternate mode and 2x USB 3.2
- Supports M.2 (2230) sockets for Wi-Fi / BT and M.2 (3052) 4G/5G communication with Nano SIM slot
- Supports TPM 2.0 hardware security
- 9V~36V DC wide-range power input
- Extended operating temperature Max. from -30°C to 70°C



Ordering Information

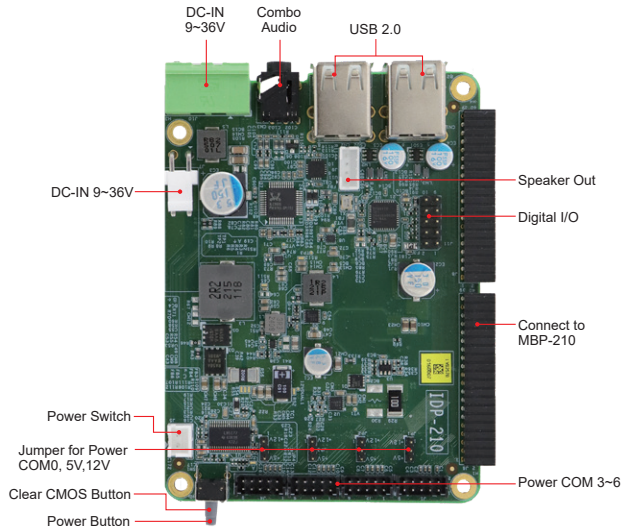
MBP-210-N97	Intel® Atom® N97 SoC onboard 3.5-inch SBC, w/ 2x 2.5GbE LAN, 1x HDMI, LVDS, 2x COM, 3x M.2, TPM, 2x USB 3.2, USB-C, EuP/ErP, +9V~36V DC-in
MBP-210-N305	Intel® Core™ i3 N305 SoC onboard 3.5-inch SBC, w/ 2x 2.5GbE LAN, 1x HDMI, LVDS, 2x COM, 3x M.2, TPM, USB 3.2, USB-C, EuP/ErP, +9V~36V DC-in
MBP-210-x7835	Intel® Atom® x7835RE SoC onboard 3.5-inch SBC, w/ 2x 2.5GbE LAN, 1x HDMI, LVDS, 2x COM, 3x M.2, USB 3.2, USB-C, TPM, EuP/ErP, +9V~36V DC-in
MBP-210-N150	Intel® Atom® N150 SoC onboard 3.5-inch SBC, w/ 2x 2.5GbE LAN, 1x HDMI, LVDS, 2x COM, 3x M.2, TPM, USB 3.2, USB-C, EuP/ErP, +9V~36V DC-in
MBP-210-N355	Intel® Core™ 3 N355 SoC onboard 3.5-inch SBC, w/ 2x 2.5GbE LAN, 1x HDMI, LVDS, 2x COM, 3x M.2, TPM, USB 3.2, USB-C, EuP/ErP, +9V~36V DC-in
MBP-210-N150E	Intel® Atom® N150 SoC onboard 3.5-inch SBC, w/ 2x 2.5GbE LAN, 1x HDMI, eDP, 2x COM, 3x M.2, TPM, USB 3.2, USB-C, EuP/ErP, +9V~36V DC-in
MBP-210-N355E	Intel® Core™ 3 N355 SoC onboard 3.5-inch SBC, w/ 2x 2.5GbE LAN, 1x HDMI, eDP, 2x COM, 3x M.2, TPM, USB 3.2, USB-C, EuP/ErP, +9V~36V DC-in
IDP-210	4x USB 2.0, ALC888 Audio for Combo Jack, 2W Stereo Speaker out, 4x DI, 4x DO, COM3, COM6 (Jumper select 0.5V, 1.2V), Power and Clear CMOS Button, USB-C PD 60W, +9V~36V DC-in
IDP-211	4x USB 2.0, 4x DI, 4x DO, Power and Clear CMOS Button, USB-C PD 60W, +19V~24V DC-in

Dimensions



IDP-210

Motherboard for Panel PC MBP-210 Daughter Board



Features

- 6 Layer PCB
- LED Power indicator
- 4x USB 2.0
- ALC888 Audio for Combo Jack, 2W Stereo Speaker out
- 4x DI, 4x DO
- COM3,6 (Jumper select 0,5V,12V)
- Power and Clear CMOS Button
- USB-C PD 60W
- DC-in +9V~36V
- Size : 102 x 70mm

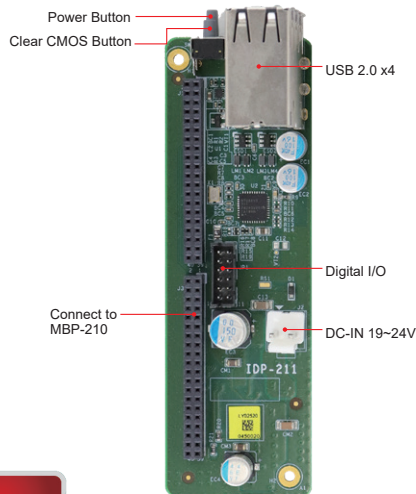
Ordering Information

IDP-210

4x USB 2.0, ALC888 Audio for Combo Jack, 2W Stereo Speaker out, 4x DI, 4x DO, COM3,6 (Jumper select 0,5V,12V), Power and Clear CMOS Button, USB-C PD 60W, +9V~36V DC-in

IDP-211

Motherboard for Panel PC MBP-210 Daughter Board



Features

- 6 Layer PCB
- LED Power indicator
- 4x USB 2.0
- 4x DI, 4x DO
- Power and Clear CMOS Button
- USB-C PD 60W
- DC-in +19V~24V
- Size : 102 x 32mm

Ordering Information

IDP-211

4x USB 2.0, 4x DI, 4x DO, Power and Clear CMOS Button, USB-C PD 60W, +19V~24V DC-in

UMT-7212

Medical Panel PC

21.5" Medical Panel PC
with 6th Gen Intel® Core™ i5-6300U Processor

Medical Series

21.5"



I/O View



Features

- EN 60601-1 Certified
- Projected capacitive touch screen



- PCIe (x4) expansion card support



- Capacitive control keypad for power / brightness / volume



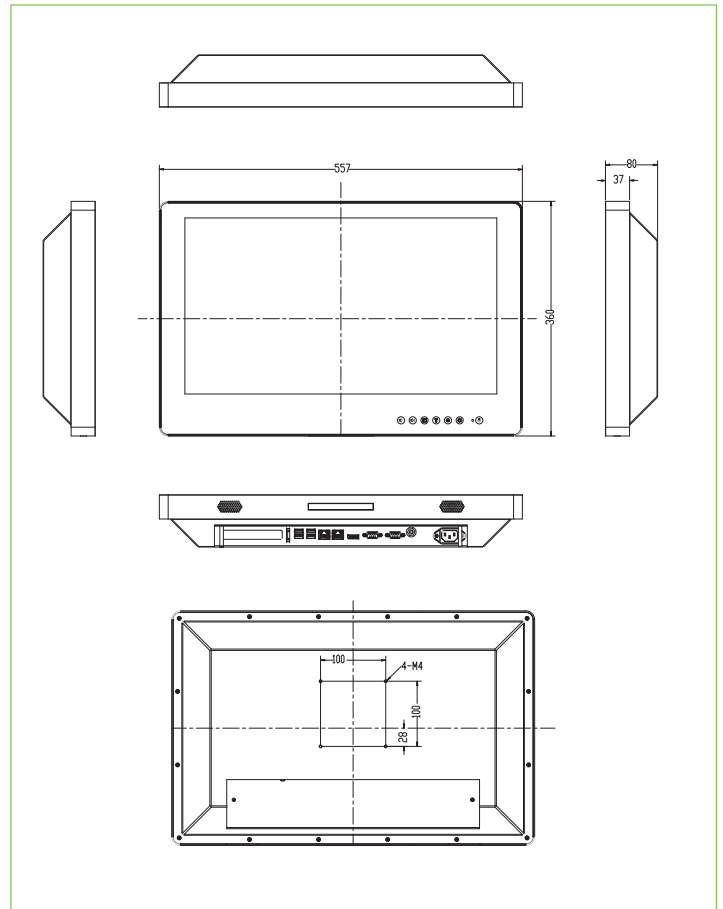
- IP65 front-panel waterproof protection



Specifications

Display & Touch Screen	Display Size	21.5" TFT-LCD	
	Max. Resolution	1920 x 1080	
	Luminance (cd/m ²)	300	
	Contrast	1000:1	
	Max. Color	16.7M	
	View Angle (H/V)	178° /178°	
	Backlight Lifetime(hrs)	30000	
	Touch Type	Projected capacitive	
	Touch Interface	USB	
	Light Transmission (%)	87	
	Point of touch	Up to 10	
	System	Processor	Intel® Core™ i5-6300U 2.4GHz
		Memory	2x DDR4-2133 SO-DIMM, default 4GB (1x 4GB)
		Thermal Design	Fanless
Membrane Control		Capacitive keys for Power on-off/Brightness up/down/ Volume up/down/Touch on-off/ Reading light on-off	
Built-in Speaker/Mic		IP54 speaker	
I/O Interface	USB 3.0	2	
	USB 2.0	2	
	RS-232/422/485 Selectable in BIOS	1 (4KV isolated)	
	RS-232	1 (4KV isolated)	
	LAN	2x GbE (4KV isolated)	
	Additional Graphics	DP	
	Audio	None	
	Digital I/O	None	
	Power Connector	IEC60320 C14	
	Power Button	Capacitive-type power button with LED indicator in front bezel	
	Expansion	Internal Expansion Bus	1x M.2 Type 2230 socket 1x Mini PCIe full-size socket
Expansion Slot		1x PCIe (x4)	
Wireless		Optional	
Storage Space	HDD	1x 2.5" SATA, default 64G SSD 1x M.2 SSD	
	Removable	None	
Power	Power Input Range	90V AC-240V AC Optional internal backup battery for 15-min operation	
Mechanical	Dimensions (mm)	557 x 360 x 80	
	Net Weight (kgs)	6.7	
Construction	Chassis Material	Aluminum + Sheet metal with white powder coating	
	Color (Front/Back)	Medical White	
	IP Rating	IP65 rated front bezel / IP54 (except I/O side)	
	Mounting	VESA 100mm x 100mm	
Environmental	Operating Temperature	0°C ~40°C	
	Storage Temperature	-20°C ~ 60°C	
	Storage Humidity	10%~ 95% (non-condensing)	
	Certification	CE/FCC Class-B and LVD EN 60601-1: 2006 + A1: 2013(IEC 60601-1: 2012 reprint) EN 60601-1-2:2015 (IEC 60601-1-2:2014)	
	Supported Operating Systems	Windows 10 64-bit	

Dimensions



Ordering Information

UMT-7212	21.5" Medical Panel PC with MBM-7001, 6th Gen Intel® Core™ i5-6300U processor, 4GB DDR4 SO-DIMM, 64G SSD, projected capacitive touch, 90V~240V AC power input
optional battery	3S1P backup battery for 15-minute operation
optional LED light	IDM101 LED reading light
optional Wi-Fi set	Optional Intel® M.2 7265 Wi-Fi module with external antenna

