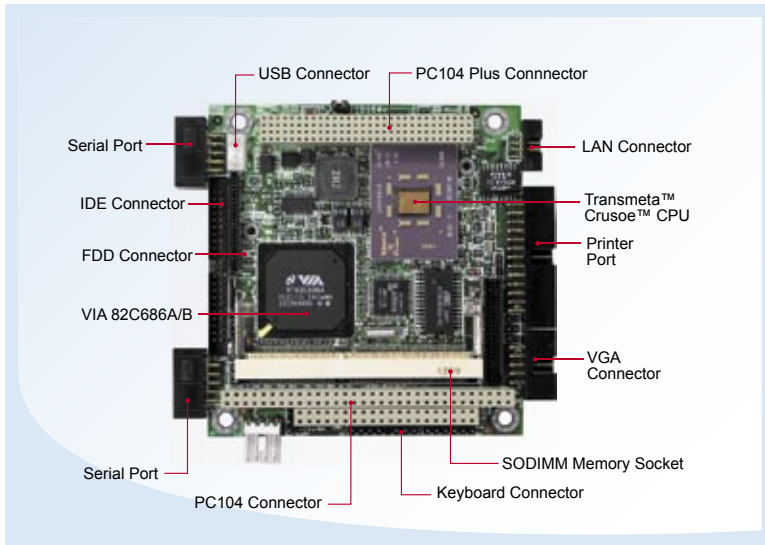


PC/104 Plus IB104+

Transmeta™ Crusoe™ PC/104 Plus CPU Module

Transmeta™ Crusoe™-Based



>> Features

- Embedded Transmeta™ Crusoe™ processor
533MHz to 1GHz, 66MHz FSB
- SDR SO-DIMM x 1, max. 256MB
- C&T 69000 mini-BGA VGA, 2MB memory
- Intel® 82559 10/100 BaseT Ethernet
- Watchdog timer, ACPI, 1 x USB 1.1 ports

System

CPU	Transmeta™ Crusoe™ TM5400/5800, up to 1GHz
System Memory	SDR SODIMM x 1, max. 256MB
System Chipset	Transmeta™ Crusoe™ + VIA VT82C686B, 66MHz FSB
BIOS	Award 2Mbit
Watchdog Timer	32 levels
SSD	N/A
H/W Monitor	Yes
Expansion Slot	PC/104, PC/104+

Graphics

VGA Controller	C&T 69000
VGA Memory	2MB embedded
LCD Interface	24-bit LVDS 24-bit TTL

Ethernet

LAN Controller	1 Intel® 82559, 10/100Mbps
Connector	Pin header for RJ-45

Multi I/O

Chipset	VT82C686B 2x IDE (UDMA33), 1x FDD, 1x KB, 1x Mouse 2x RS-232, 1x LPT
USB	1 port (USB 1.1)
Audio	Pin header

Mechanical and Environmental

Dimensions	96mm x 90mm (3.78" x 3.54")
Max. Power Requirement	TM5800, 128MB SDRAM +5V: 2.29A +12V: 2.21A
Operating Temperature	0°C~60°C (32°F~140°F)
Storage Temperature	-20°C~80°C (-68°F~176°F)
Relative Humidity	10%~90% (non-condensing)

Ordering Information

IB104+5A	Transmeta™ Crusoe™ 533MHz PC/104 Plus CPU Module w/ 64MB SDRAM, 2MB VGA and 10/100 Ethernet
IB104+8B	Transmeta™ Crusoe™ 800MHz PC/104 Plus CPU Module w/ 128MB SDRAM, 2MB VGA and 10/100 Ethernet
IB17	Cable kit for IB104+ series
IBD	RJ45 cable with bracket

Remarks:

* IB104+ series is available with different speeds (up to 1GHz) and memory size (64/128/256MB SDRAM) on board.