



Features

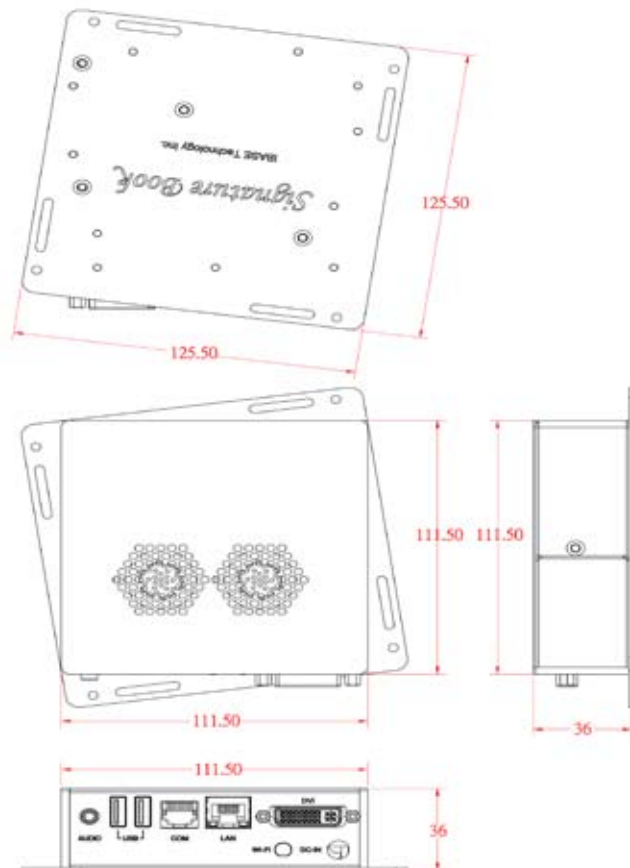
- AMD Embedded G-Series APU (dual-core)
- Integrated 80 Core DirectX 11 GPU in processor
- iSMART - for auto-scheduler and power resume
- Supports DDR3 1333MHz memory, up to 4GB
- mPCIe(x1) slots for WiFi + Bluetooth options
- One RS232 serial port
- Compact design

Specifications

| | |
|-----------------------------|--|
| System Mainboard | EB900-16-SI |
| CPU Type | AMD G-Series Dual-Core APU (Accelerated Processing Unit): T56N=1.65GHz @ 18W TDP |
| CPU Package | 413-BGA |
| Chipset | AMD A50M Controller Hub |
| Memory | DDR3-1333 |
| Graphics | AMD Radeon HD6320 series graphics processing system integrated in APU <ul style="list-style-type: none"> • DirectX 11 • Direct Compute 11 • Open GL 4.0 • OpenCL 1.1 • UVD3 Hardware Video Decoder – MPEG2, MPEG4, H.264, VC-1, WMV9 • Hybrid-DVI connector supporting CRT, DVI, or HDMI devices |
| LAN | 1x Realtek RTL8111C PCI-E Gigabit LAN controller |
| Expansion Slots | 1x mPCIe(x1) slots for optional WiFi + Bluetooth board |
| I/O Interface | 1x Hybrid-DVI (supports CRT, DVI or HDMI) 2x USB 2.0 ports 1x RJ45 for Gigabit LAN 1x RJ45 for RS232 serial port 1x Microjack audio connectors for Line-in or Line-out |
| Auto Control and Monitoring | Watchdog Timer: 256 segments, 0, 1, 2...255 (sec/min) On / Off scheduler: 2 time slots |
| Power Requirement | +12V DC-in |
| Construction | Aluminum |
| Weight | 0.8Kg (1.76lbs) |
| Chassis Color | Black & White |
| Storage | 1x 2.5" HDD drive bay |
| Power Supply | 60W power adaptor |
| Mounting | Slim design with wall mounting holes |
| Dimensions | 125mm(W) x 125mm(D) x 36mm(H) |
| Operating Temperature | 0°C~ 40°C (32°F~104°F) |
| Storage Temperature | -20° ~ 80°C (-4°F~176°F) |
| Relative Humidity | 5~90% @ 45°C, (non-condensing) |
| Vibration | SSD: 5 grms / 5~500Hz / random operation HDD: 0.25 grms / 5~500Hz / random operation |

Ordering Information

| | |
|------------|---|
| SI-18 | Signage System w/ AMD T56N APU 1.65GHz, 2GB RAM, 160GB HDD, 60W power adaptor |
| SI-18-VESA | SI-18 VESA mounting kit |



1 eFlex Platform

2 Motherboards

3 Disk-Size SBCs

4 CPU Modules

5 PC/104 Plus

6 CPU Cards

7 Embedded Systems

8 Network Security Appliance